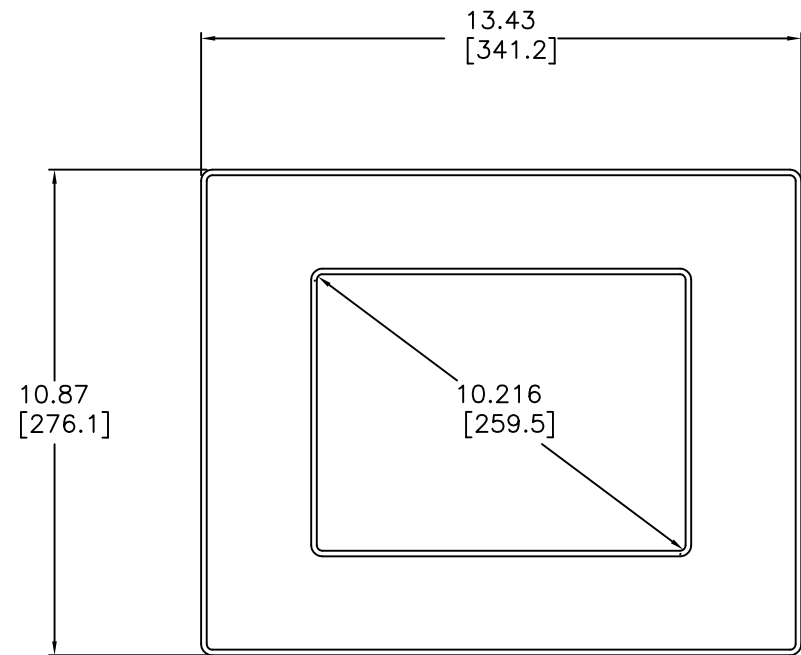
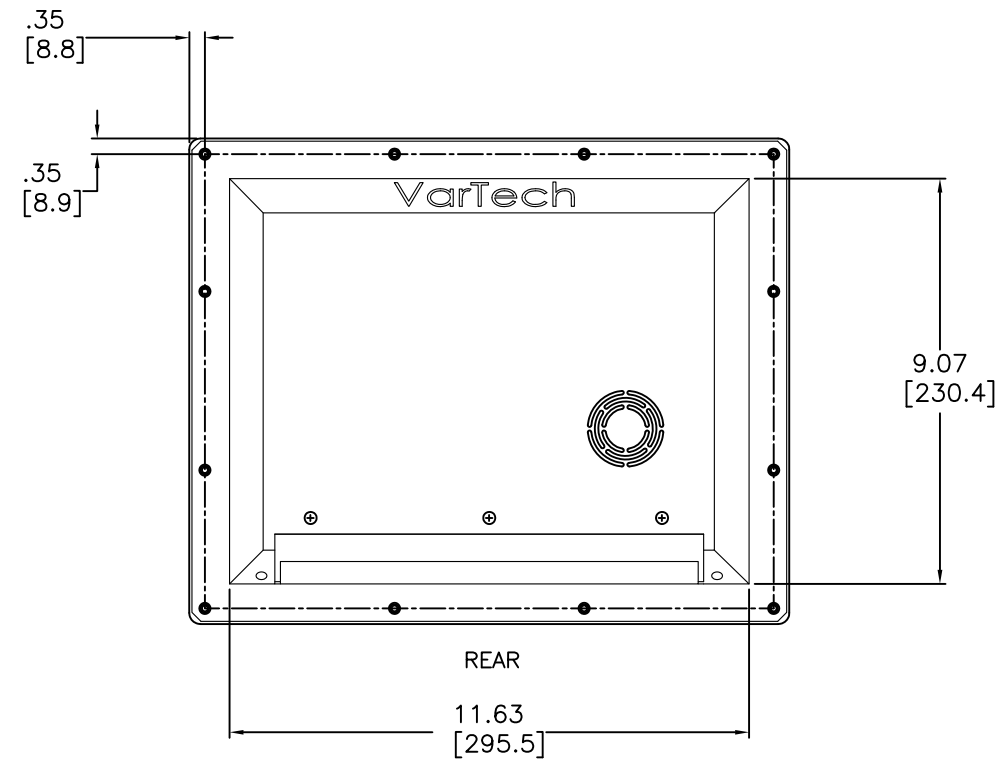
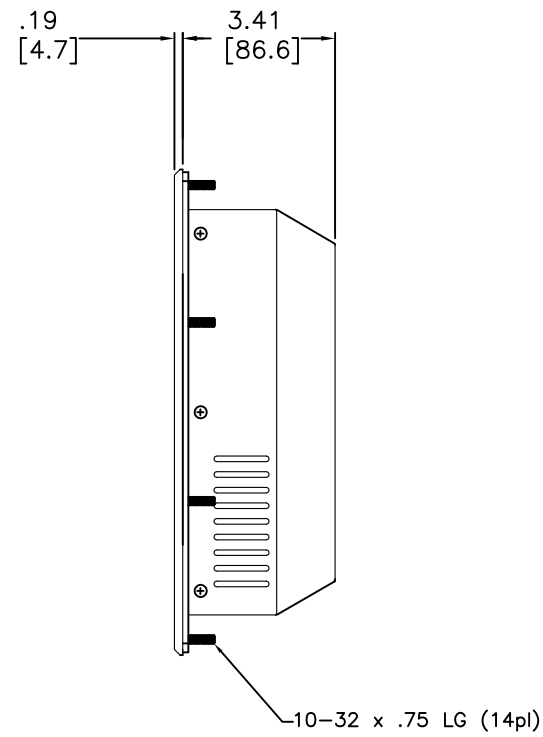


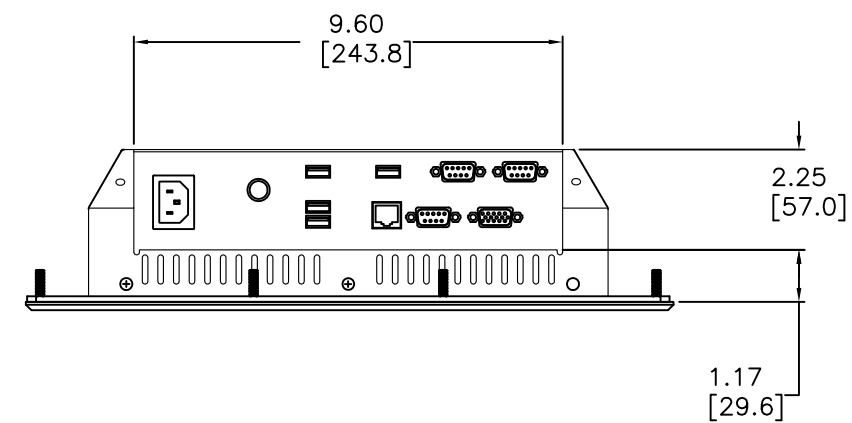
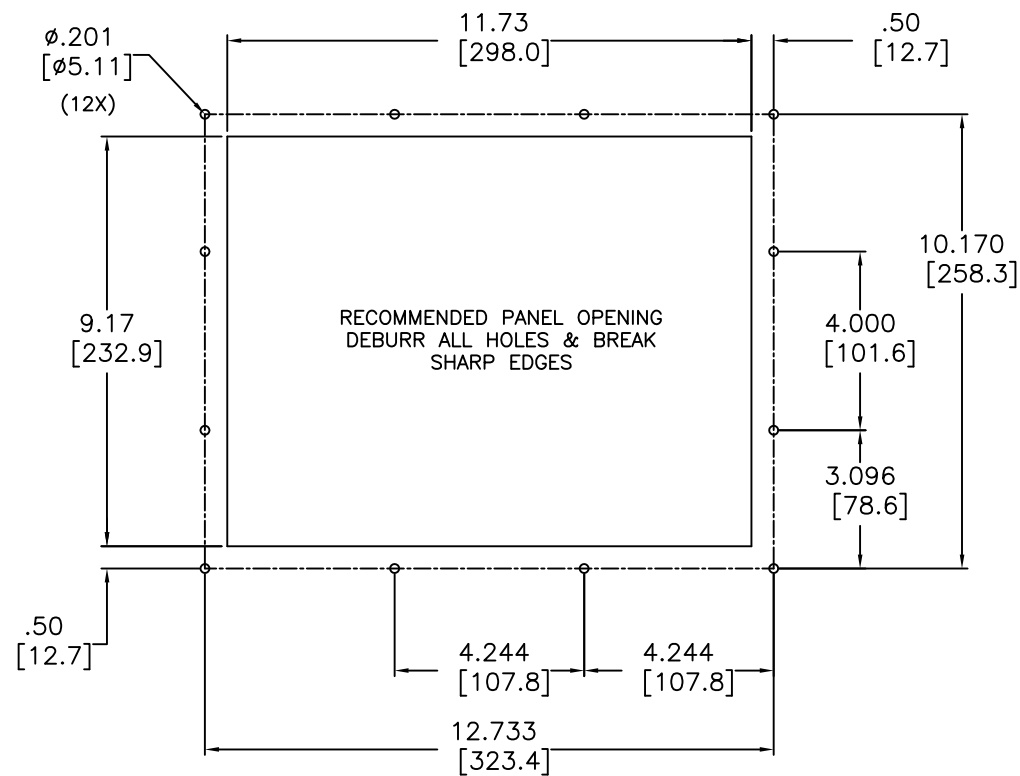
CHANGE HISTORY		
FILE INDEX	DESCRIPTION	APPROVAL INITIAL DATE



FRONT



REAR



ITEM	QTY	MFR. PT.NO.	DESCRIPTION	SYM/NOTE
LIST OF MATERIALS				
UNLESS OTHERWISE SPECIFIED DIMENSIONS ARE IN INCHES AND APPLY BEFORE FINISH SURFACE ROUGHNESS .125/ TOLERANCE ON FRACTIONS DECIMALS ANGLES ± 1/64 ±.XX=.02 ± 1/2		DRAWN SAH	DATE 10/12/2009	 VARTECH SYSTEMS 10.4"VTPC100PSS C1-D2 CERTIFIED
MATERIAL		CHECKED		
FINISH		DRAFTING		
APPLICATION		ENGINEER		
VTPC100PSS		MANUF		SIZE D DWG NO. 482-0055-00 REV 00
USED ON		APPROVED		
		QA		SCALE SHEET 1 OF 1