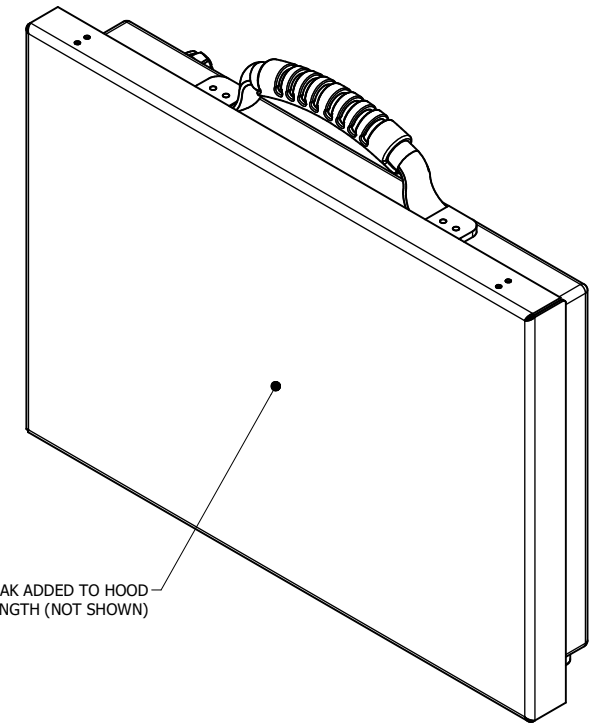
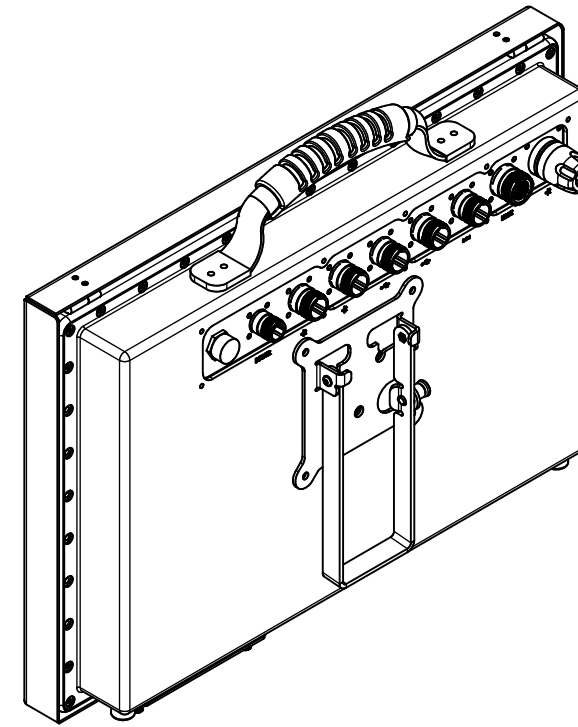
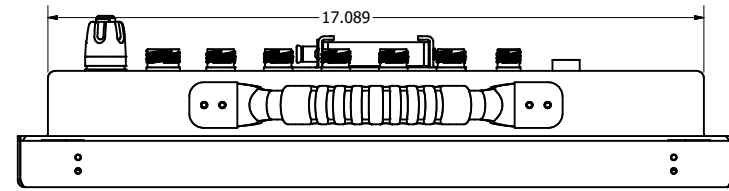
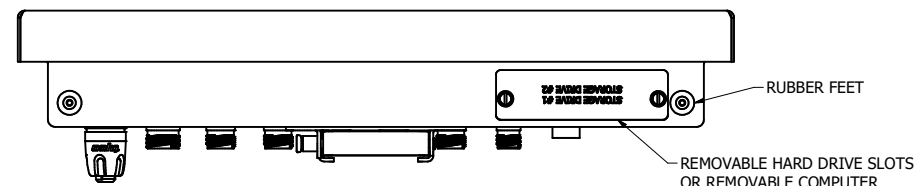
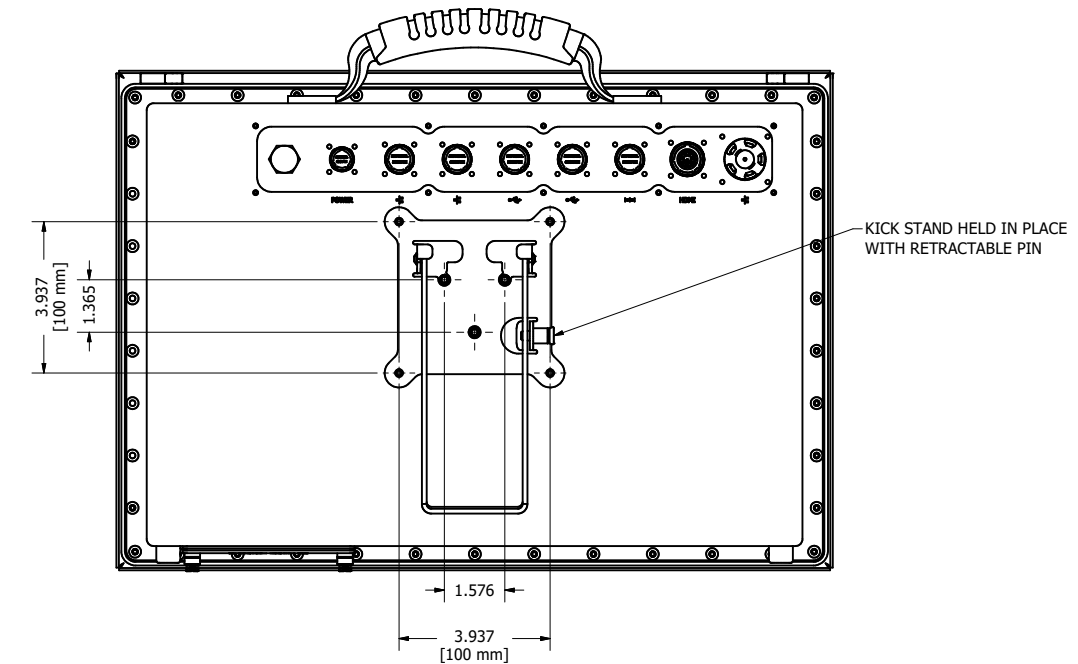
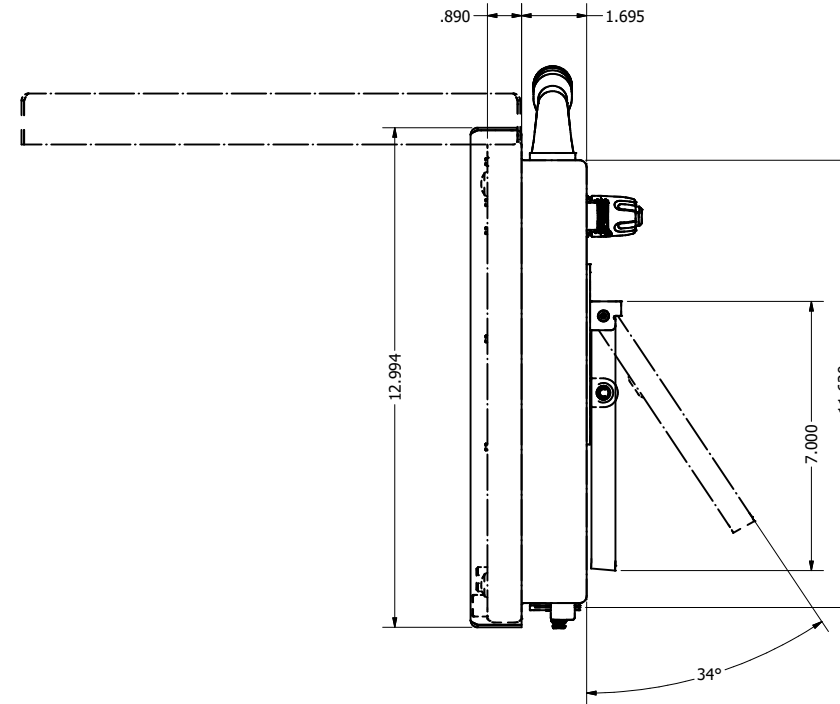
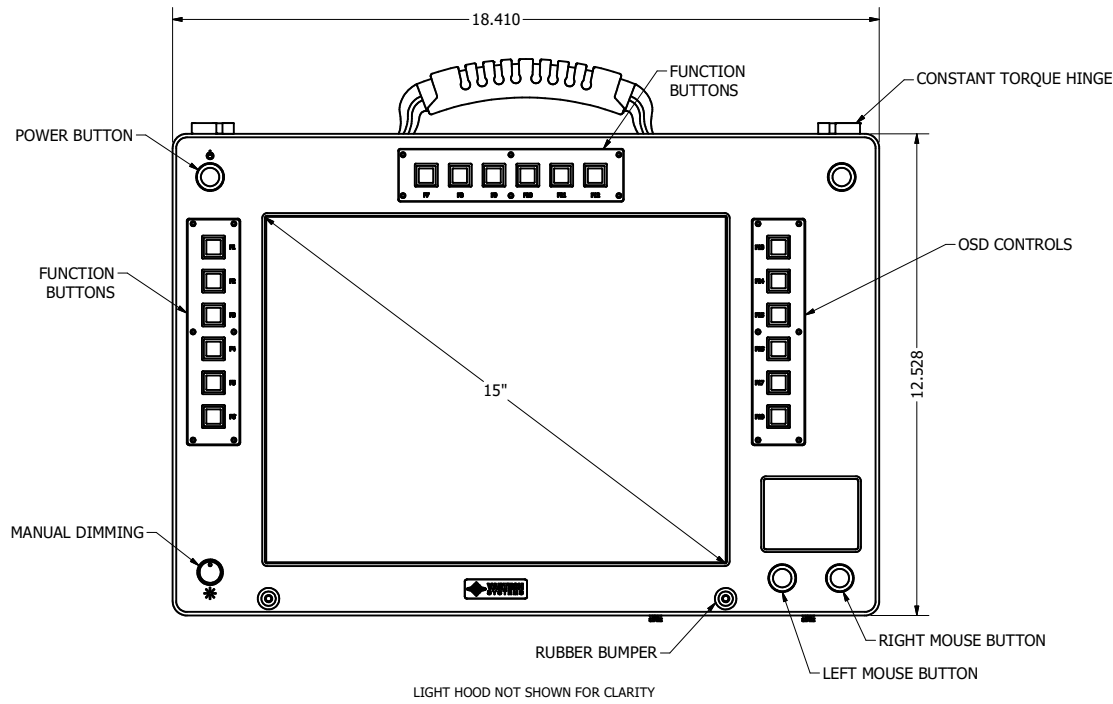


# 15.0" FIELDSTATION PANEL COMPUTER

REVISION HISTORY			
REV	DATE	INITIALS	DESCRIPTION
00	10/8/2020	JAC	INITIAL RELEASE



CROSS BREAK ADDED TO HOOD FOR STRENGTH (NOT SHOWN)

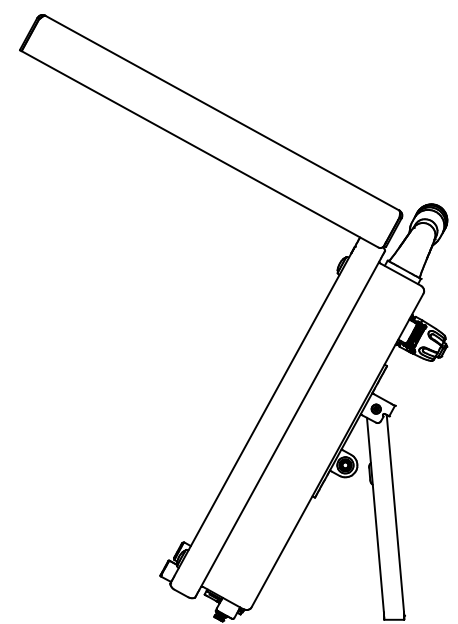
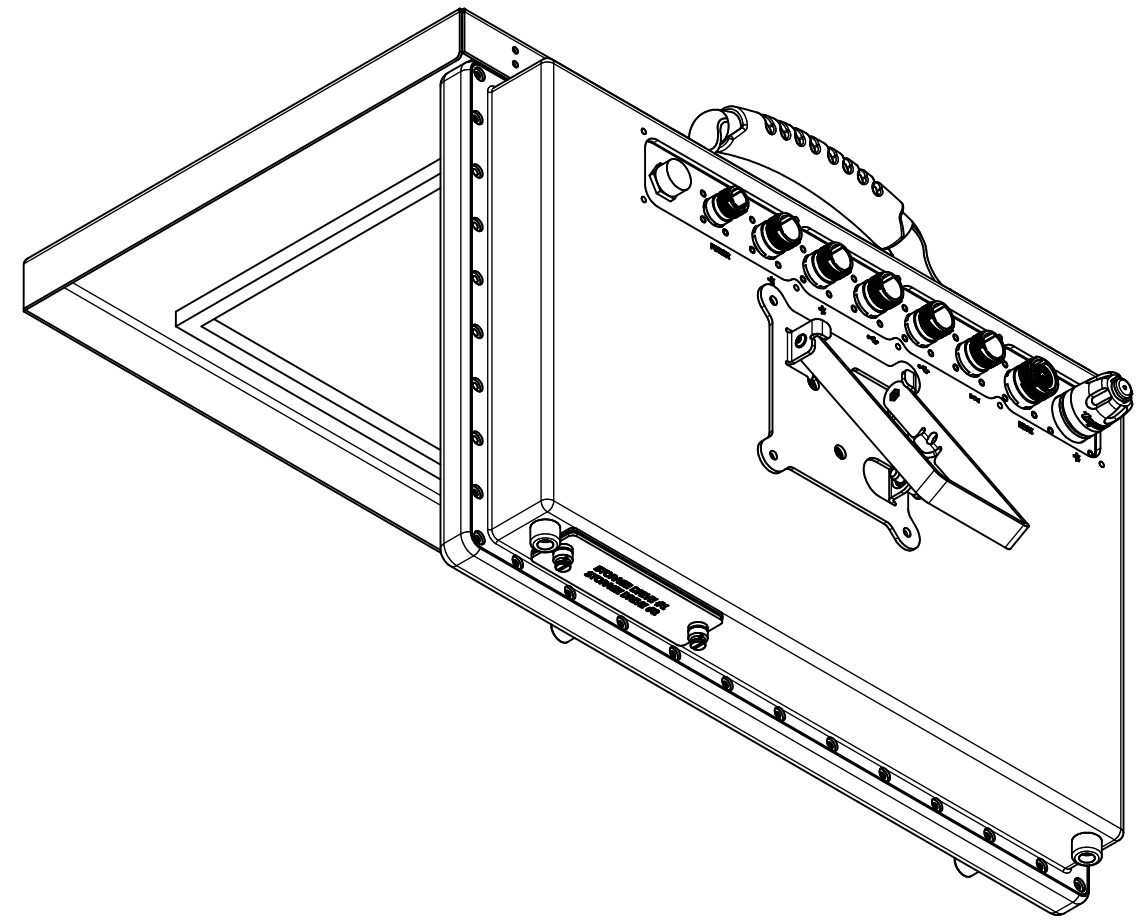
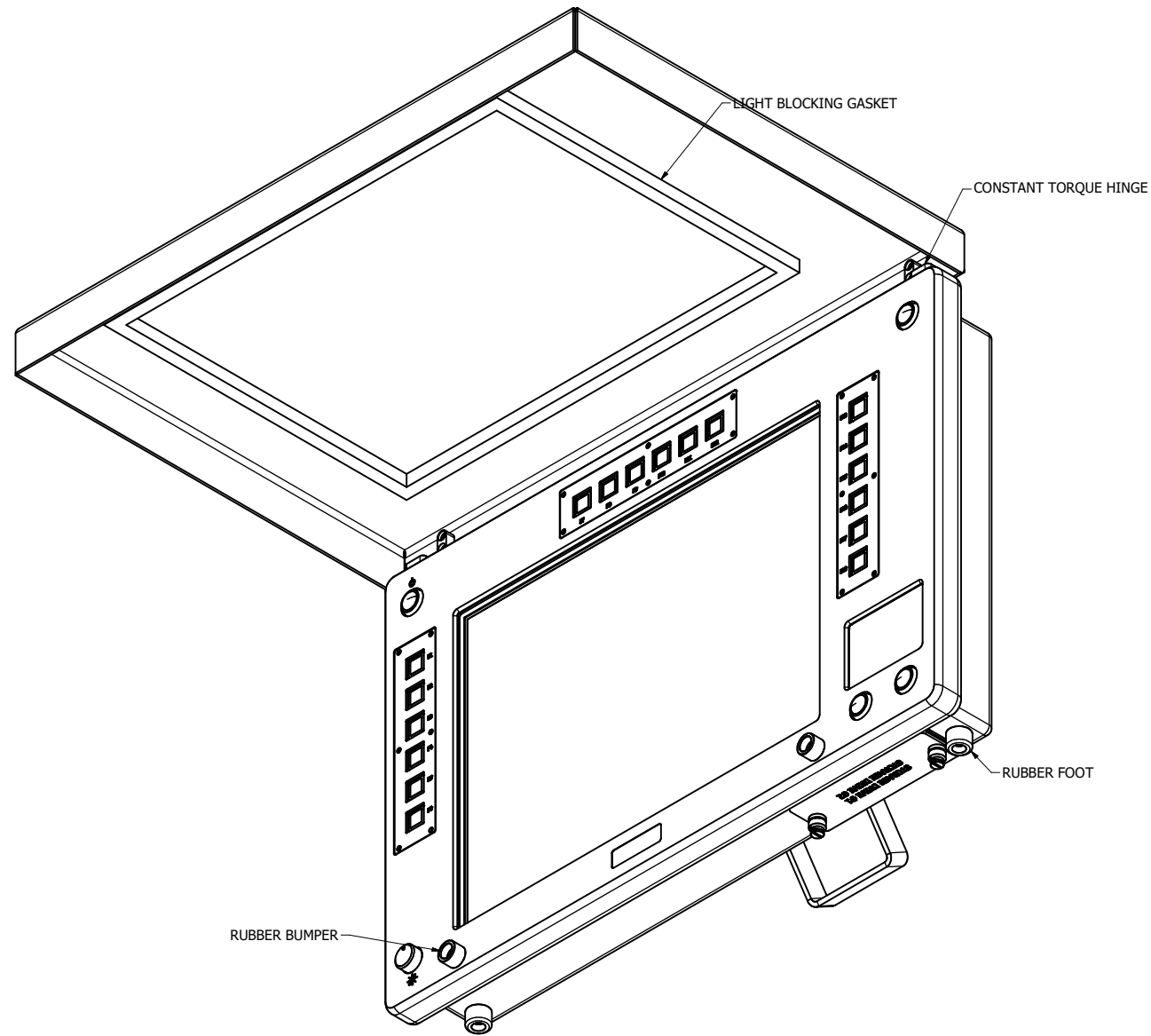


**FOR REFERENCE ONLY**  
**DESIGN SUBJECT TO CHANGE**

DRAWN BY: JAC		10/8/2020		
USE WITH PRODUCT NUMBER				
MATERIAL & FINISH				<b>15" FIELDSTATION</b> OUTLINE DRAWING
TOLERANCES: .XX=.01 .XXX=.005				
SHEET	SIZE	PART NUMBER	REV	
1 of 2	D	VTFS1C150aVRA	00	


NOTES:  
1.

# 15.0" FIELDSTATION PANEL COMPUTER



DEPLOYED POSITION

**FOR REFERENCE ONLY**  
**DESIGN SUBJECT TO CHANGE**

DRAWN BY: JAC		10/8/2020		 <b>VARTECH</b> SYSTEMS INC.	
USE WITH PRODUCT NUMBER					
MATERIAL & FINISH				TITLE	
				15" FIELDSTATION OUTLINE DRAWING	
SHEET	SIZE	PART NUMBER	REV		
2 of 2	D	VTFS1C150aVRA	00		
TOLERANCES: .XX=.01 .XXX=.005					