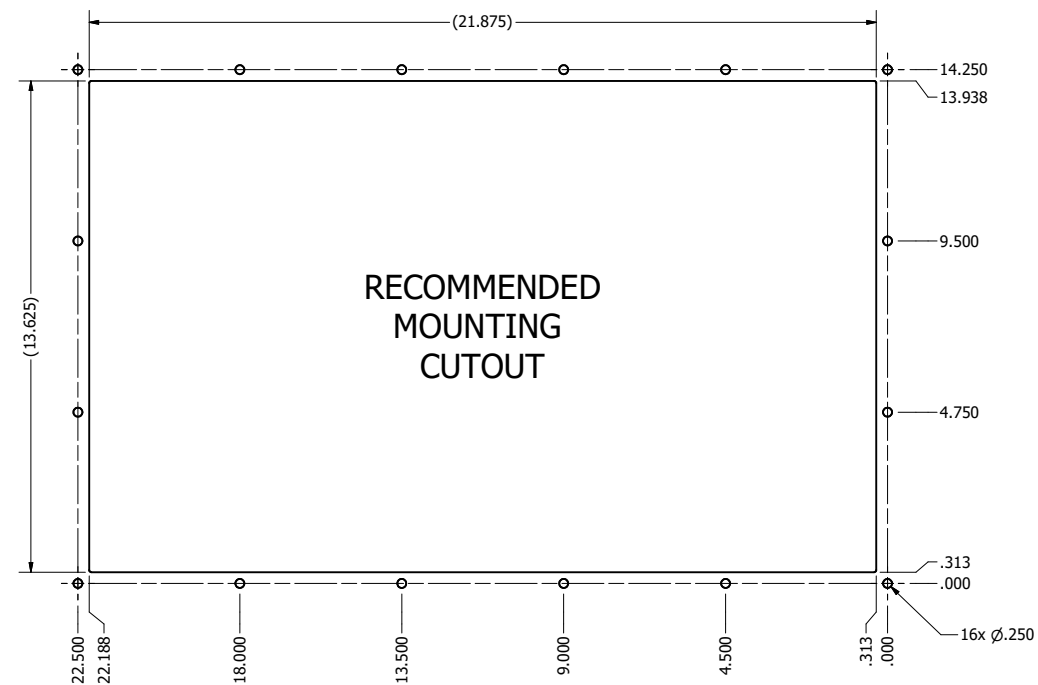
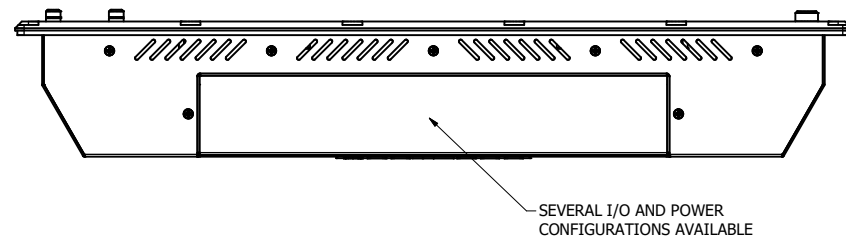
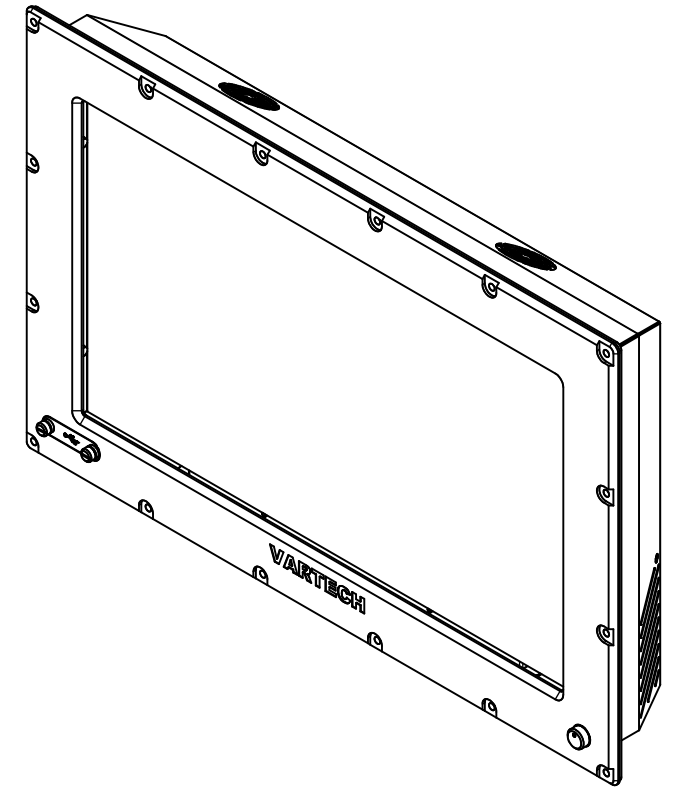
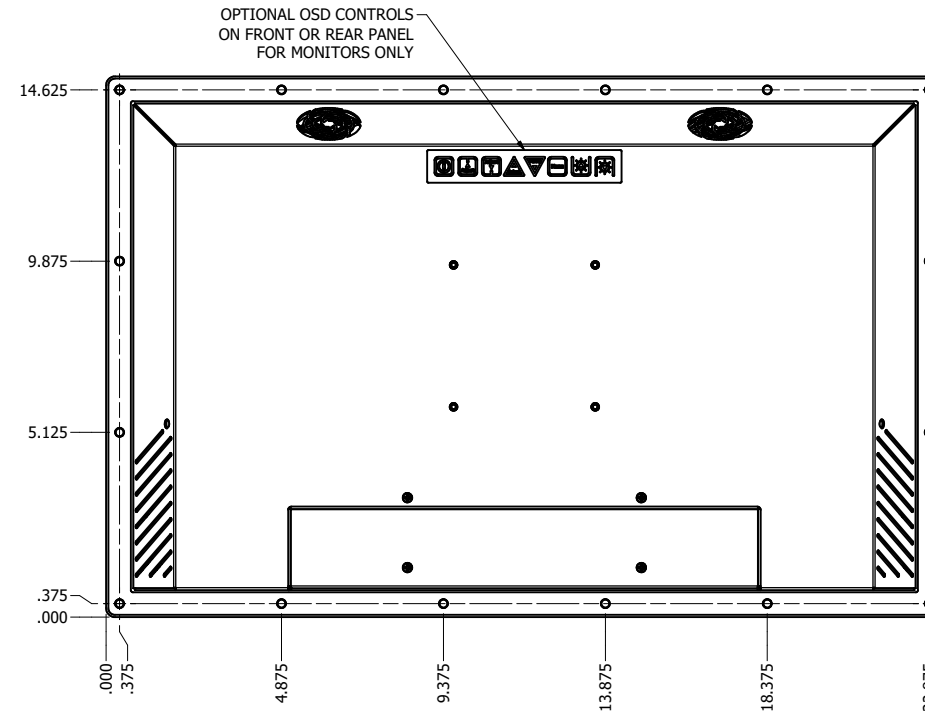
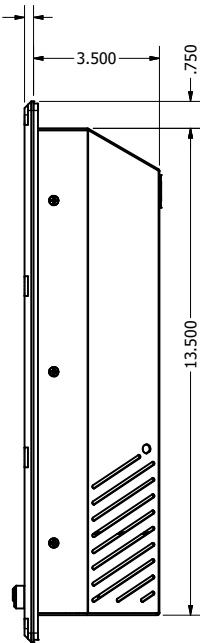
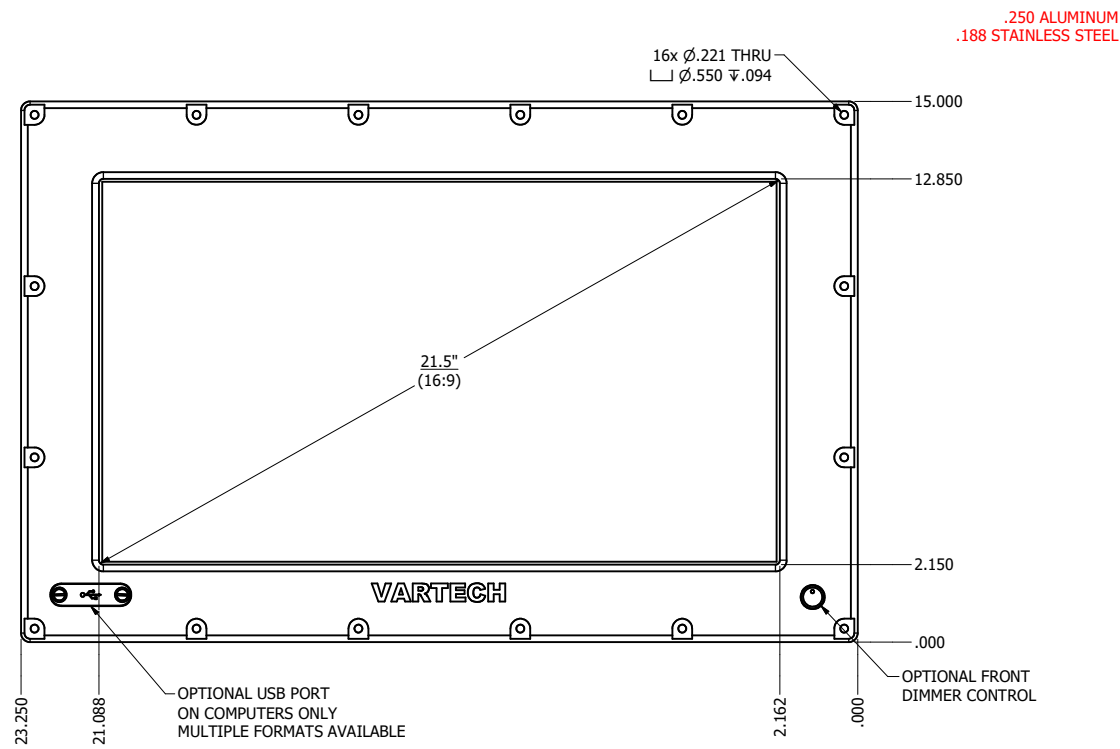
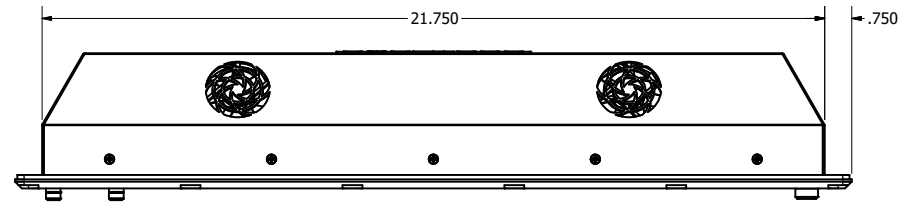


# 21.5" CONSOLE MOUNT EXTREME (Monitor or Panel Computer)

PRELIMINARY DRAWING  
DIMENSIONS ARE SUBJECT TO CHANGE

REVISION HISTORY			
REV	DATE	INITIALS	DESCRIPTION
00	11/27/19	MAW	INITIAL RELEASE



DRAWN BY:		USE WITH PRODUCT NUMBER		
MATERIAL & FINISH		TITLE		<b>OUTLINE DRAWING</b> DIAMONDVUE 4
SHEET	SIZE	PART NUMBER	REV	
3 of 6	D	VTDV4#215bCX#	00	
TOLERANCES: .XX=.01 .XXX=.005				