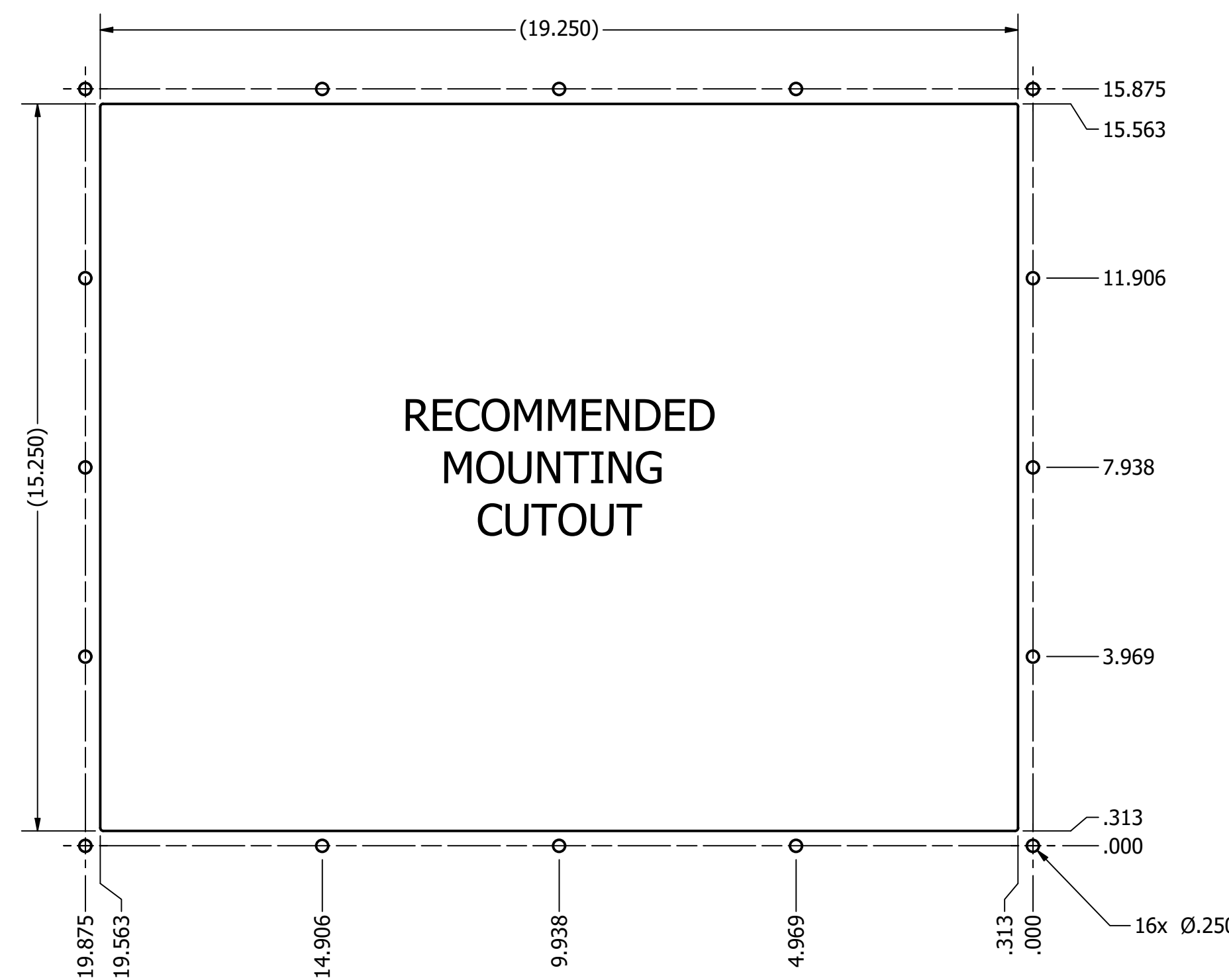
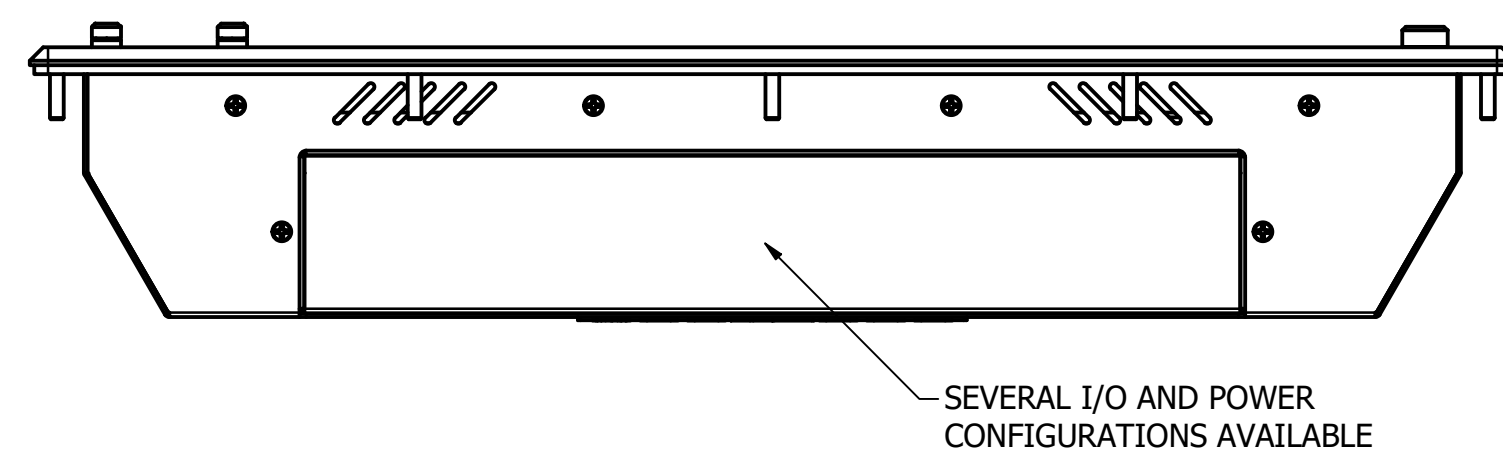
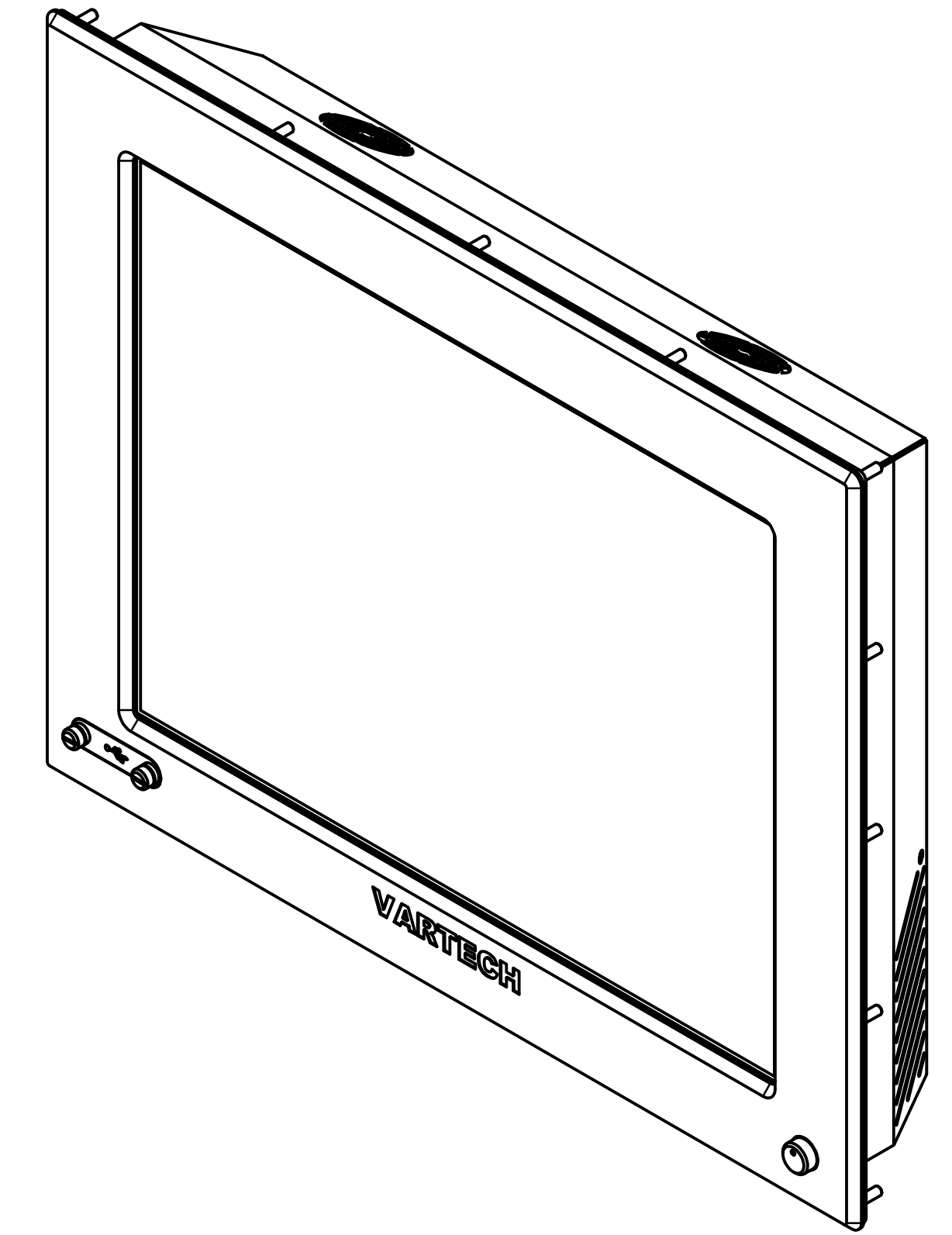
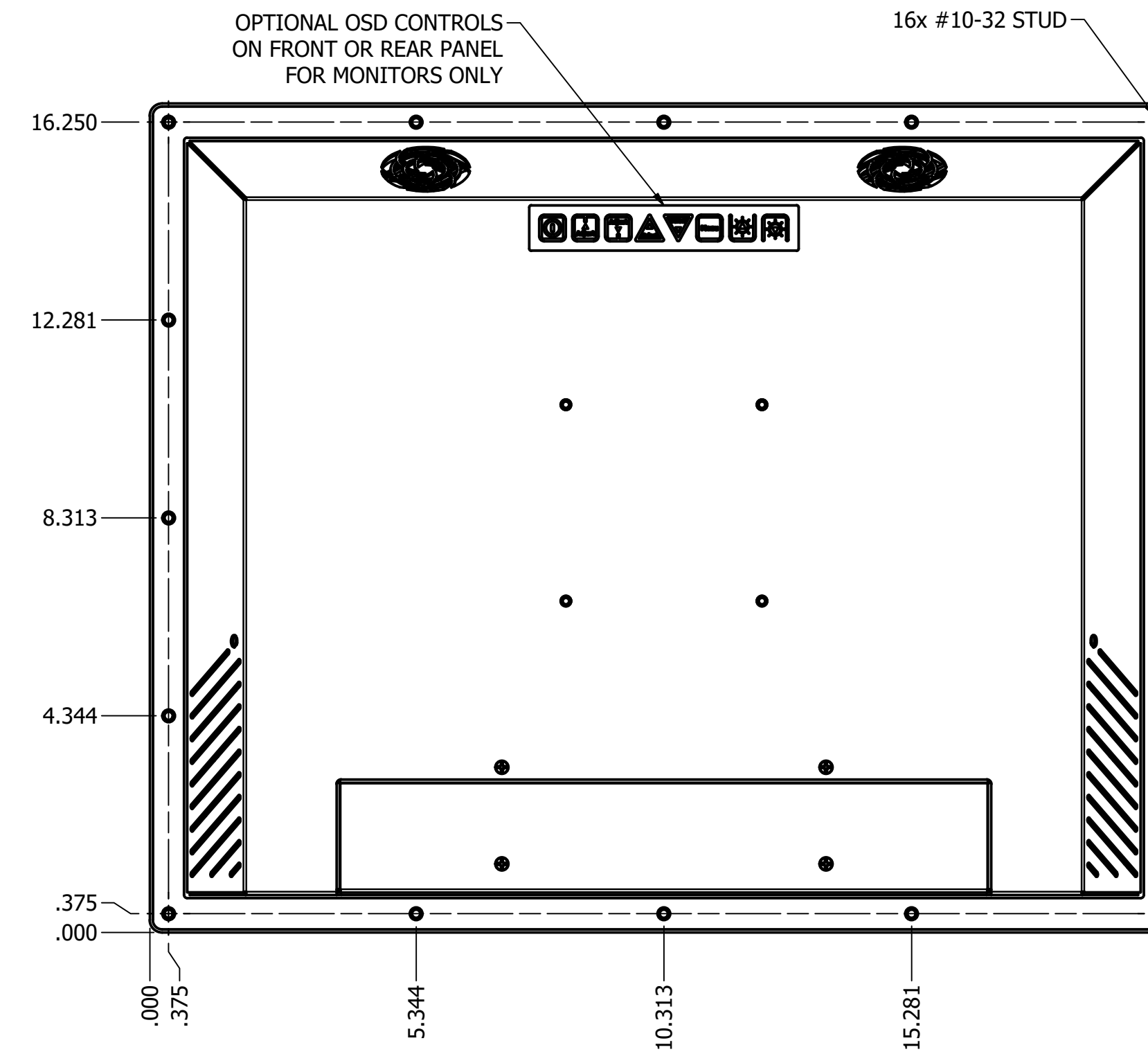
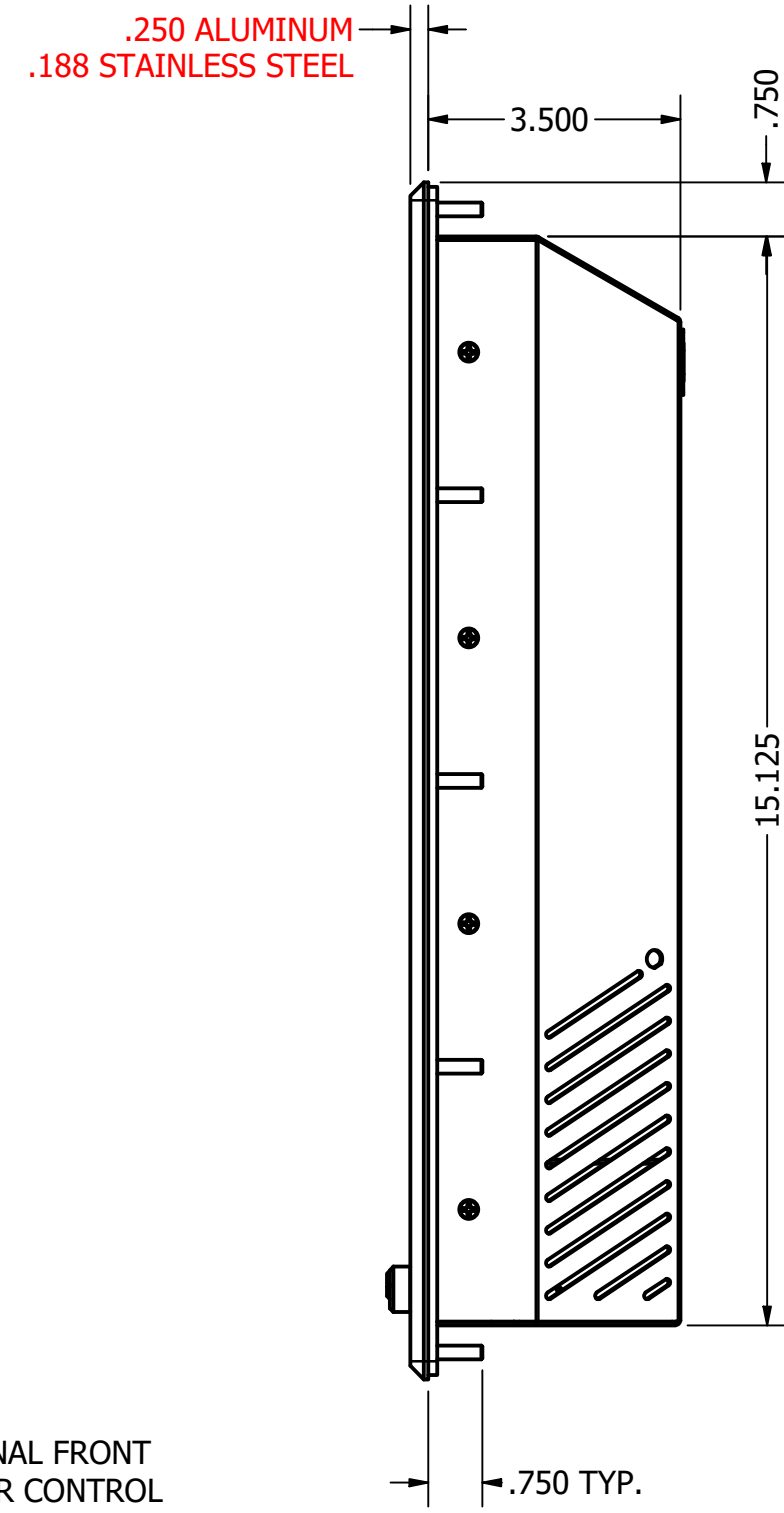
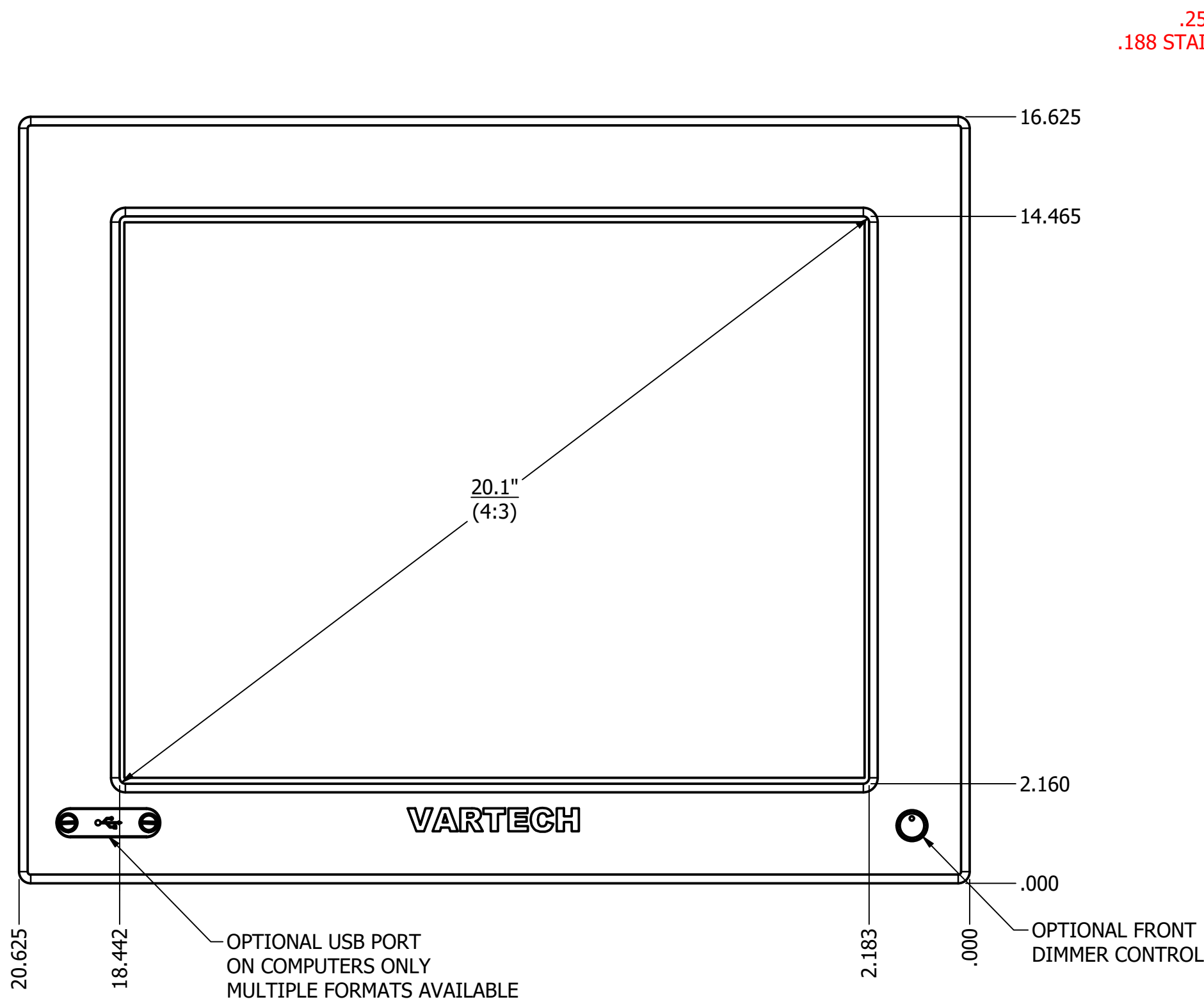
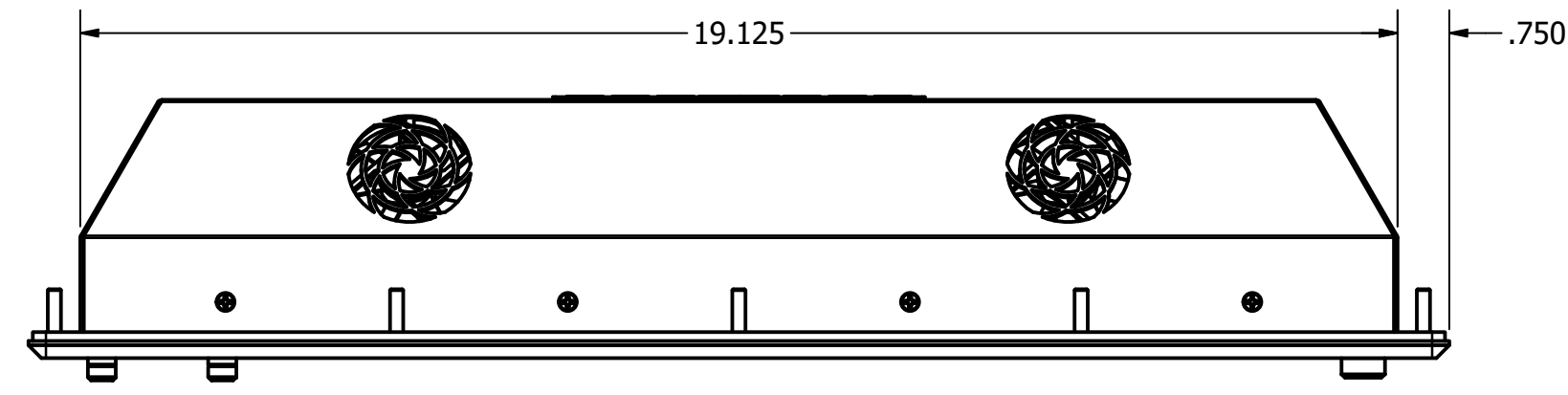


20.1" PANEL MOUNT (Monitor or Panel Computer)

PRELIMINARY DRAWING
DIMENSIONS ARE SUBJECT TO CHANGE

REVISION HISTORY			
REV	DATE	INITIALS	DESCRIPTION
00	11/27/19	MAW	INITIAL RELEASE

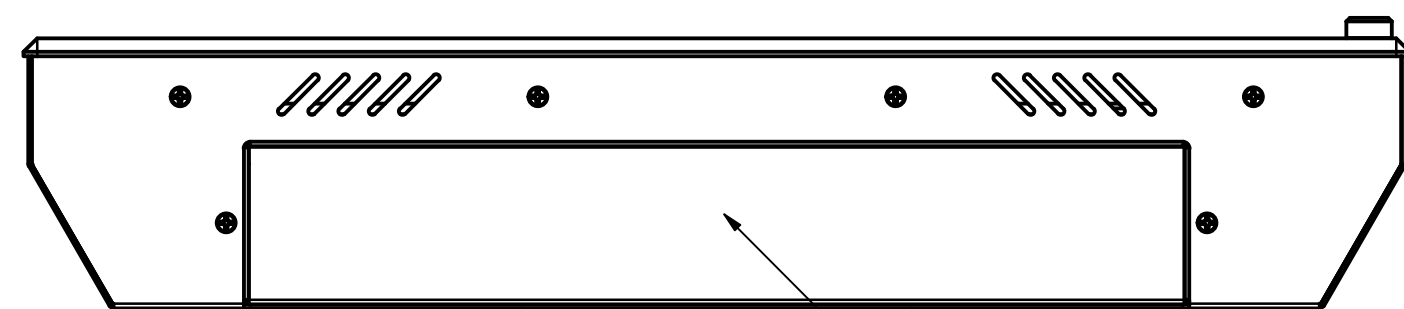
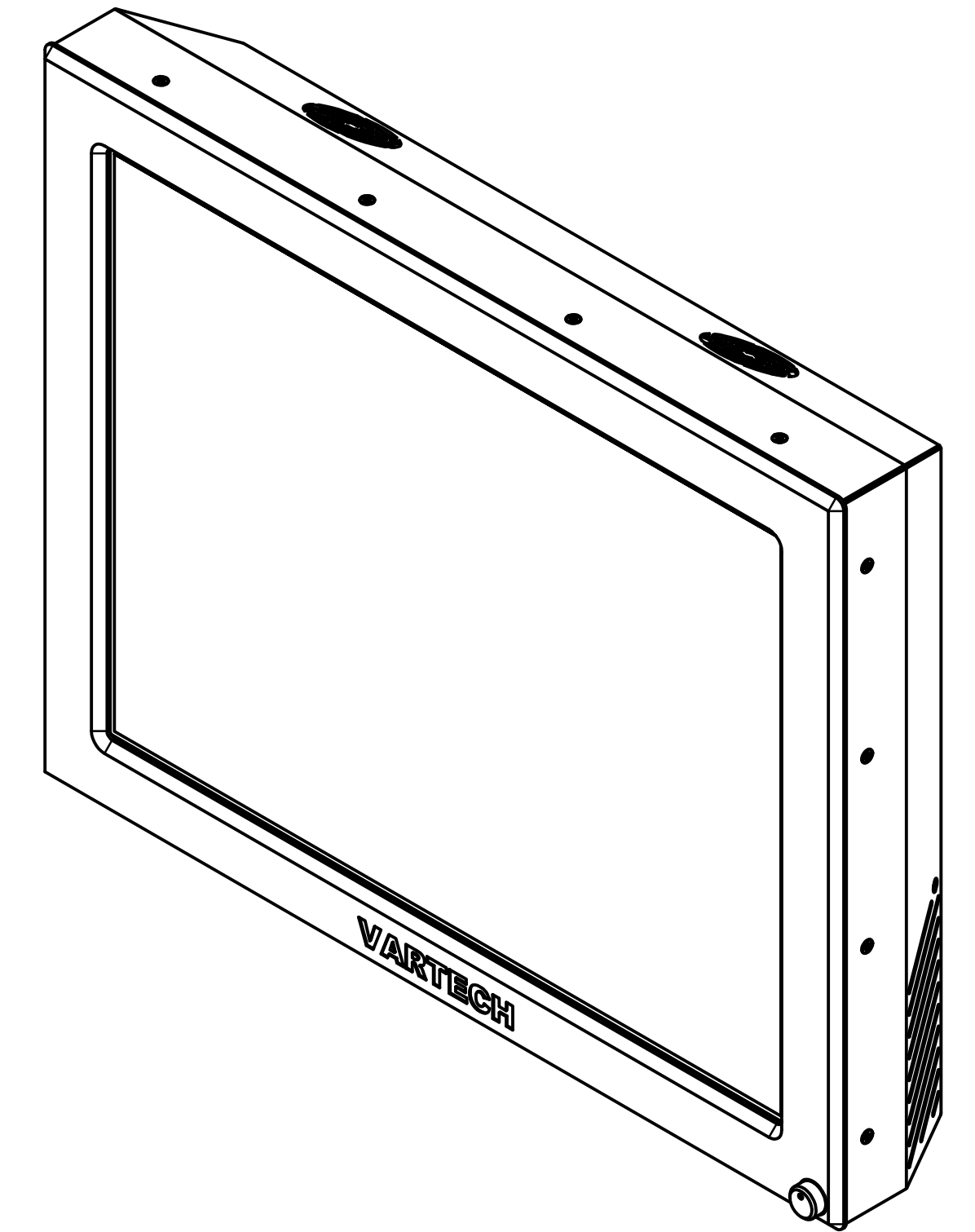
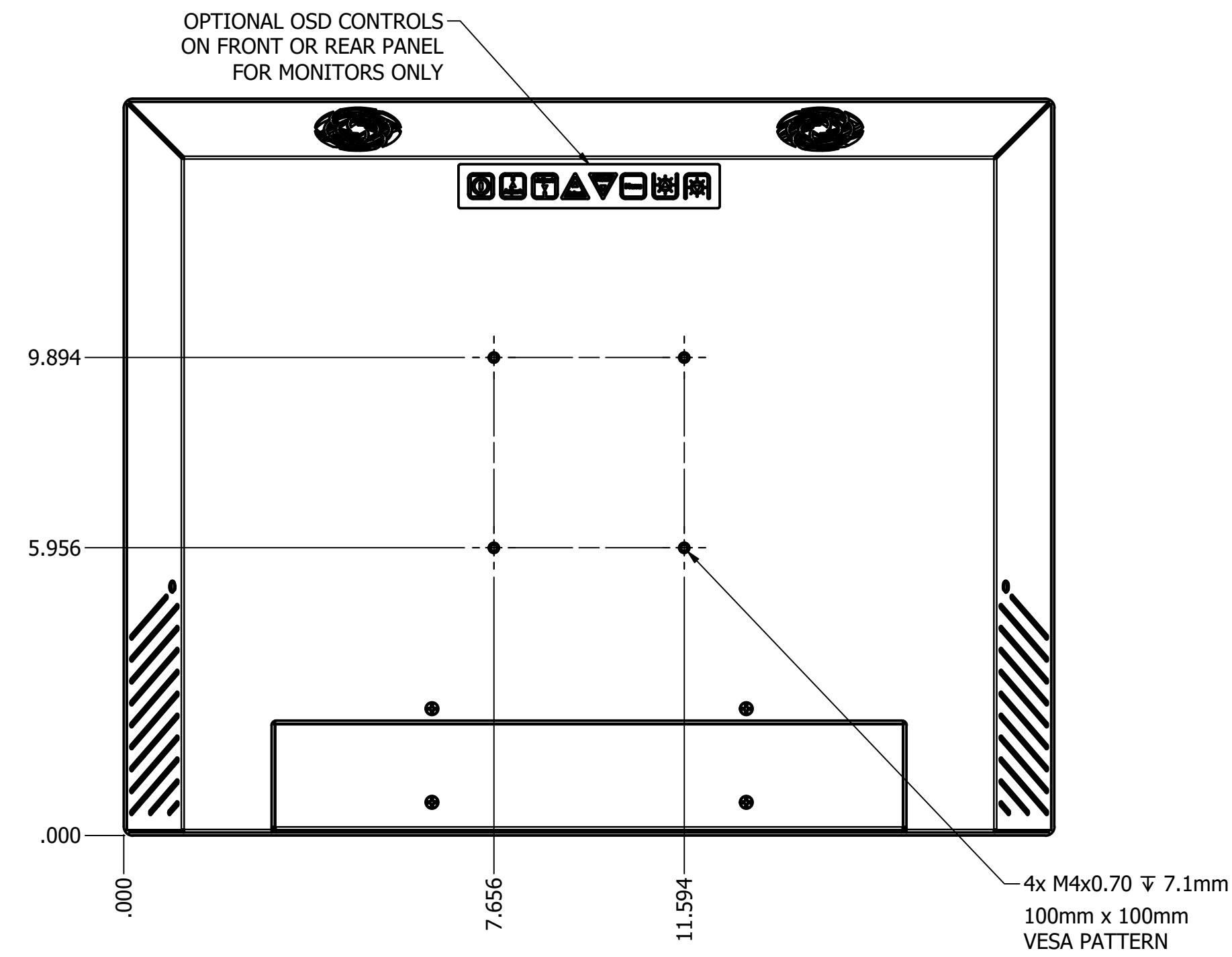
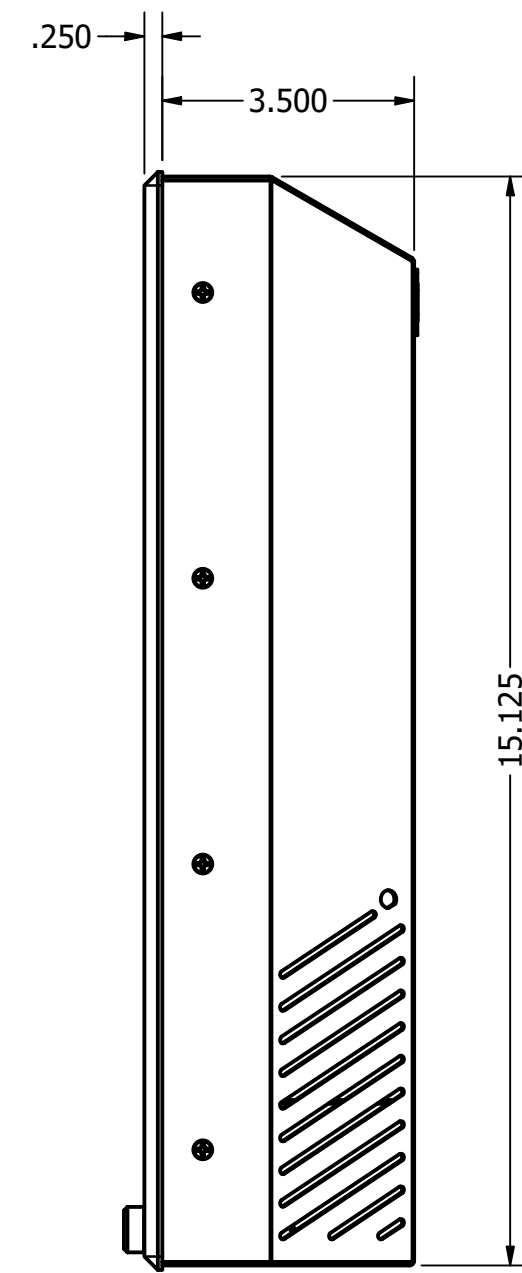
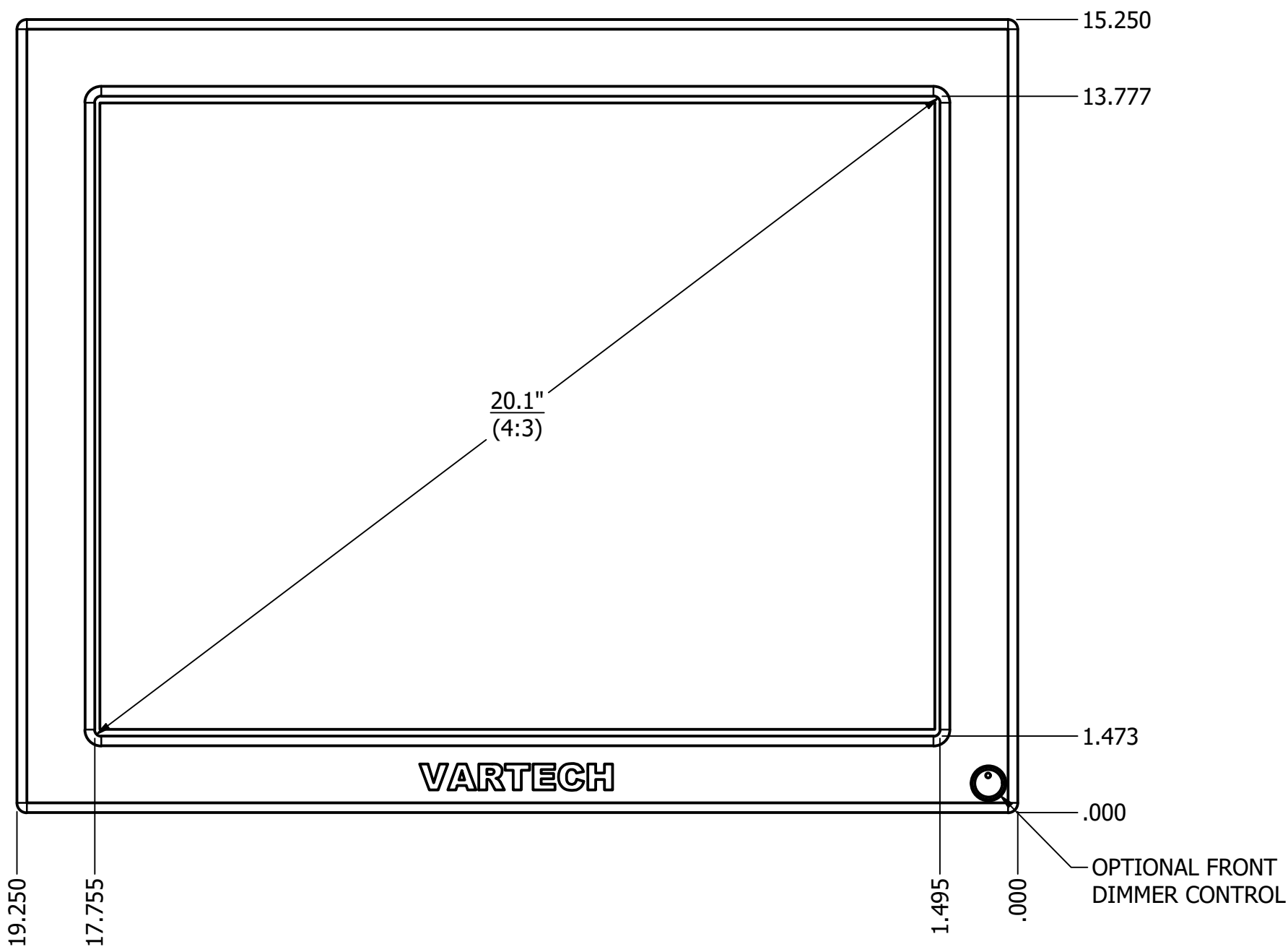
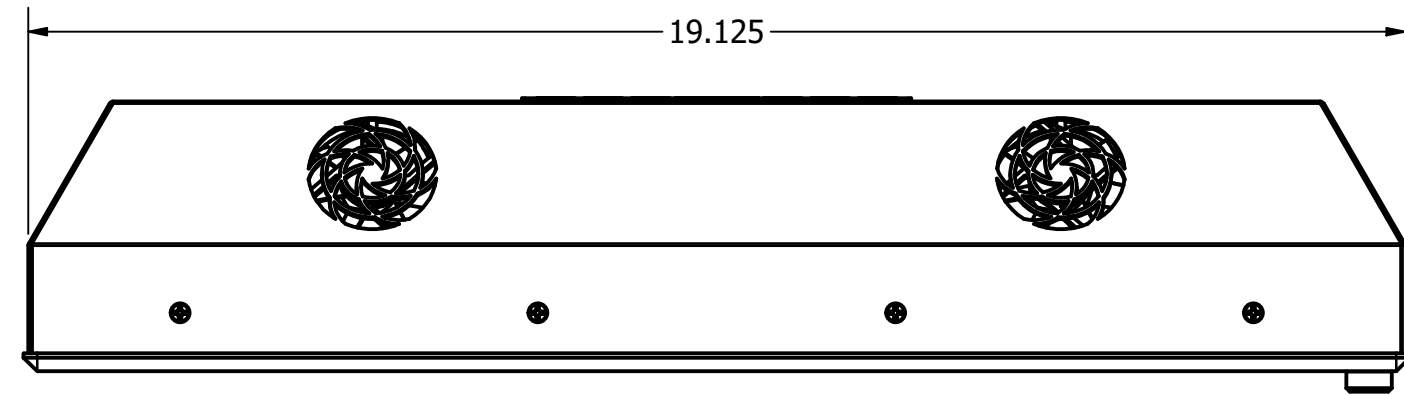


DRAWN BY:		USE WITH PRODUCT NUMBER		
MATERIAL & FINISH		TITLE		OUTLINE DRAWING DIAMONDVUE4
SHEET	SIZE	PART NUMBER	REV	
1 of 6	D	VTDV4#201aPN#	00	
TOLERANCES: .XX=.01 .XXX=.005				

20.1" VESA MOUNT (Monitor or Panel Computer)

PRELIMINARY DRAWING
DIMENSIONS ARE SUBJECT TO CHANGE

REVISION HISTORY			
REV	DATE	INITIALS	DESCRIPTION
00	11/27/19	MAW	INITIAL RELEASE

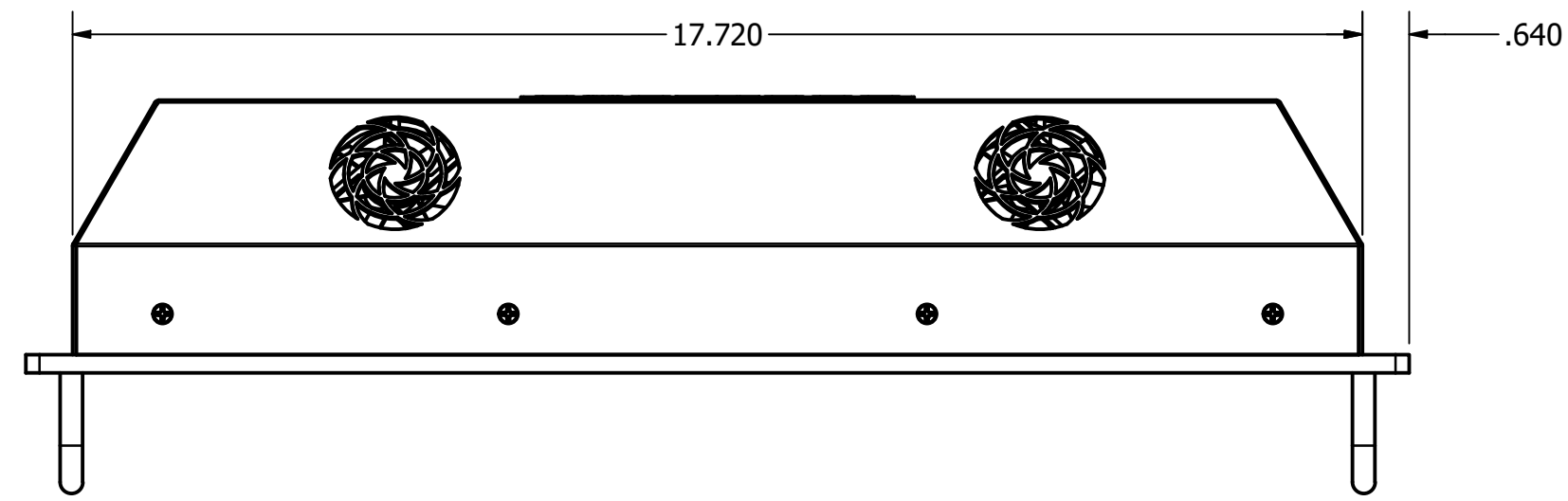


DRAWN BY: mwitham		11/26/2019		
USE WITH PRODUCT NUMBER				
MATERIAL & FINISH				TITLE
				OUTLINE DRAWING DIAMONDVUE4
SHEET	SIZE	PART NUMBER	REV	
2 of 6	D	VTDV4#201aVEA	00	
TOLERANCES: .XX=.01 .XXX=.005				

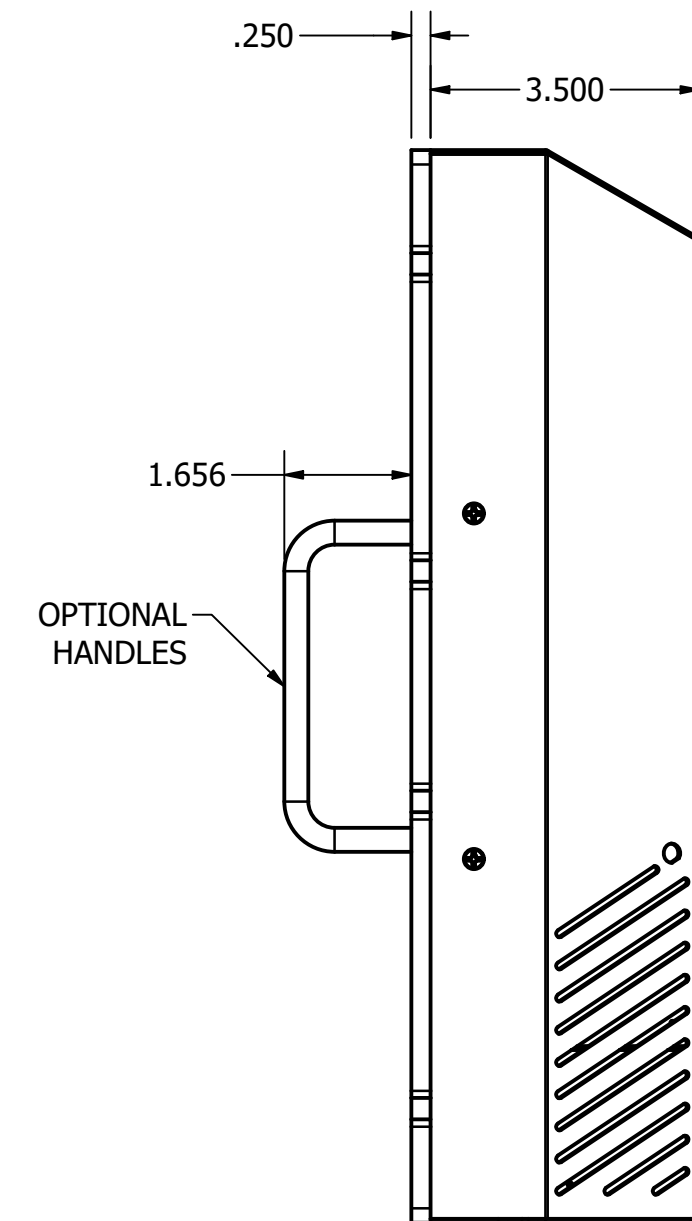
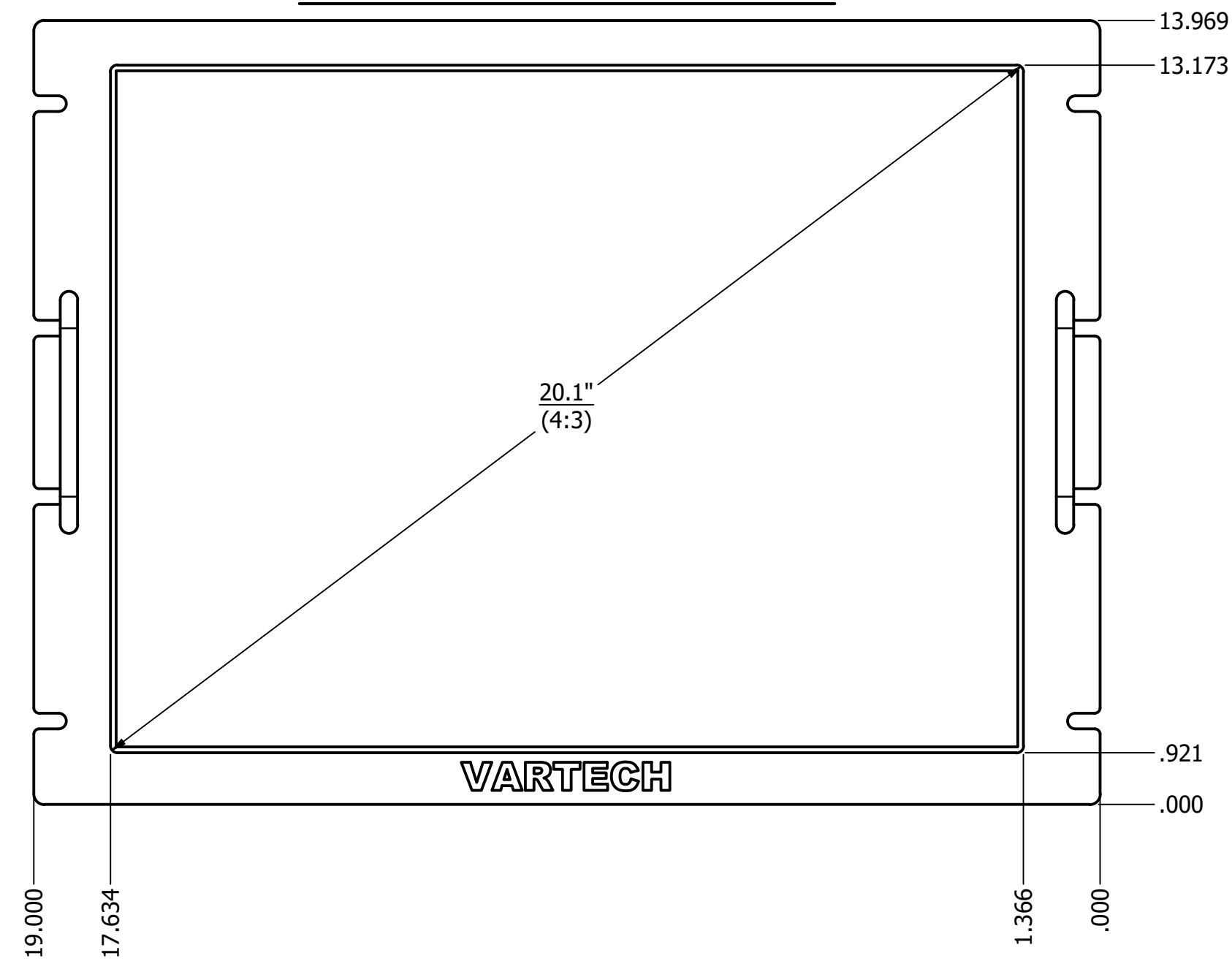
20.1" RACK MOUNT (Monitor or Panel Computer)

PRELIMINARY DRAWING
DIMENSIONS ARE SUBJECT TO CHANGE

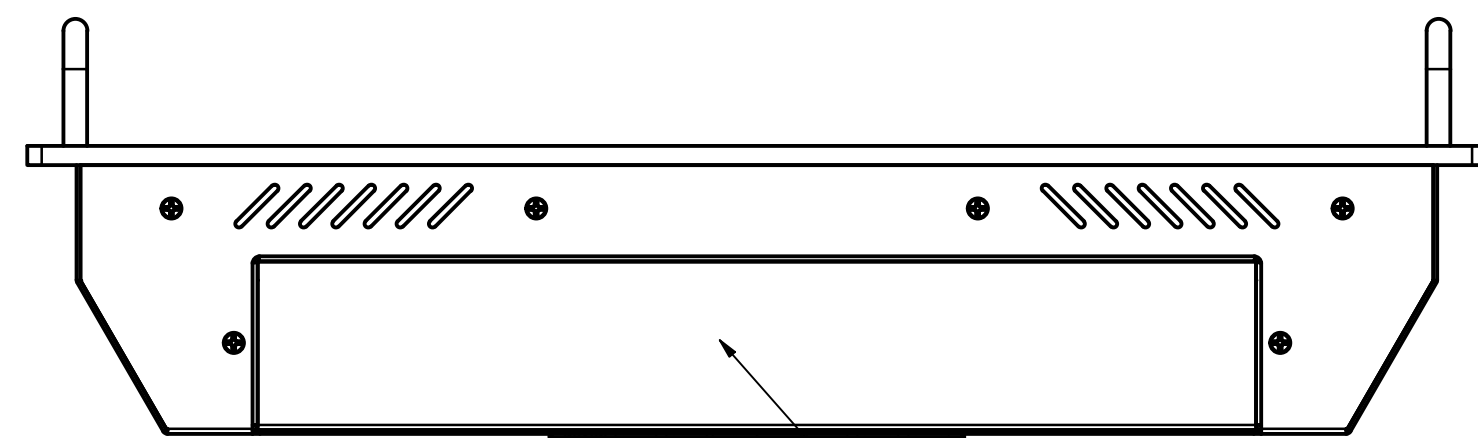
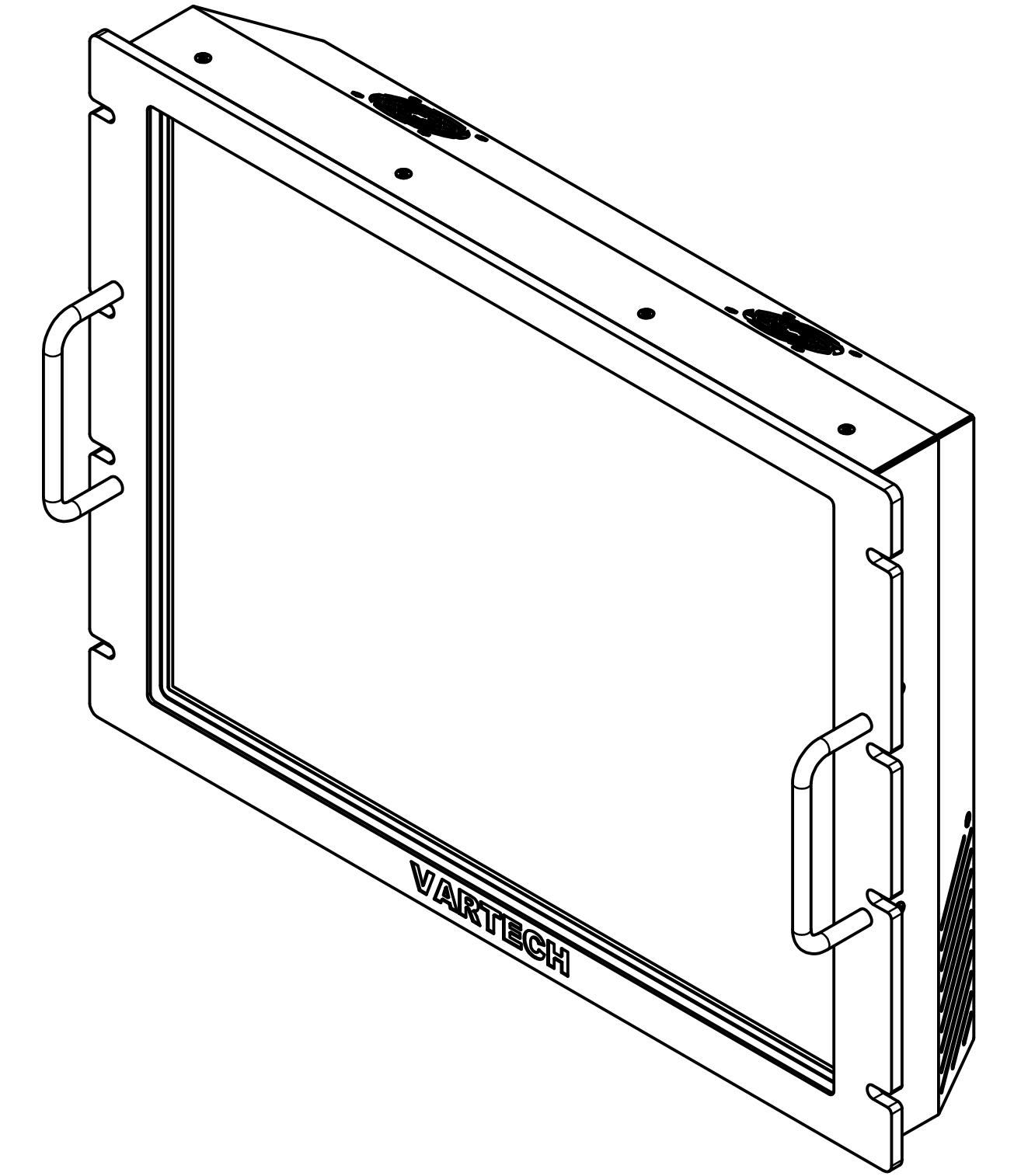
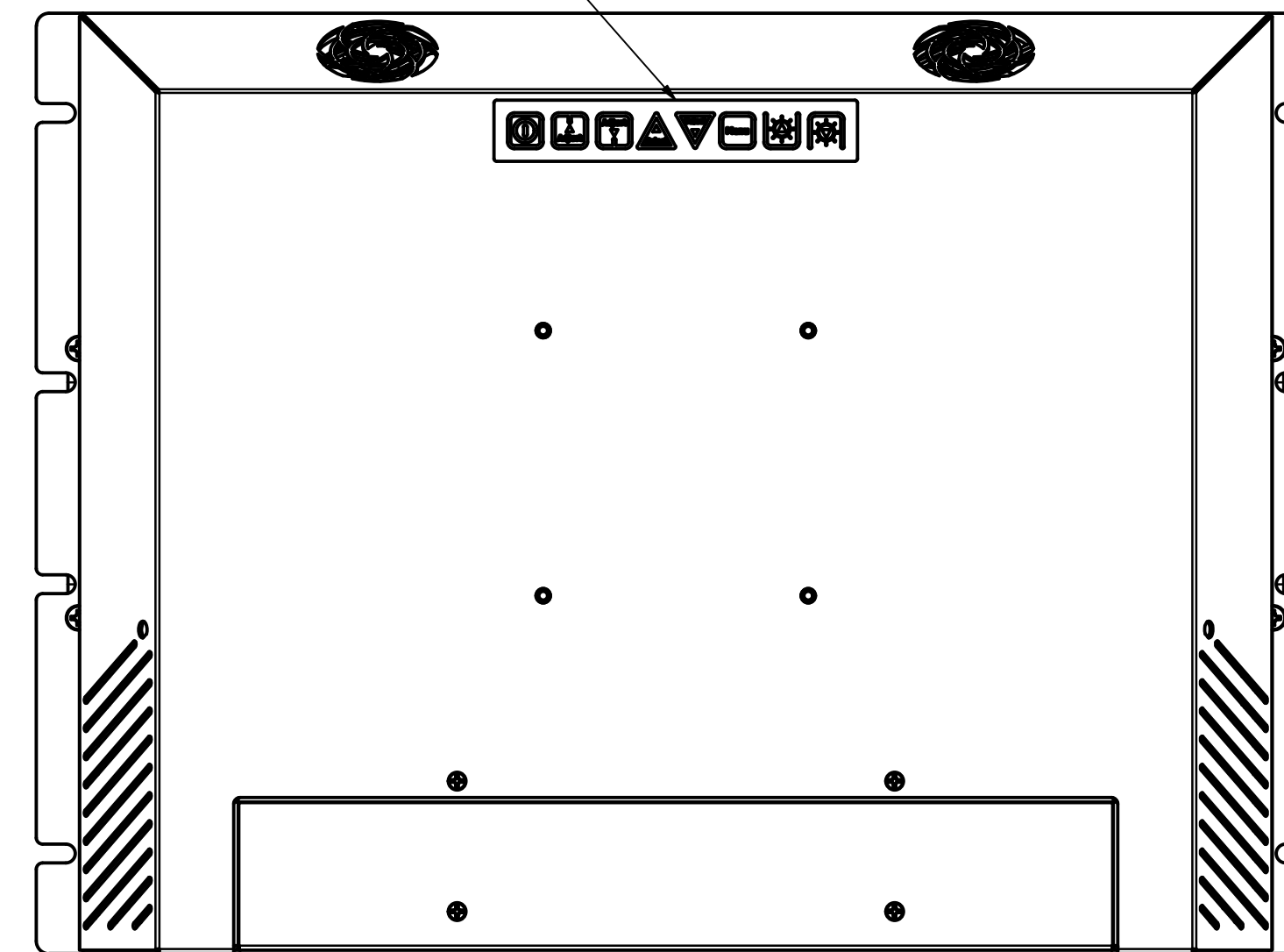
REVISION HISTORY			
REV	DATE	INITIALS	DESCRIPTION
00	11/27/19	MAW	INITIAL RELEASE



RACK HAS 8U HEIGHT



OPTIONAL OSD CONTROLS
ON FRONT OR REAR PANEL
FOR MONITORS ONLY



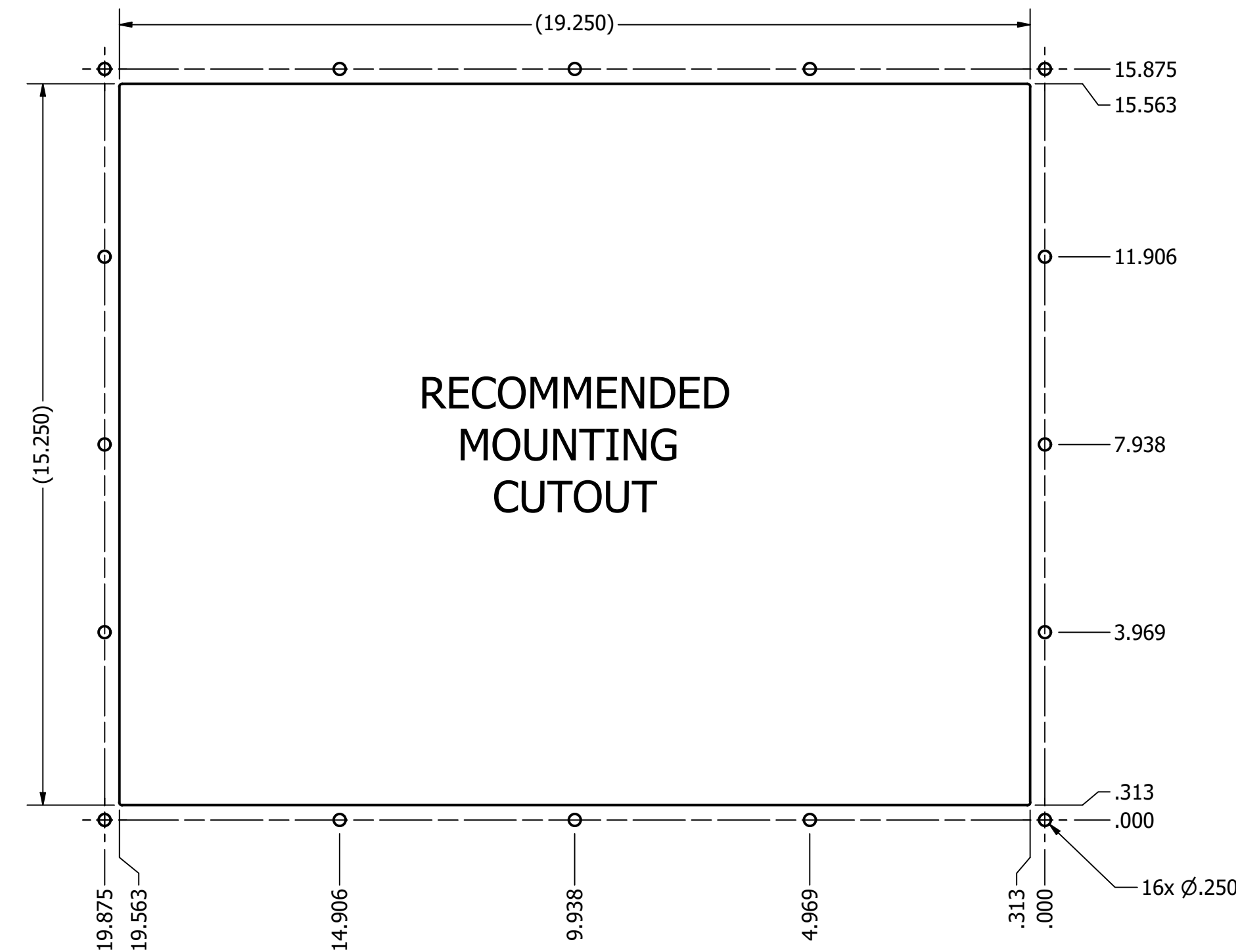
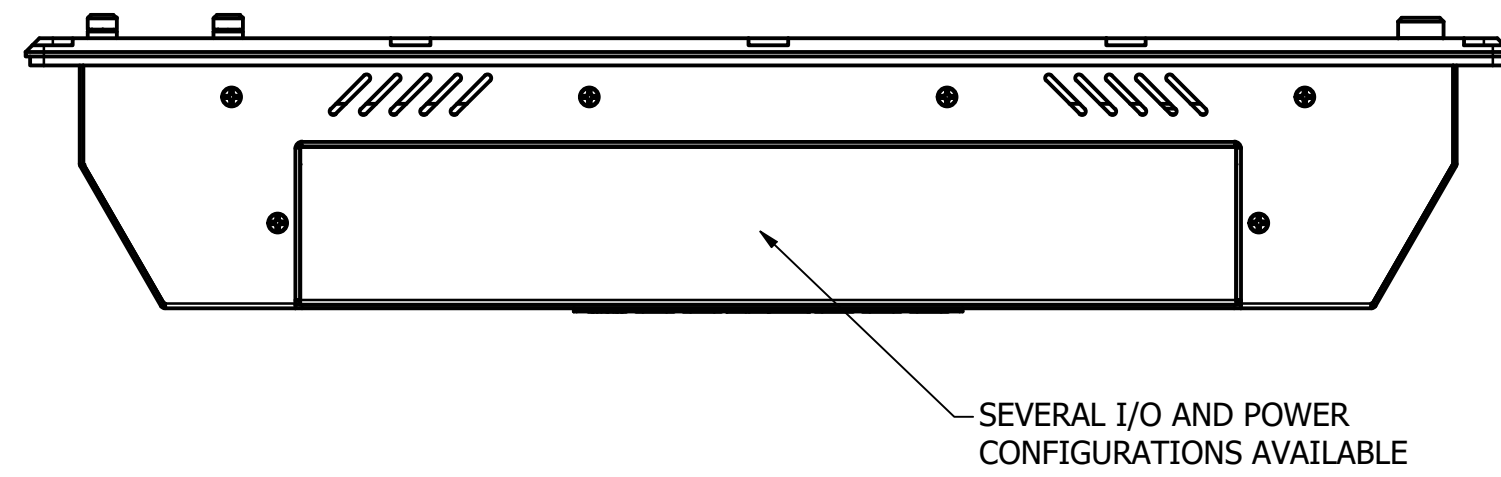
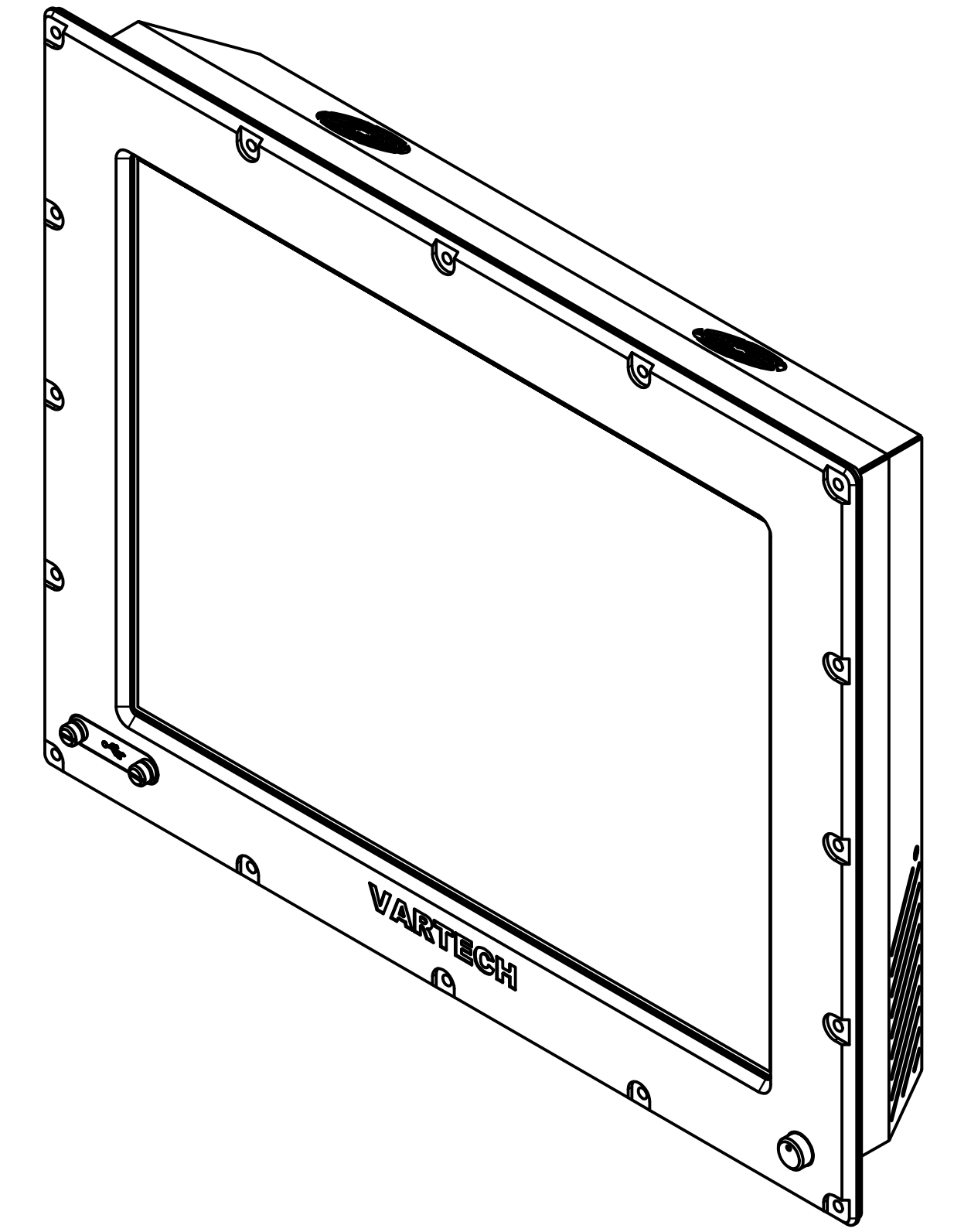
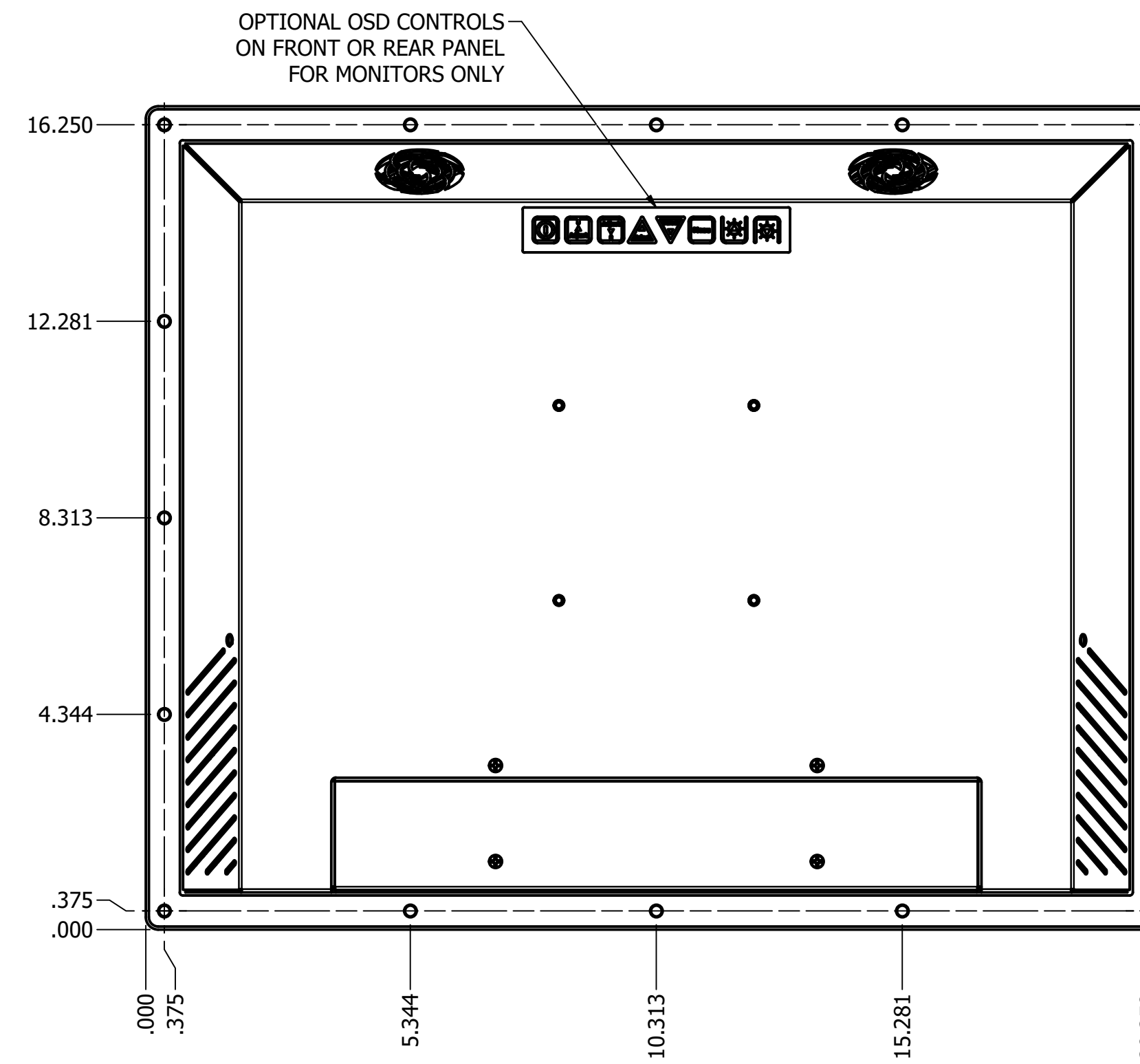
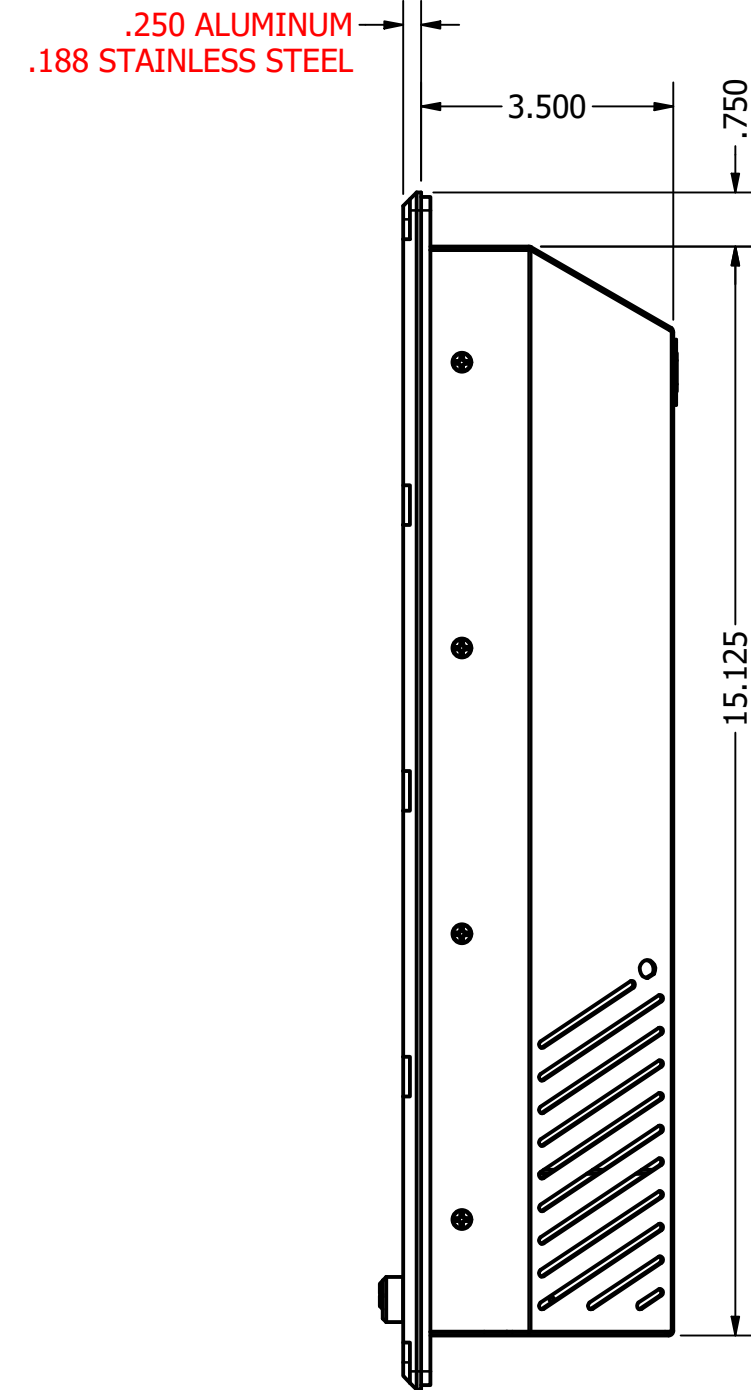
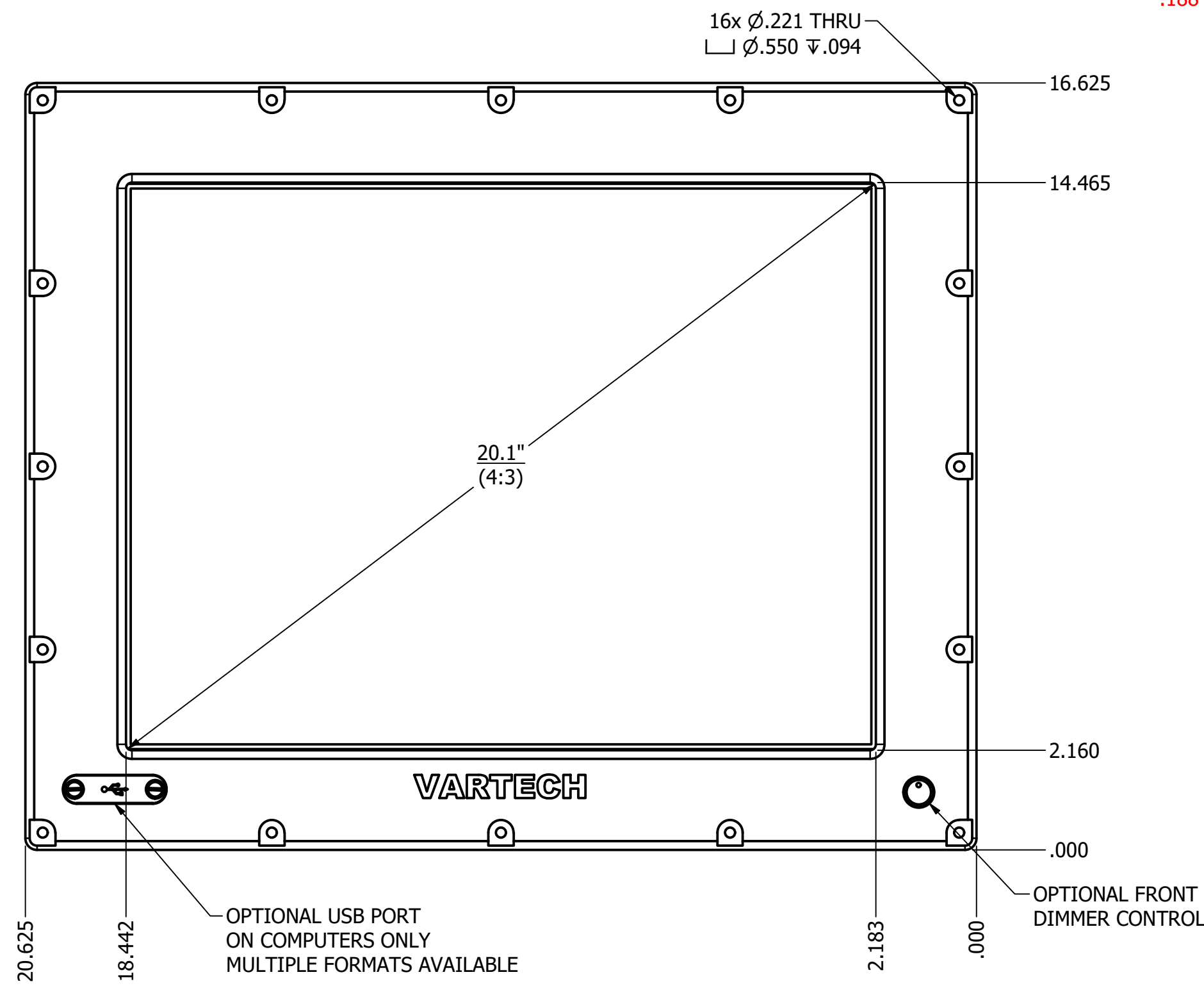
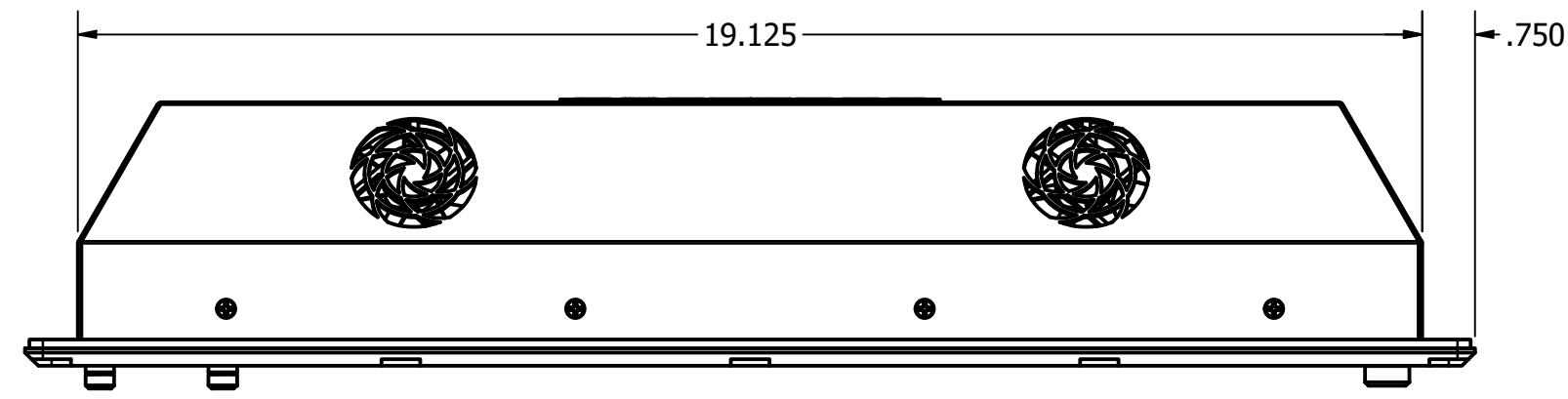
SEVERAL I/O AND POWER
CONFIGURATIONS AVAILABLE

DRAWN BY: mwitham		1/7/2020			
USE WITH PRODUCT NUMBER					
MATERIAL & FINISH				TITLE	
				OUTLINE DRAWING DIAMONDVUE4	
SHEET	SIZE	PART NUMBER	REV		
3 of 6	D	VTDV4#201aRKA	00		
TOLERANCES: .XX=-.01 .XXX=-.005					

20.1" CONSOLE MOUNT EXTREME (Monitor or Panel Computer)

PRELIMINARY DRAWING
DIMENSIONS ARE SUBJECT TO CHANGE

REVISION HISTORY			
REV	DATE	INITIALS	DESCRIPTION
00	11/27/19	MAW	INITIAL RELEASE

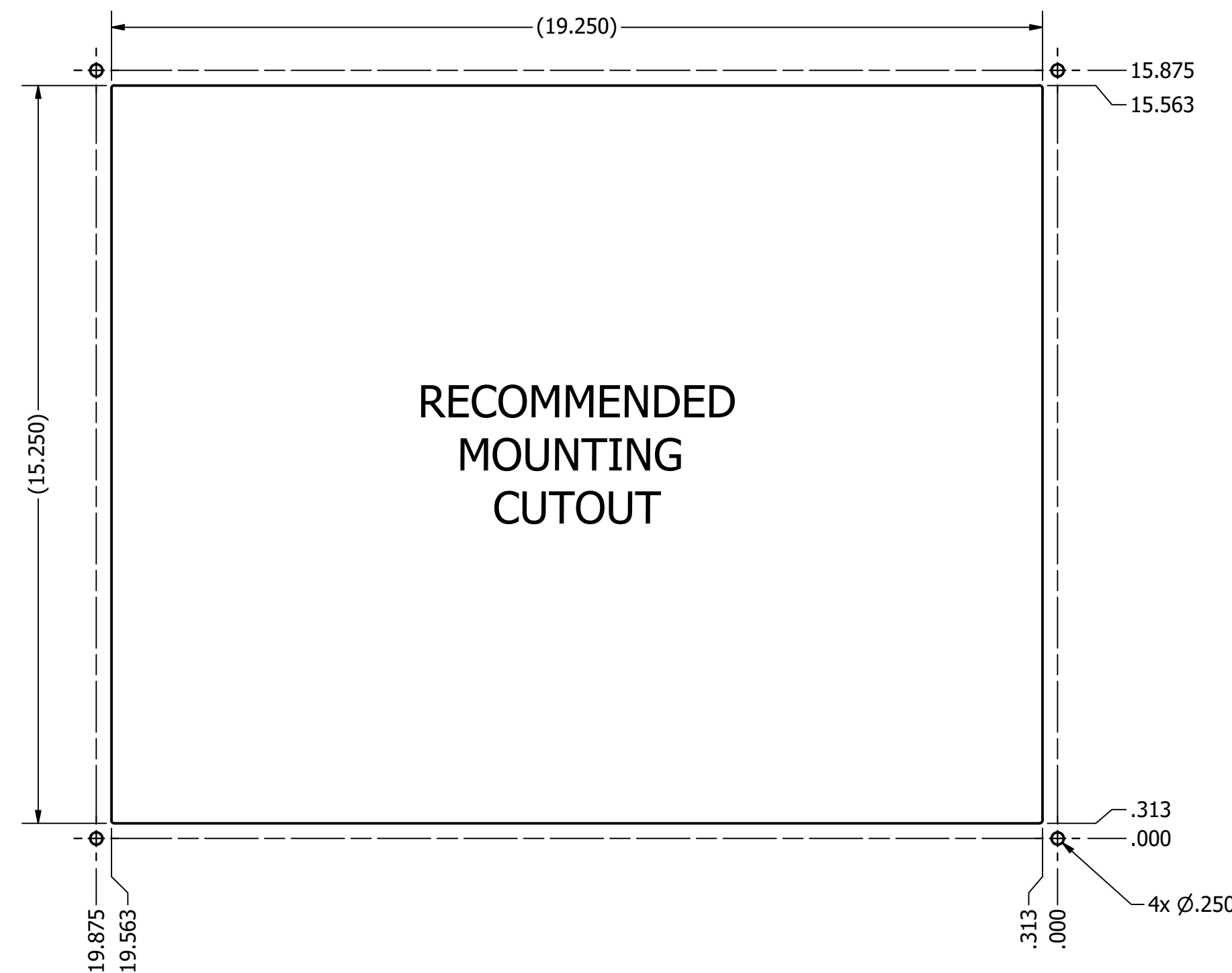
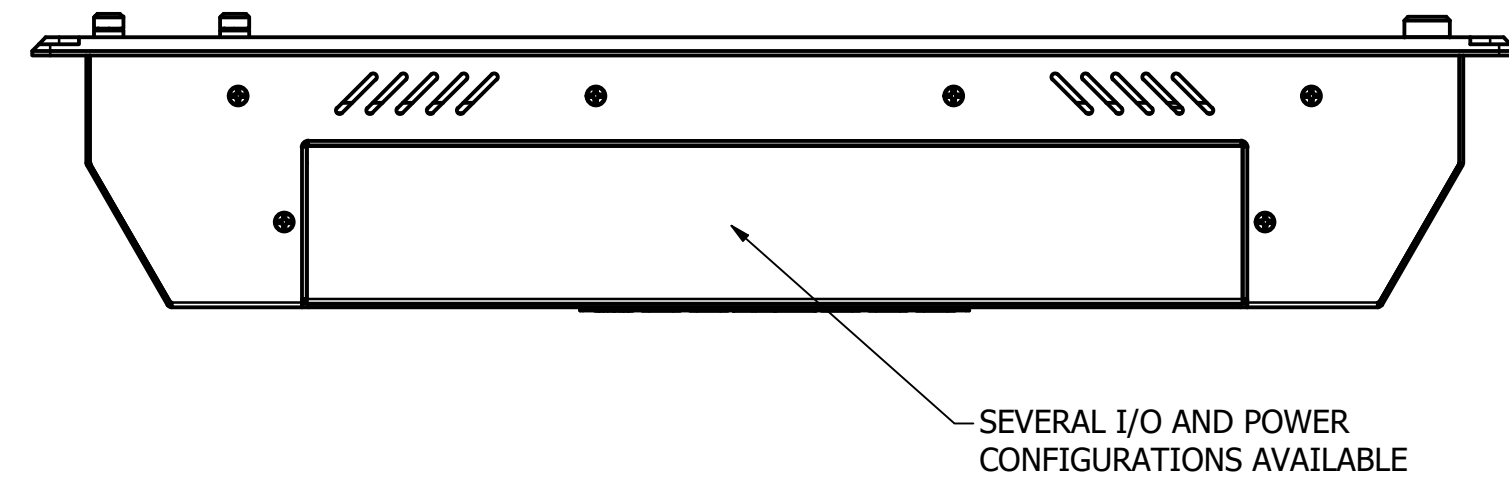
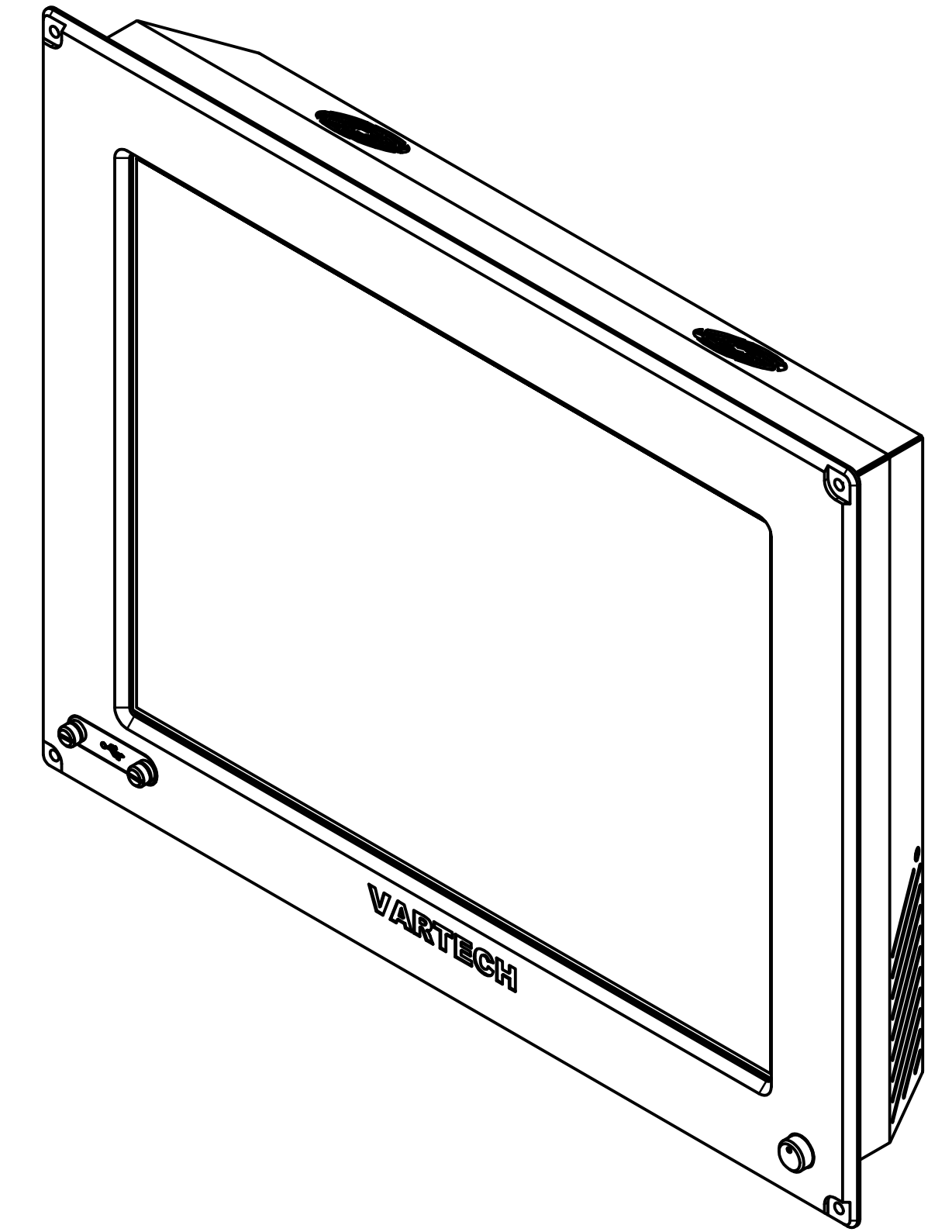
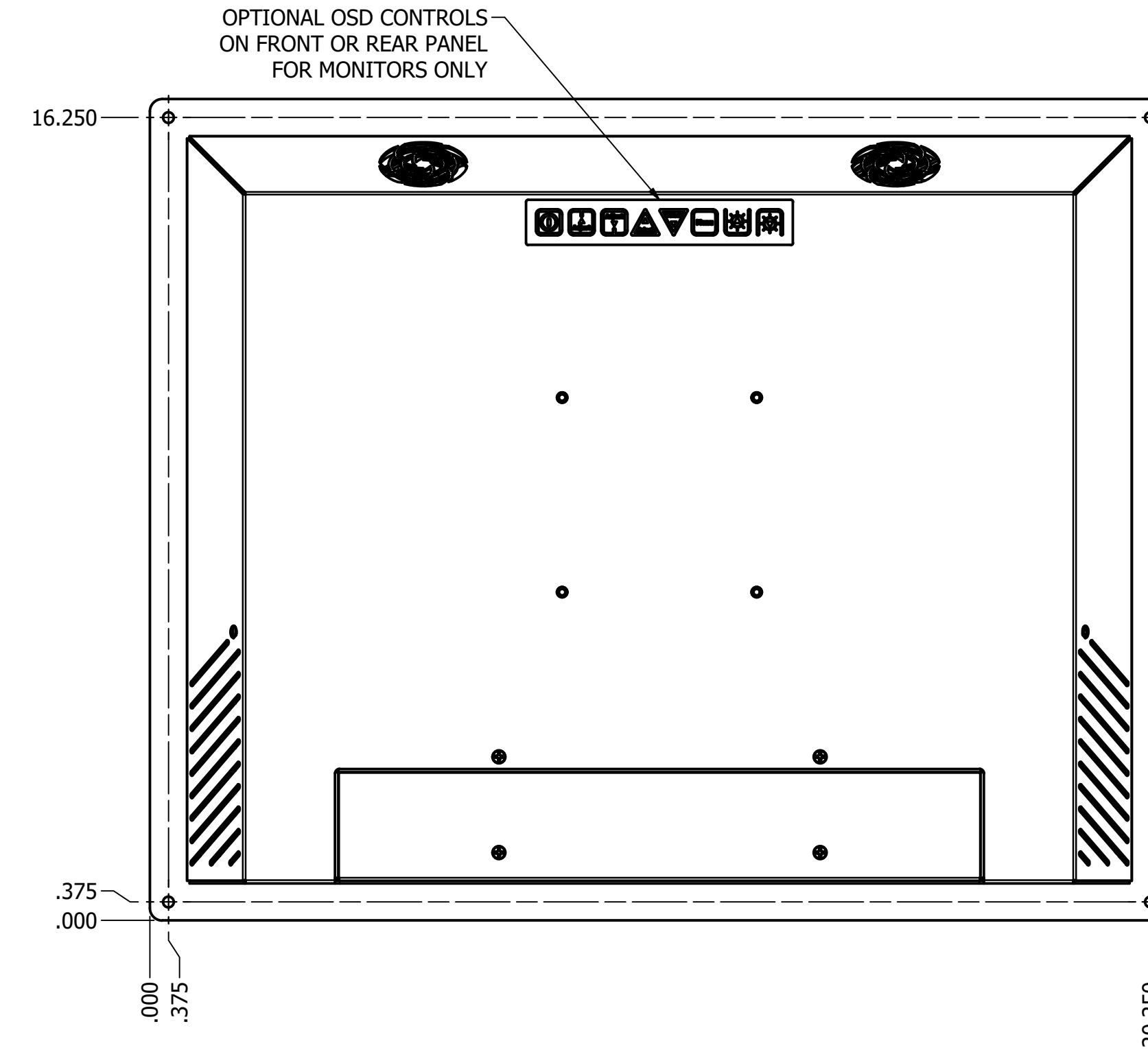
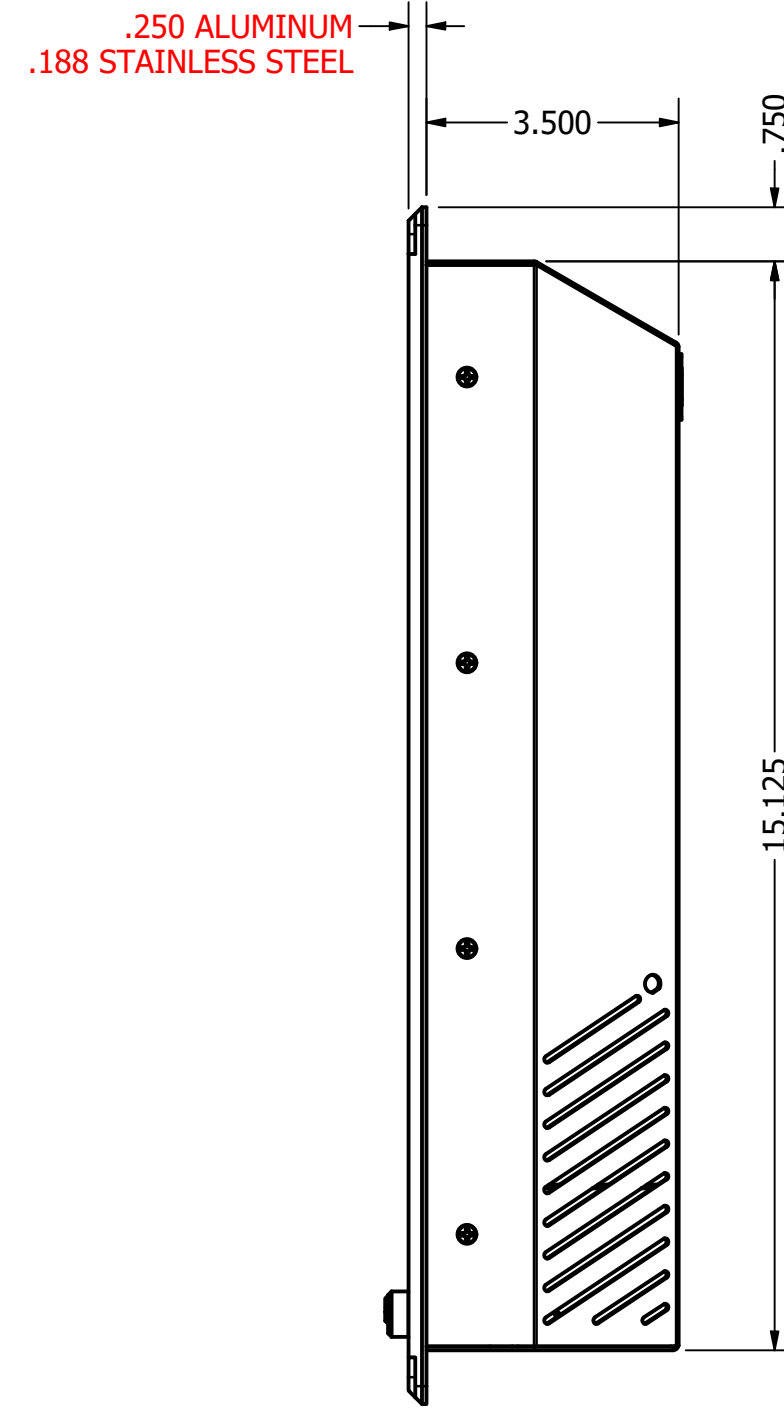
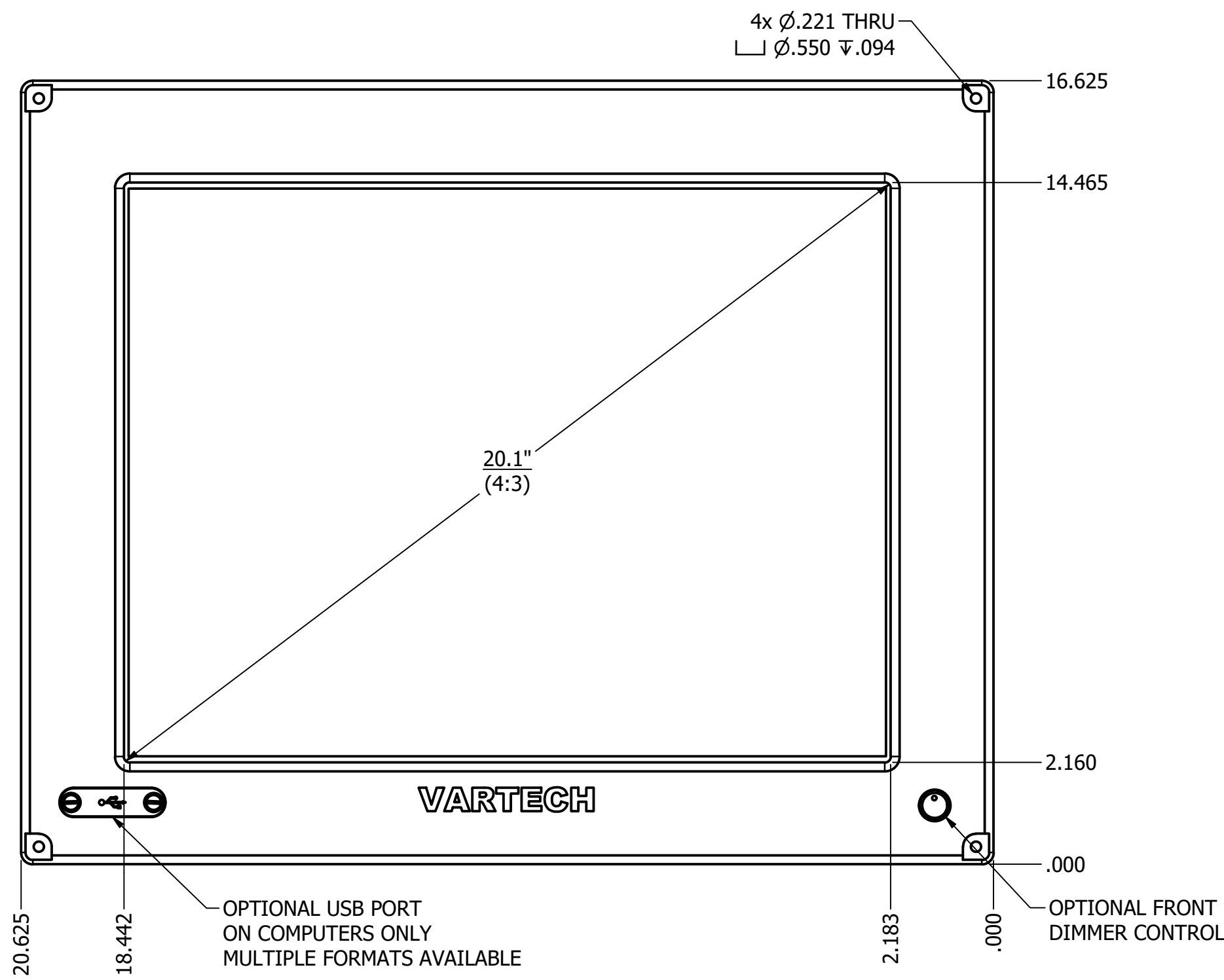
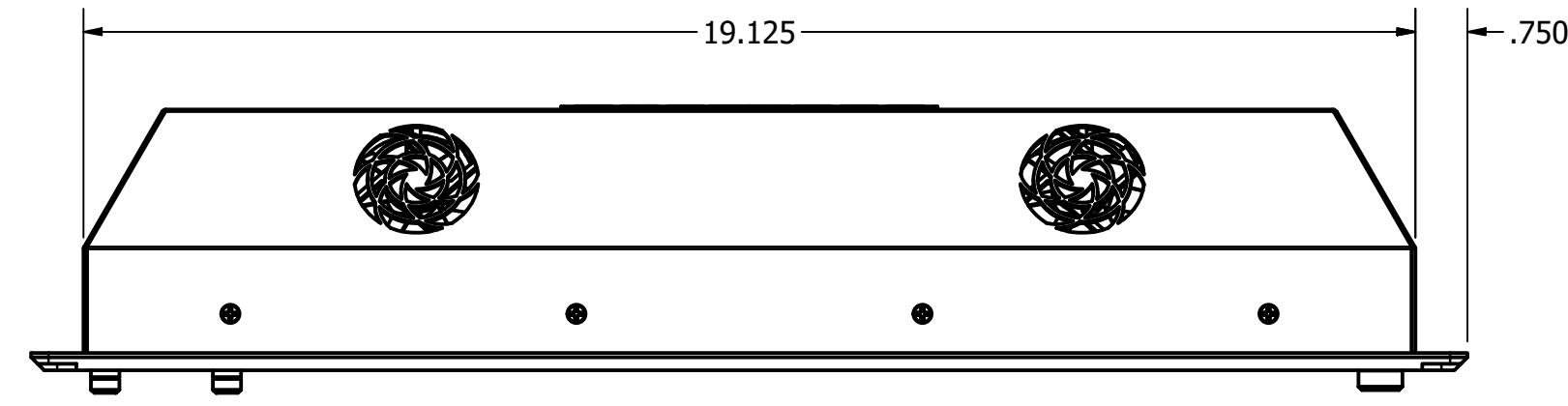


DRAWN BY:		USE WITH PRODUCT NUMBER			
MATERIAL & FINISH		TITLE		OUTLINE DRAWING DIAMONDVUE4	
TOLERANCES: .XX=.01 .XXX=.005		SHEET 4 of 6	SIZE D	PART NUMBER VTDV4#201aCX#	REV 00

20.1" CONSOLE MOUNT (Monitor or Panel Computer)

PRELIMINARY DRAWING
DIMENSIONS ARE SUBJECT TO CHANGE

REVISION HISTORY			
REV	DATE	INITIALS	DESCRIPTION
00	11/27/19	MAW	INITIAL RELEASE

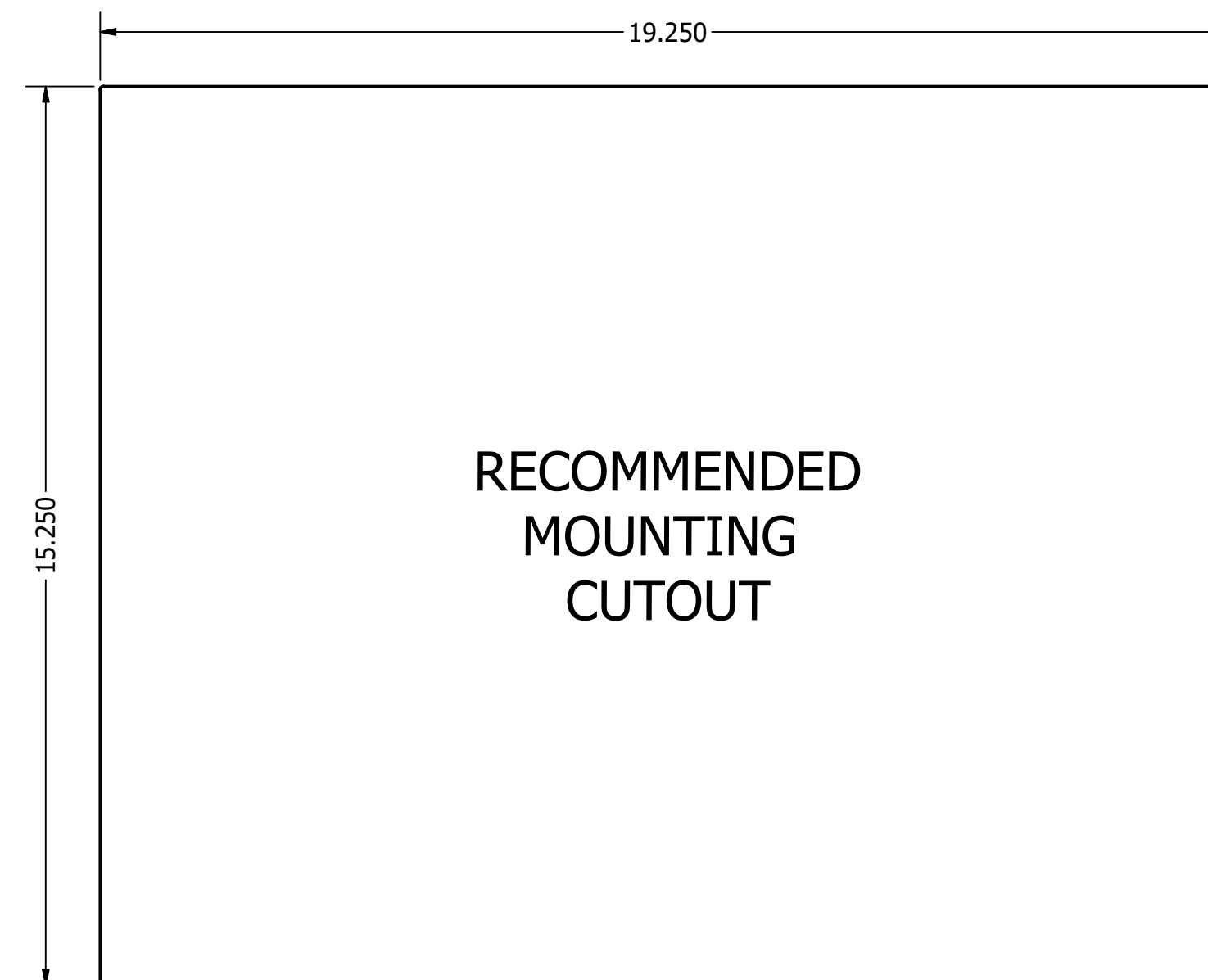
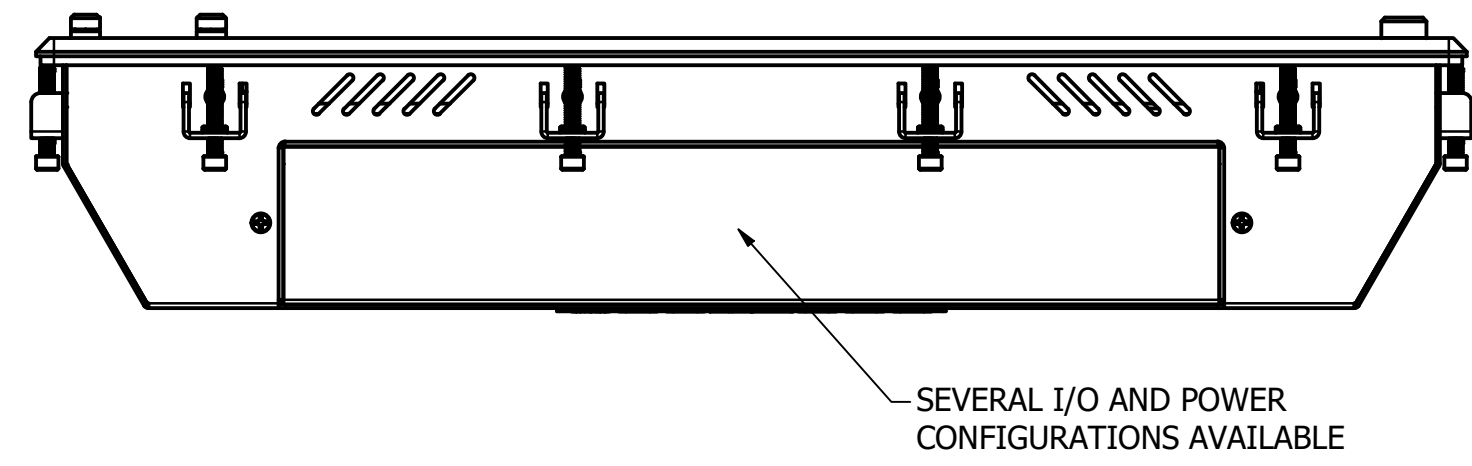
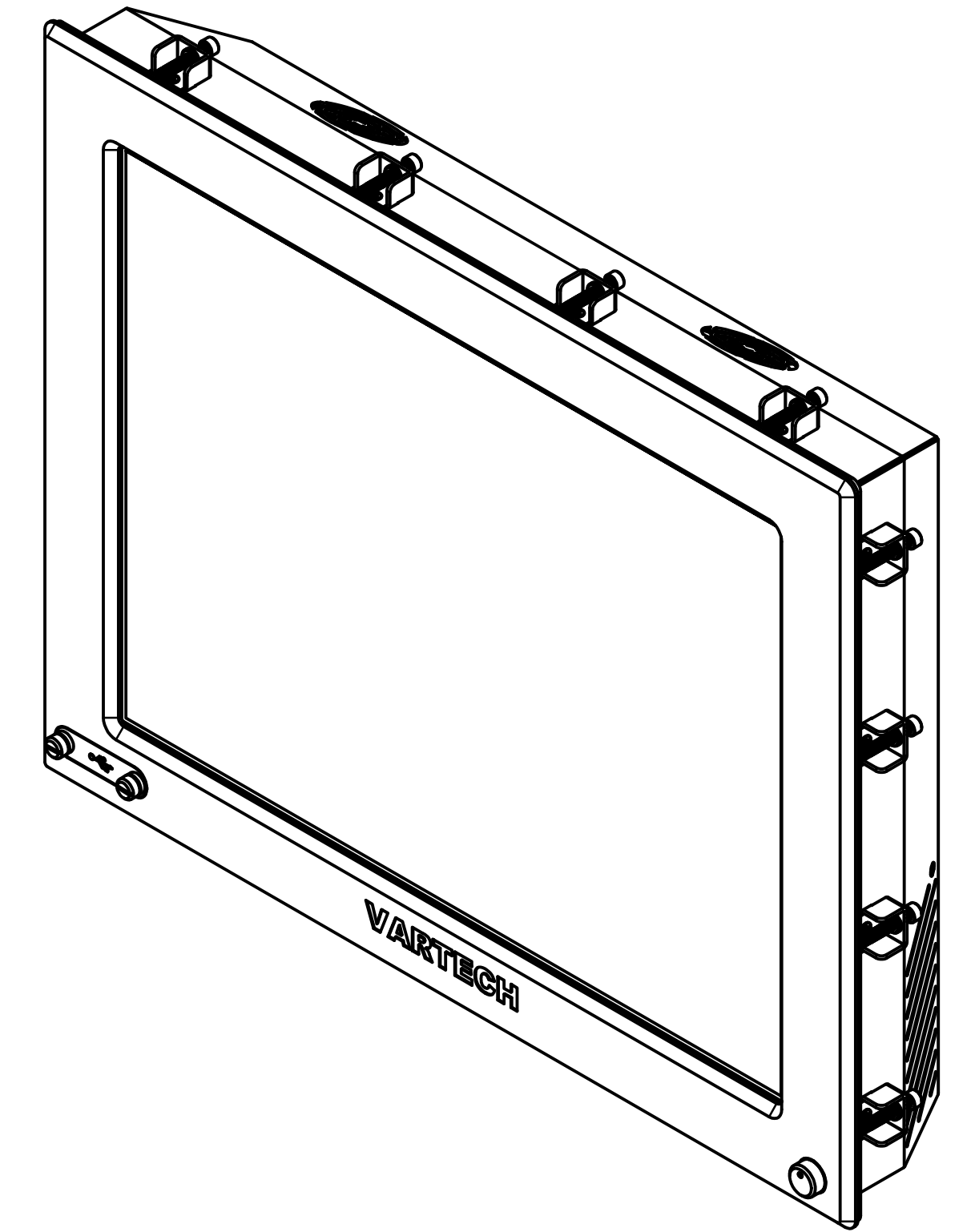
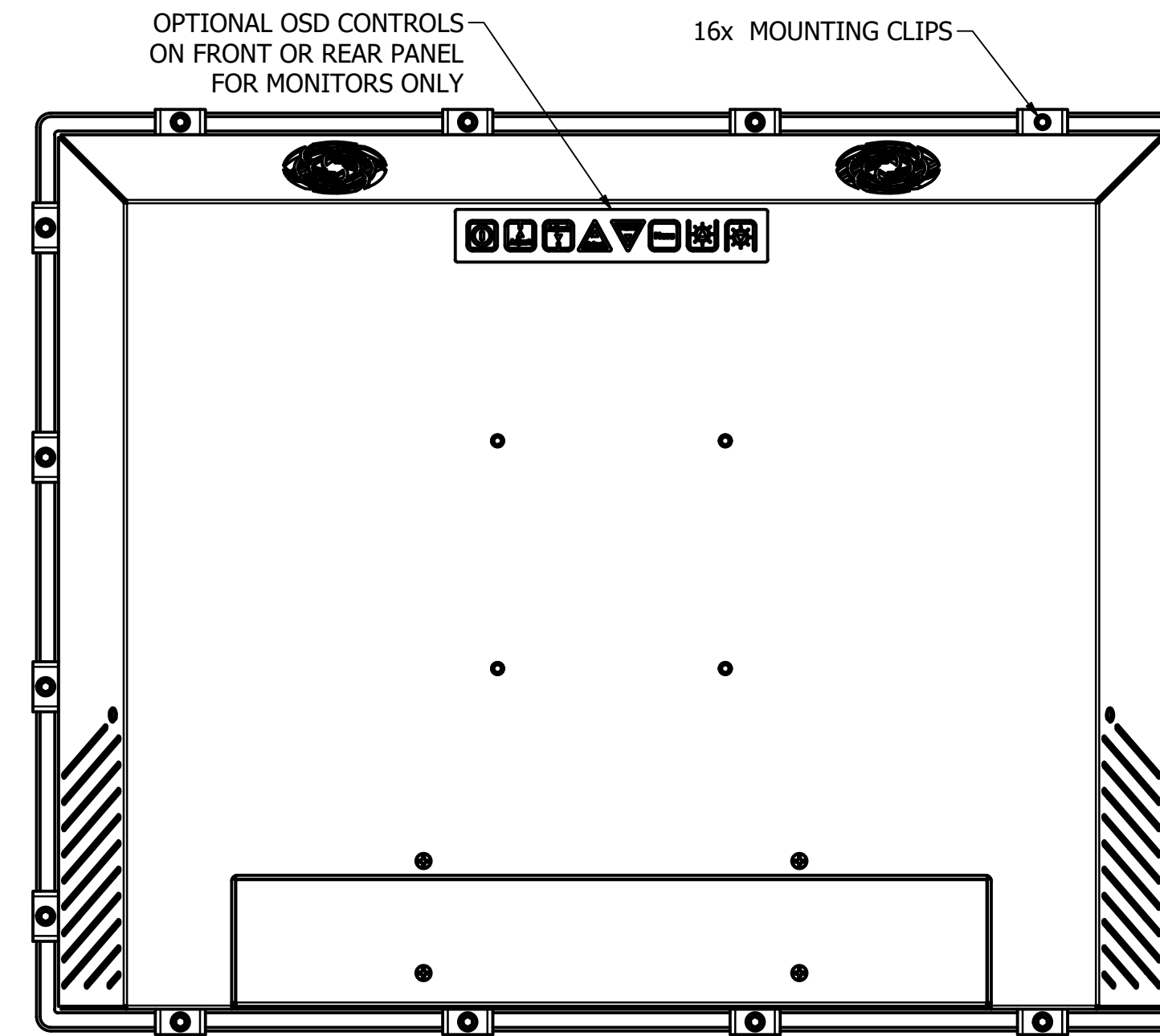
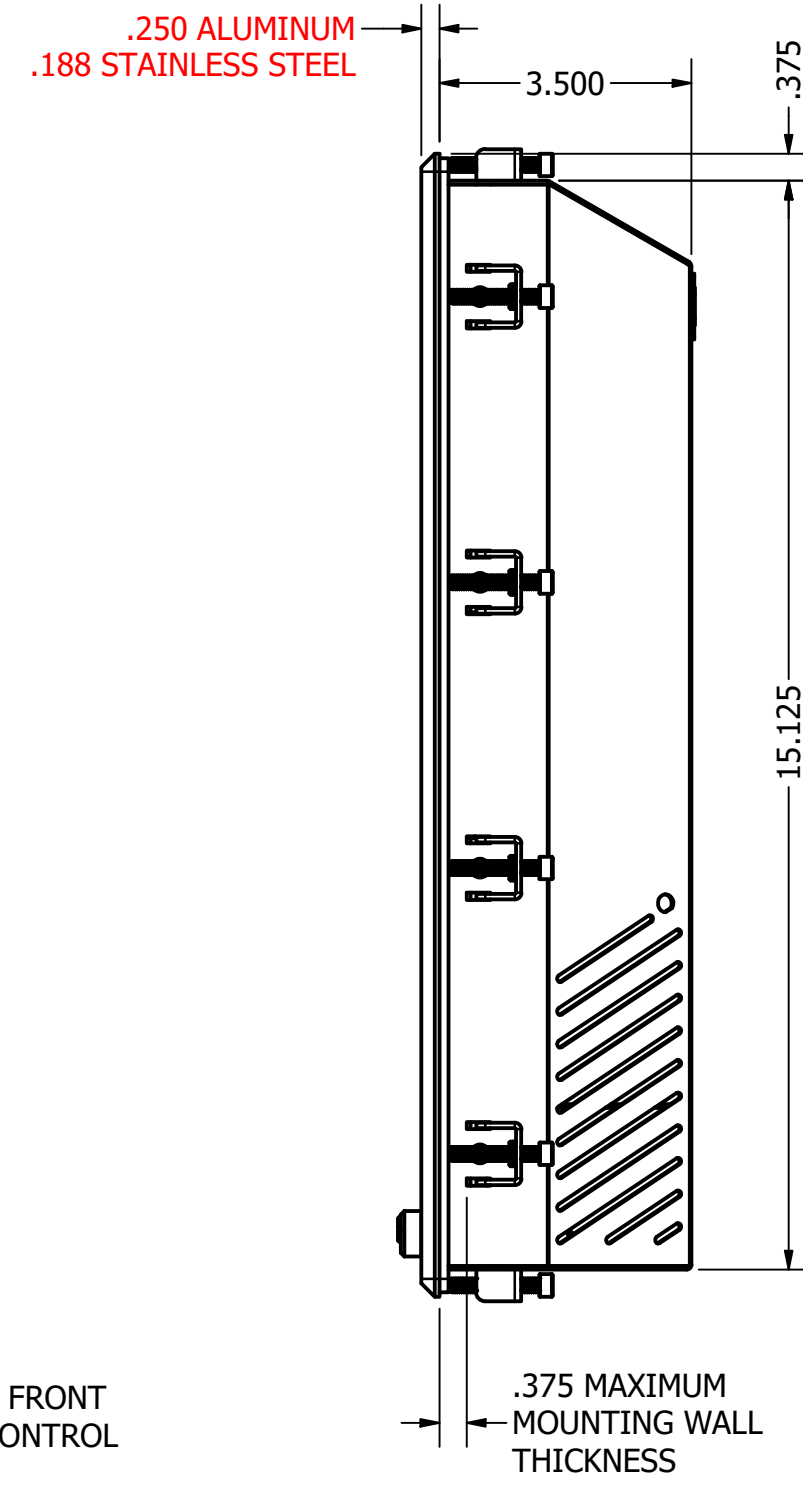
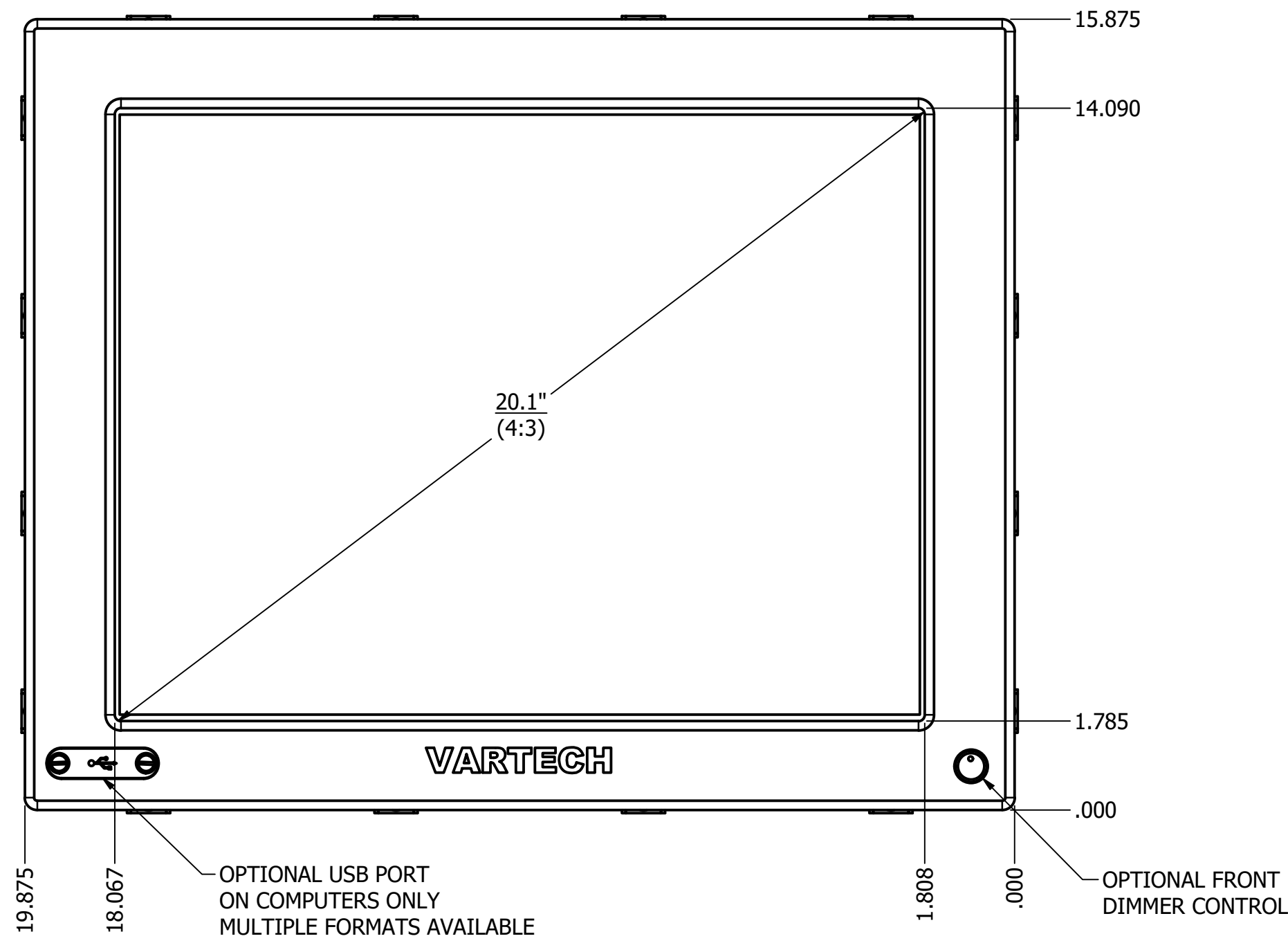
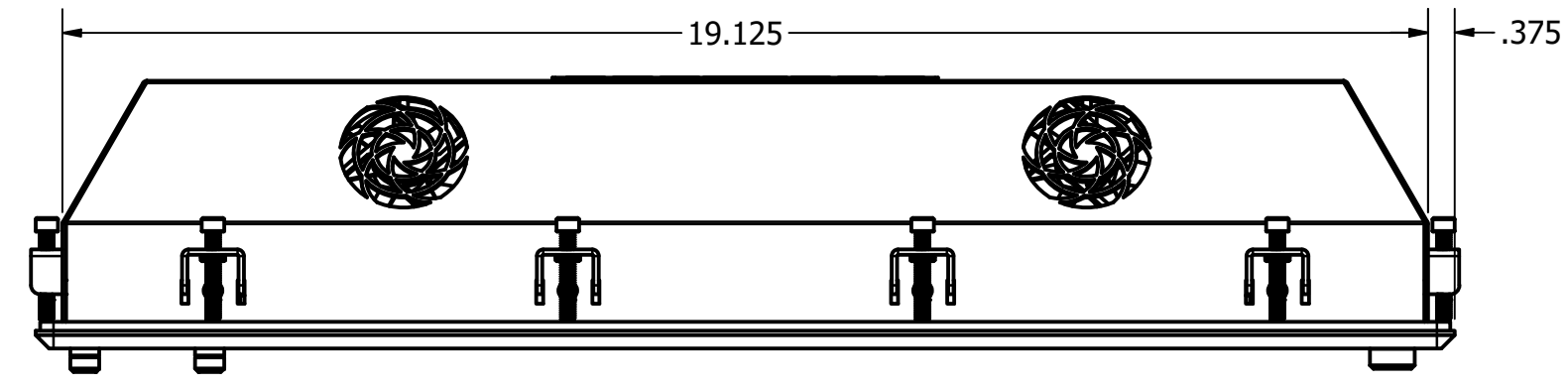


DRAWN BY:		USE WITH PRODUCT NUMBER		
MATERIAL & FINISH		TITLE		OUTLINE DRAWING DIAMONDVUE4
SHEET	SIZE	PART NUMBER	REV	
5 of 6	D	VTDV4#201aCO#	00	
TOLERANCES: .XX=.01 .XXX=.005				

20.1" CLIP MOUNT (Monitor or Panel Computer)

PRELIMINARY DRAWING
DIMENSIONS ARE SUBJECT TO CHANGE

REVISION HISTORY			
REV	DATE	INITIALS	DESCRIPTION
00	11/27/19	MAW	INITIAL RELEASE



DRAWN BY:		USE WITH PRODUCT NUMBER		 VARTECH SYSTEMS INC.
MATERIAL & FINISH		TITLE		OUTLINE DRAWING DIAMONDVUE4
SHEET	SIZE	PART NUMBER	REV	
6 of 6	D	VTDV4#201aCP#	00	
TOLERANCES: .XX=-.01 .XXX=-.005				