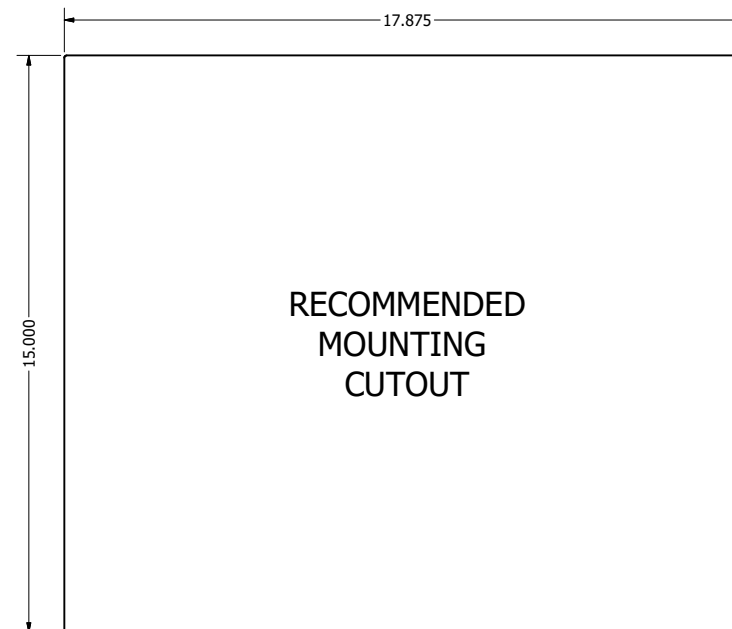
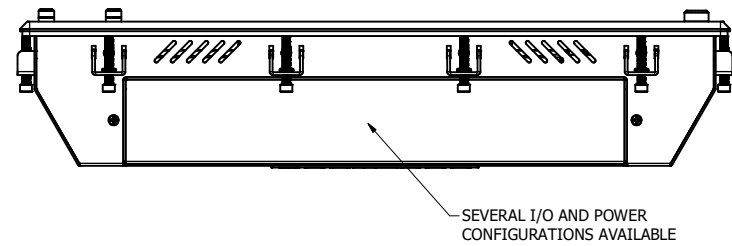
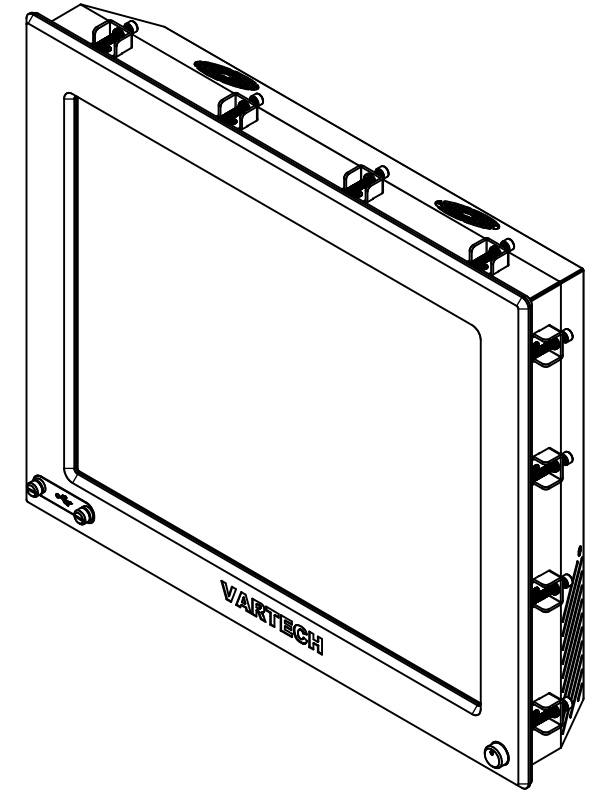
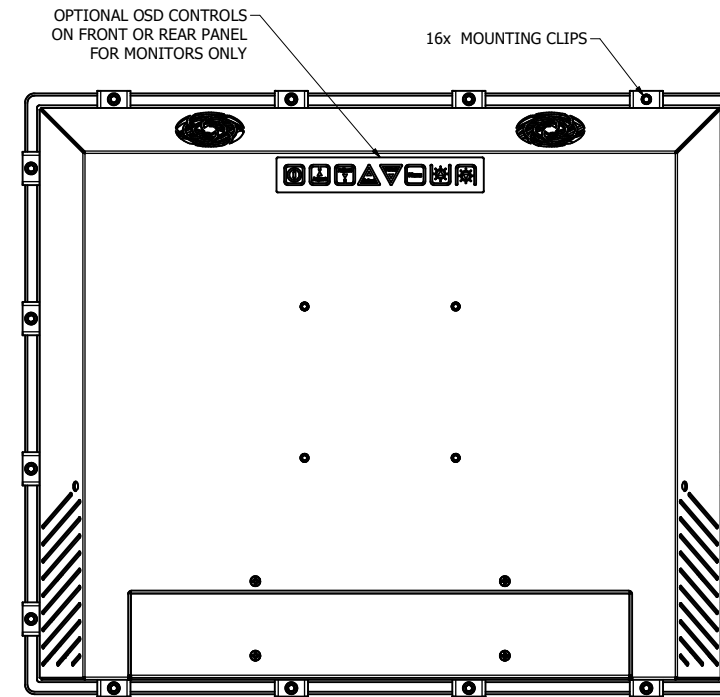
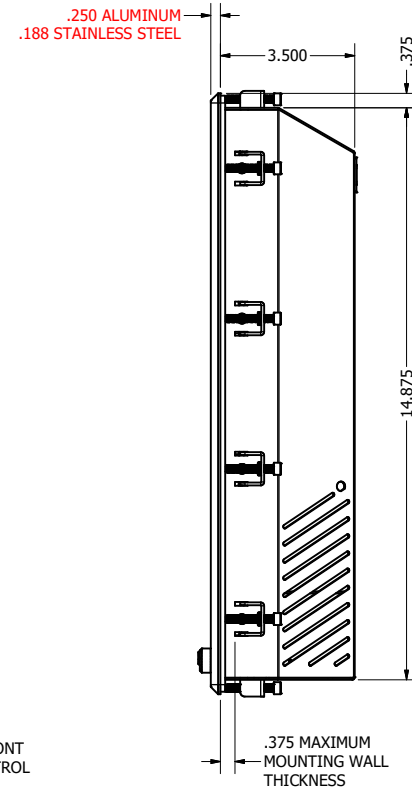
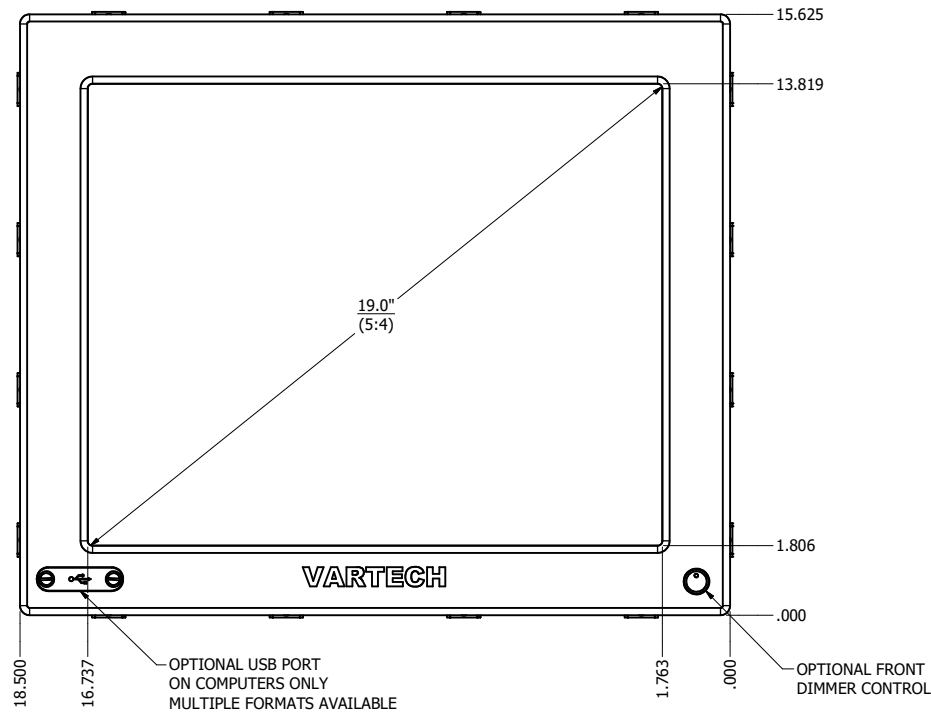
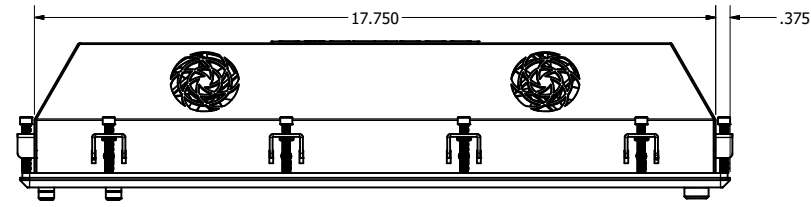


# 19.0" CLIP MOUNT (Monitor or Panel Computer)

PRELIMINARY DRAWING  
DIMENSIONS ARE SUBJECT TO CHANGE

REVISION HISTORY			
REV	DATE	INITIALS	DESCRIPTION
00	11/27/19	MAW	INITIAL RELEASE



DRAWN BY: mwitham		11/26/2019			
USE WITH PRODUCT NUMBER					
MATERIAL & FINISH				TITLE	
				OUTLINE DRAWING DIAMONDVUE 4	
SHEET		SIZE		PART NUMBER	
6 of 7		D		VTDV4#190dCP#	
TOLERANCES: .XX=.01 .XXX=.005				REV	
				00	