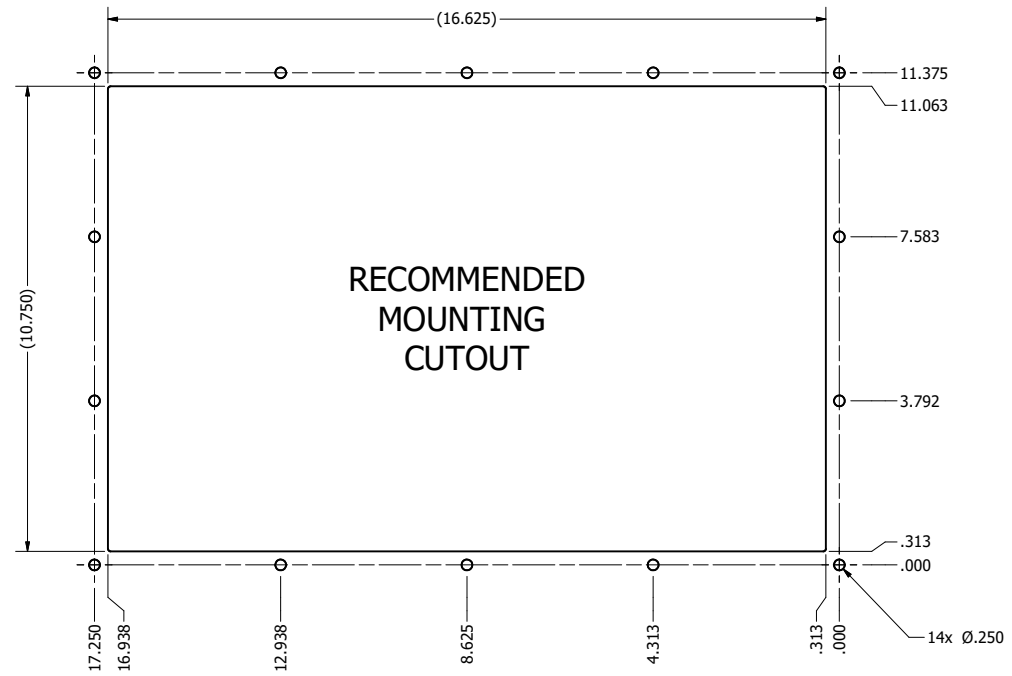
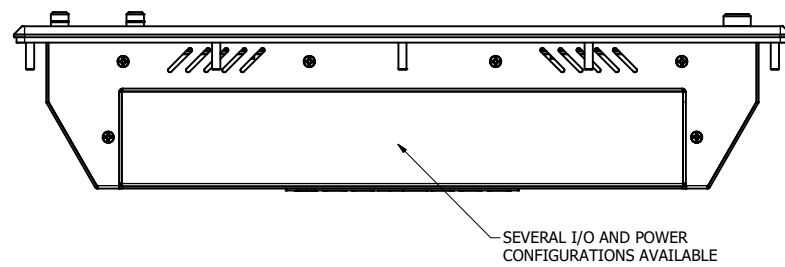
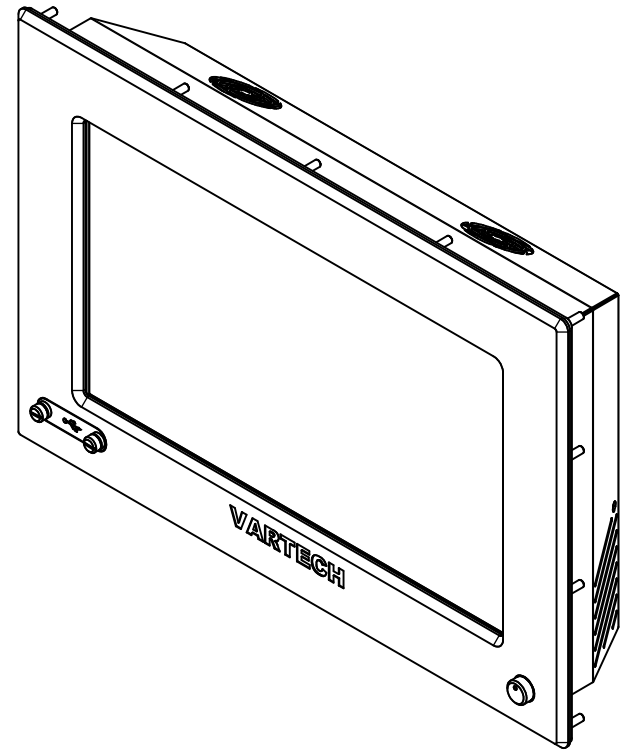
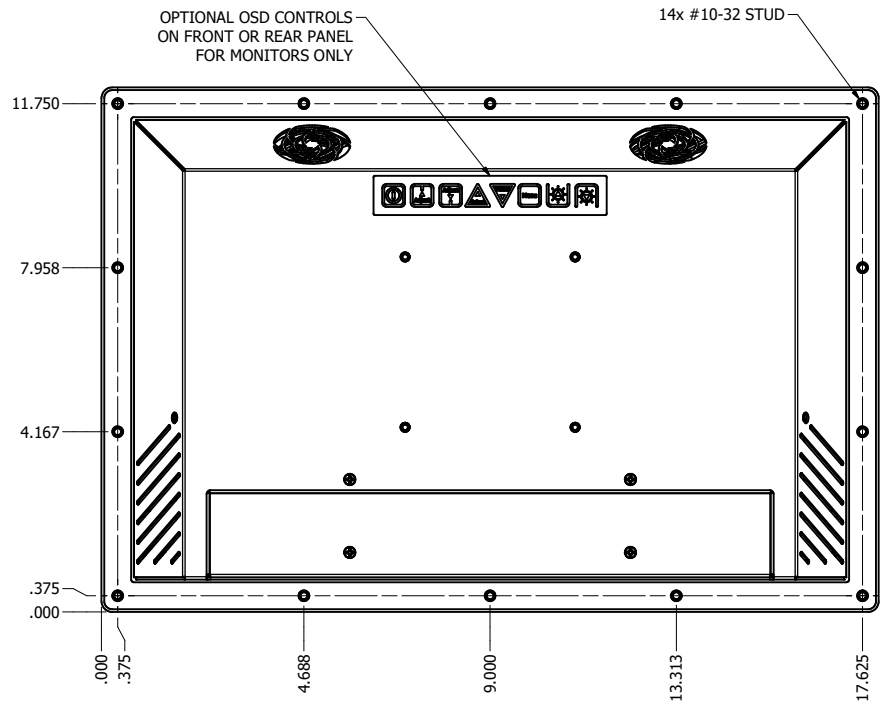
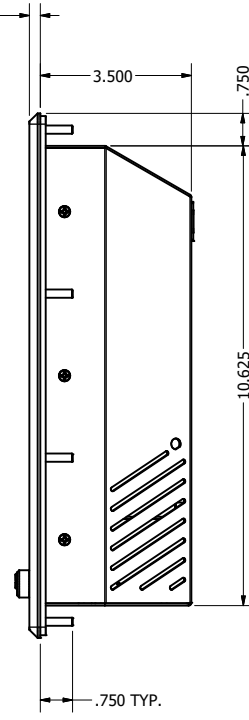
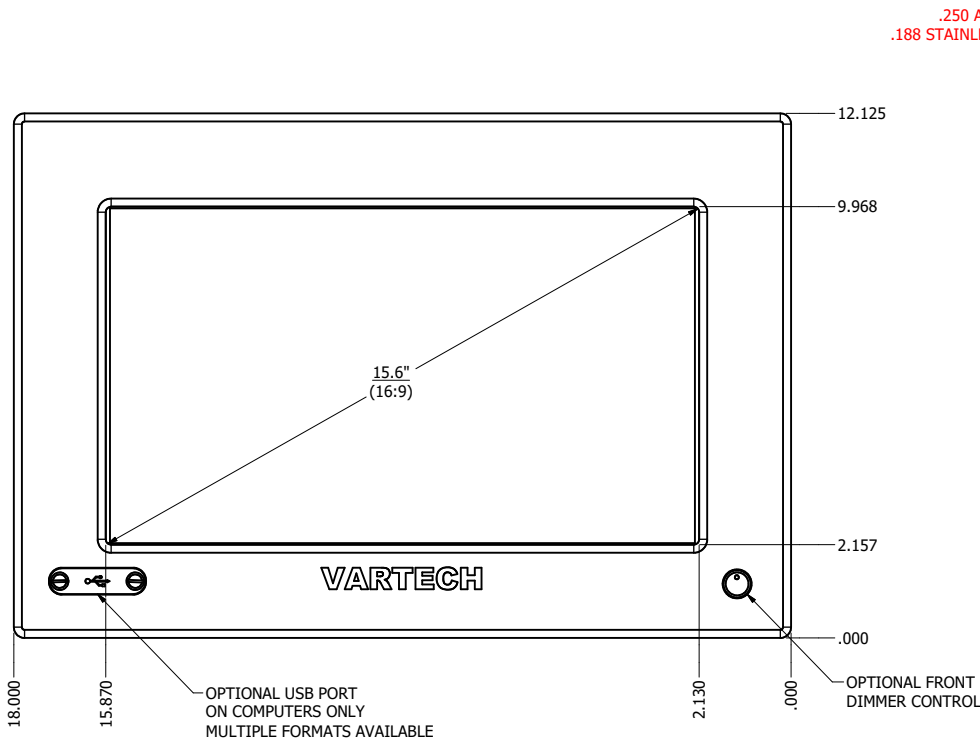
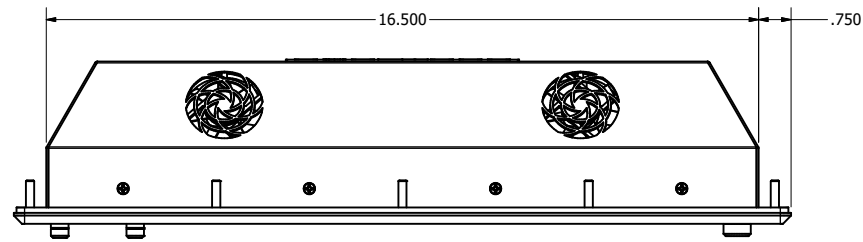


15.6" PANEL MOUNT (Monitor or Panel Computer)

PRELIMINARY DRAWING  
DIMENSIONS ARE SUBJECT TO CHANGE

REVISION HISTORY				
REV	DATE	INITIALS	DESCRIPTION	
00	11/27/19	MAW	INITIAL RELEASE	



DRAWN BY: mwitham		11/26/2019			
USE WITH PRODUCT NUMBER					
MATERIAL & FINISH				TITLE	
				OUTLINE DRAWING	
				DIAMONDVUE 4	
SHEET	SIZE	PART NUMBER	REV		
1 of 7	D	VTDV4#156bPN#	00		
TOLERANCES: .XX=.01 .XXX=.005					