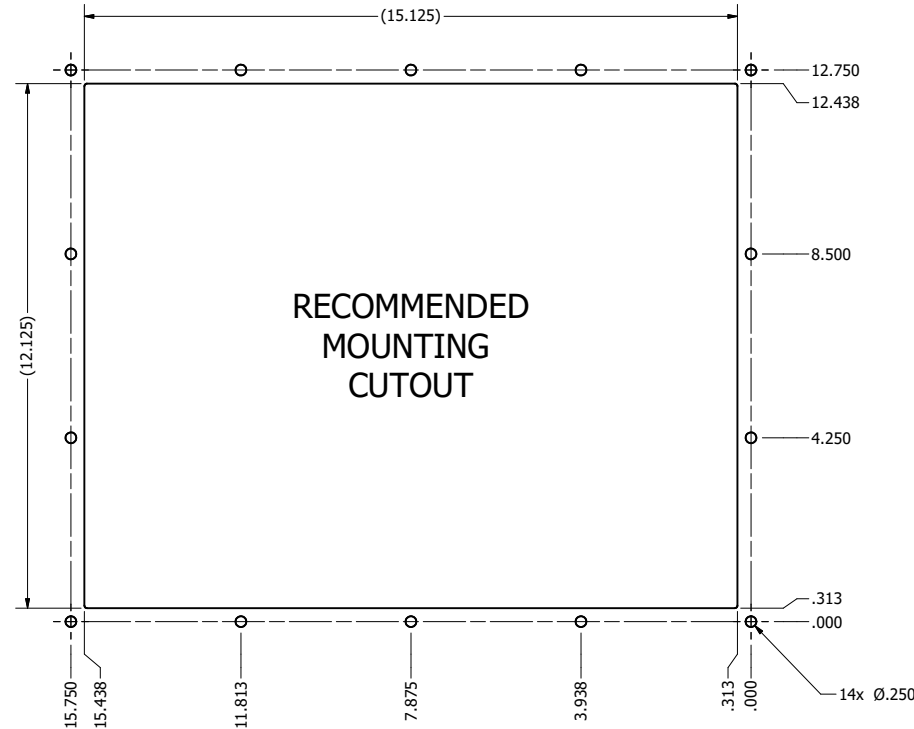
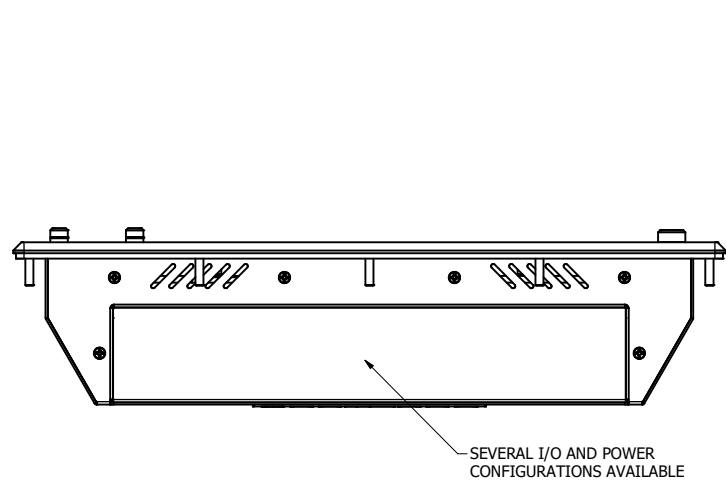
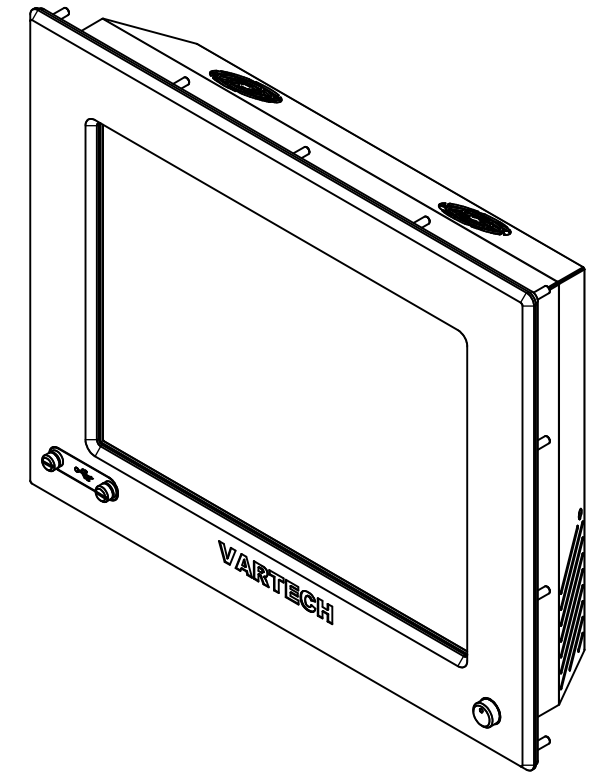
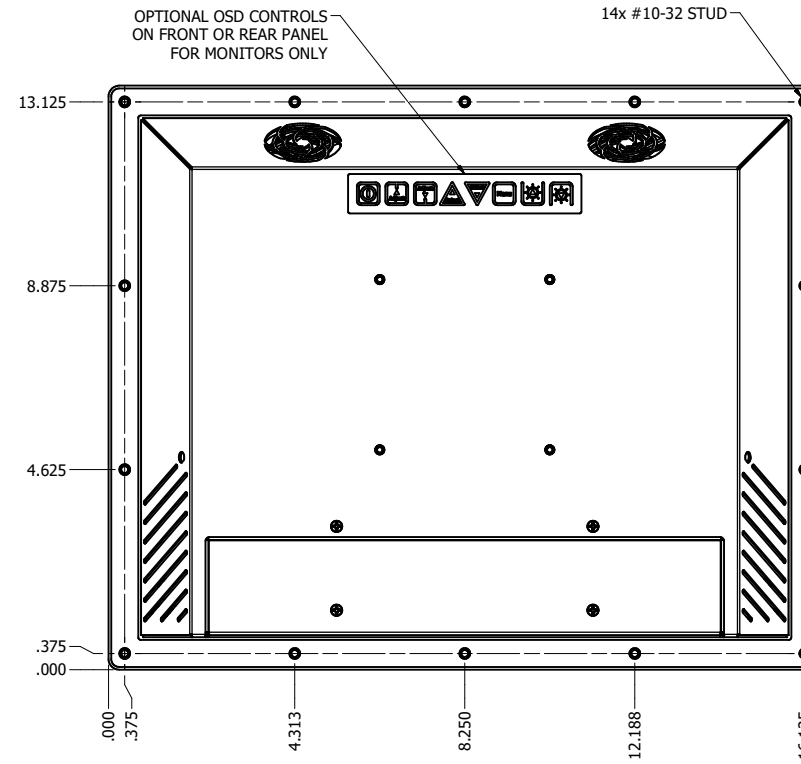
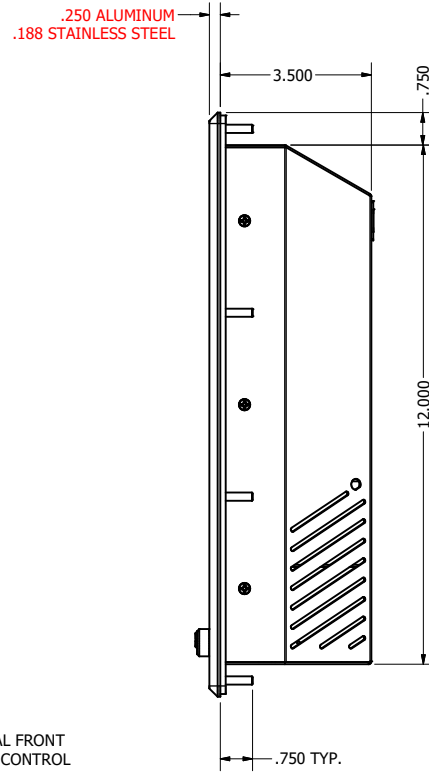
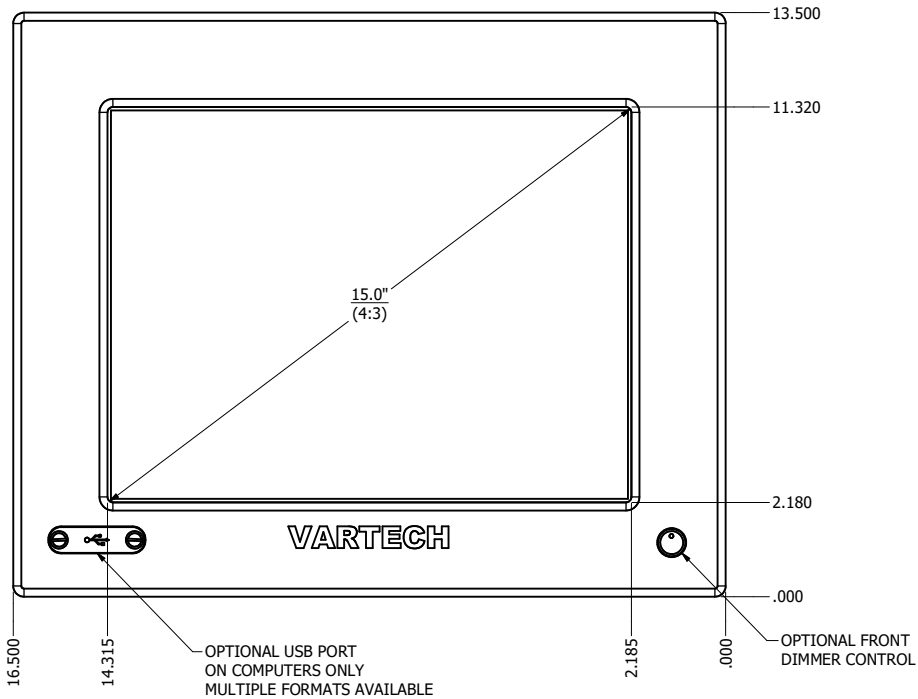
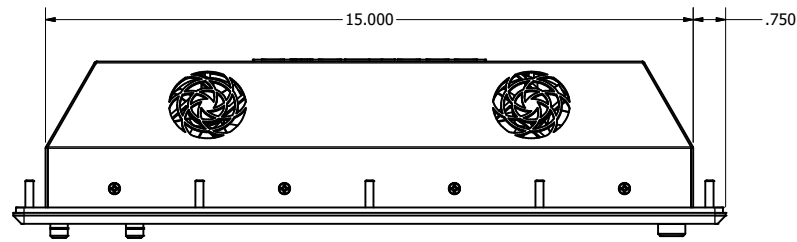


15.0" PANEL MOUNT (Monitor or Panel Computer)

PRELIMINARY DRAWING
DIMENSIONS ARE SUBJECT TO CHANGE

REVISION HISTORY			
REV	DATE	INITIALS	DESCRIPTION
00	11/27/19	MAW	INITIAL RELEASE



DRAWN BY: mwitham		11/26/2019	
USE WITH PRODUCT NUMBER			
TITLE			
OUTLINE DRAWING DIAMONDVUE 4			
SHEET	SIZE	PART NUMBER	REV
1 of 7	D	VTDV4#150aPN#	00
TOLERANCES: .XX=.01 .XXX=.005			

