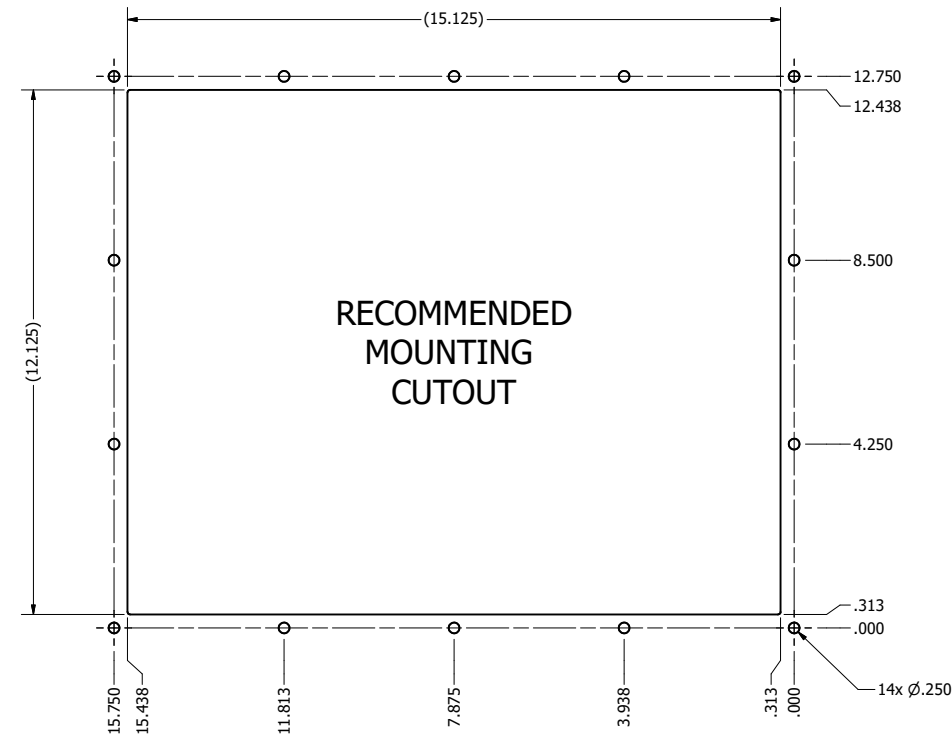
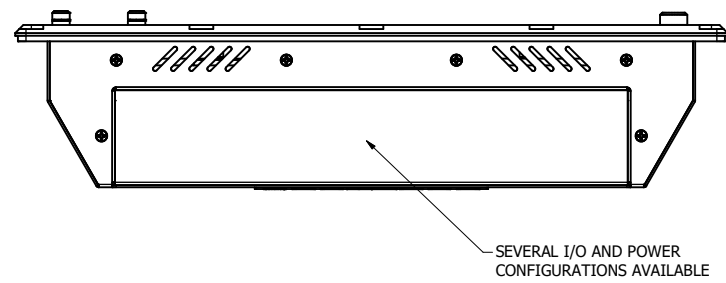
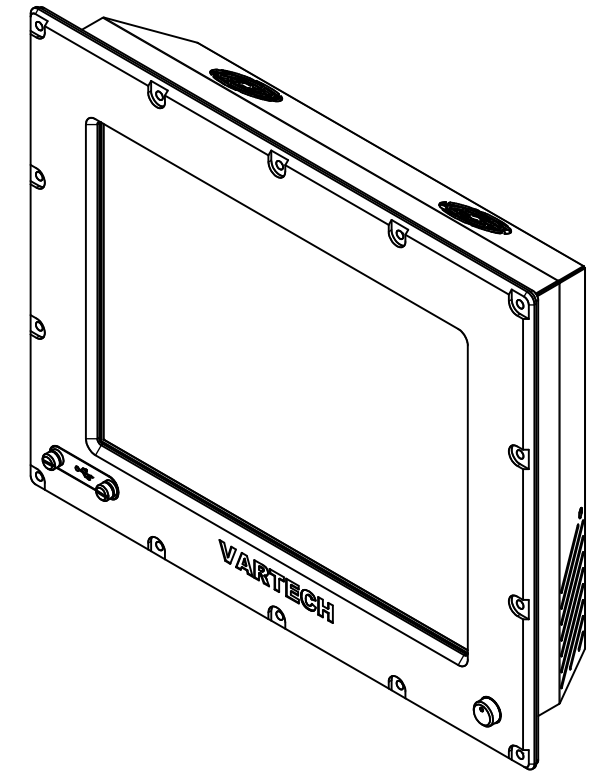
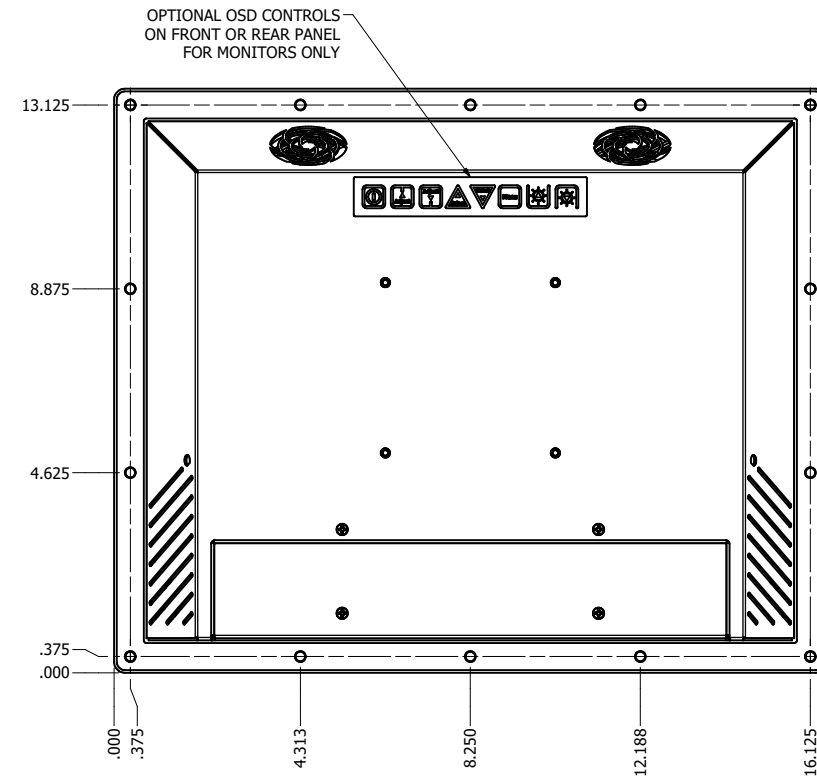
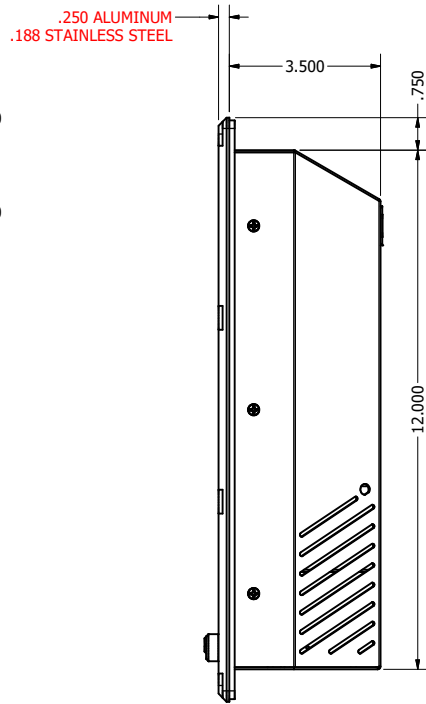
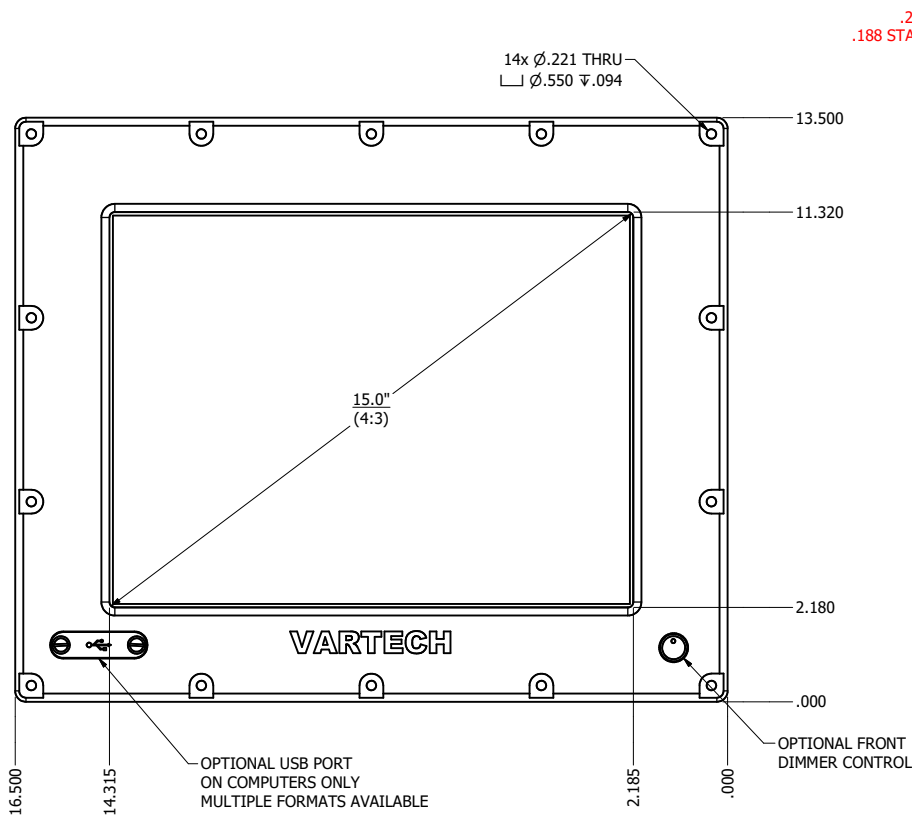
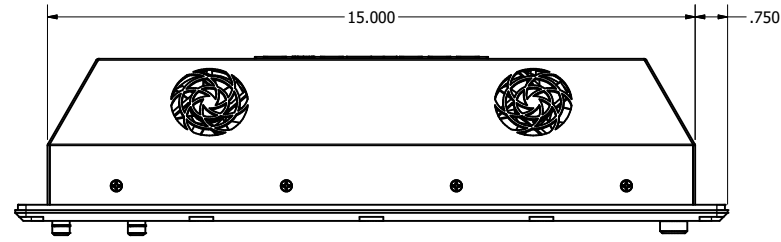


# 15.0" CONSOLE MOUNT EXTREME (Monitor or Panel Computer)

PRELIMINARY DRAWING  
DIMENSIONS ARE SUBJECT TO CHANGE

REVISION HISTORY				
REV	DATE	INITIALS	DESCRIPTION	
00	11/27/19	MAW	INITIAL RELEASE	



DRAWN BY: mwitham		11/26/2019		
USE WITH PRODUCT NUMBER				
MATERIAL & FINISH				TITLE
				OUTLINE DRAWING DIAMONDVUE 4
SHEET	SIZE	PART NUMBER	REV	
4 of 7	D	VTDV4#150aCX#	00	
TOLERANCES: .XX=.01 .XXX=.005				