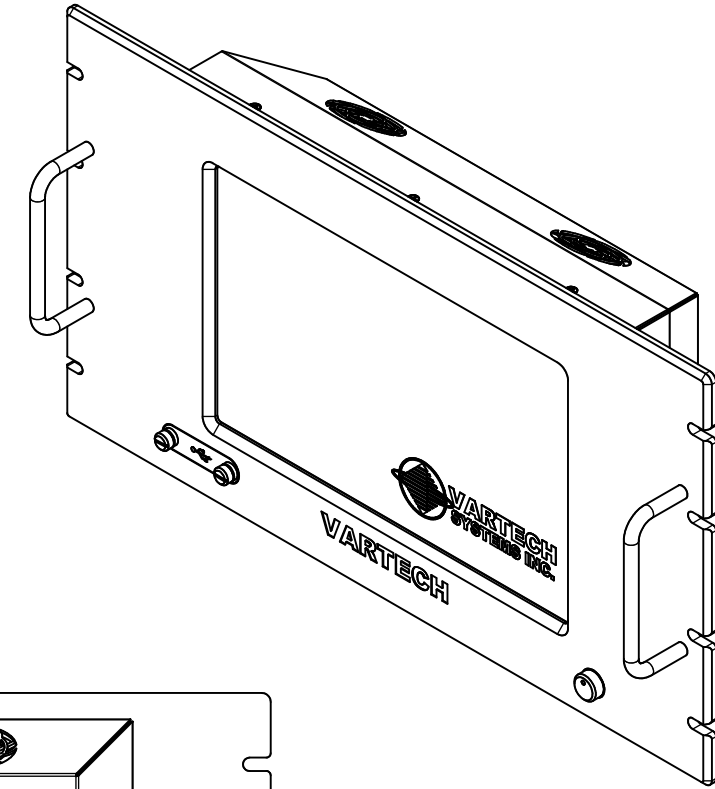
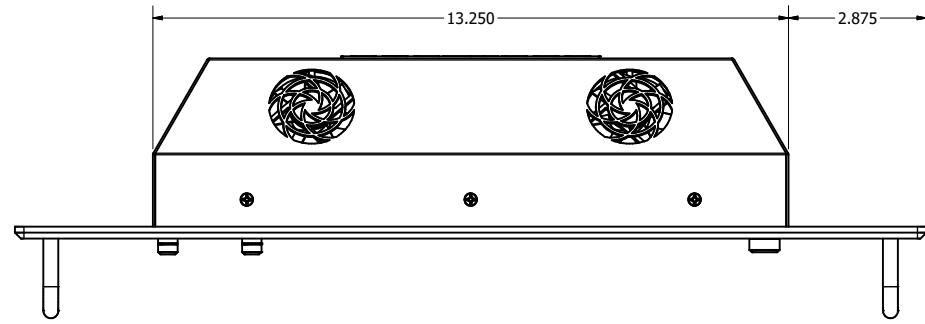


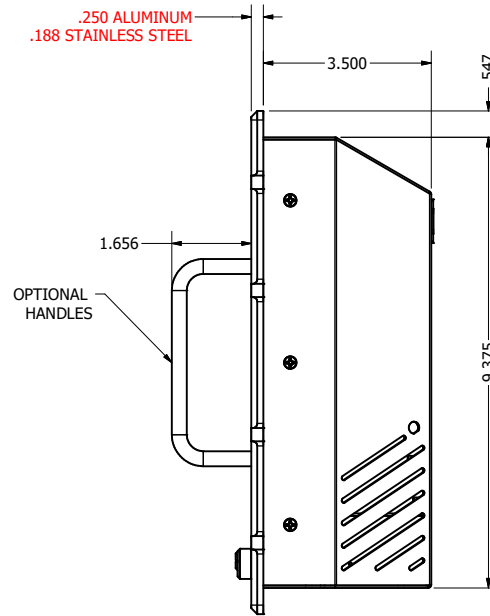
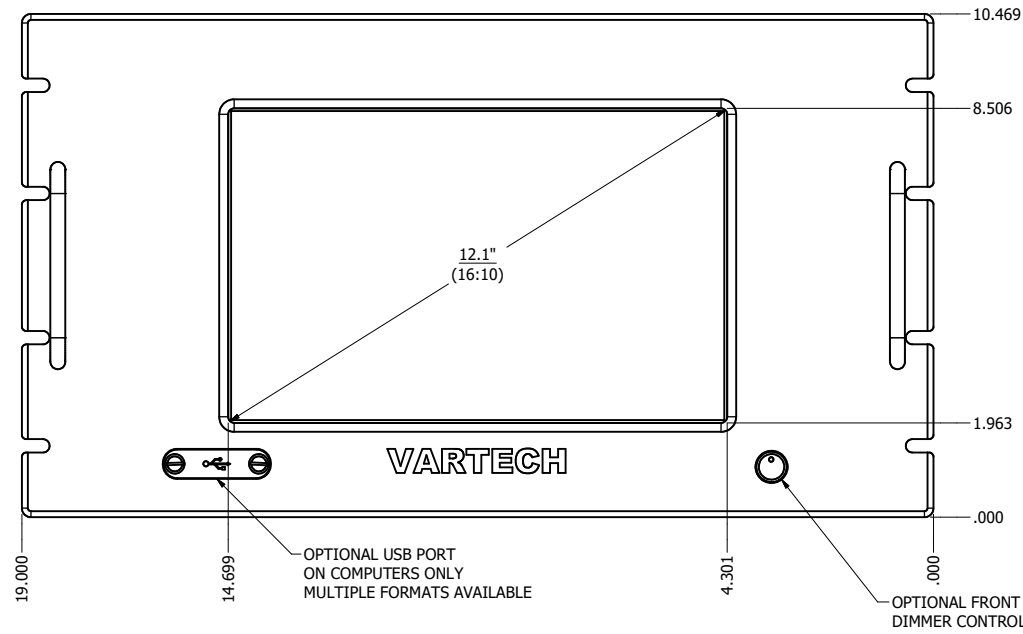
12.1" RACK MOUNT (Monitor or Panel Computer)

PRELIMINARY DRAWING
DIMENSIONS ARE SUBJECT TO CHANGE

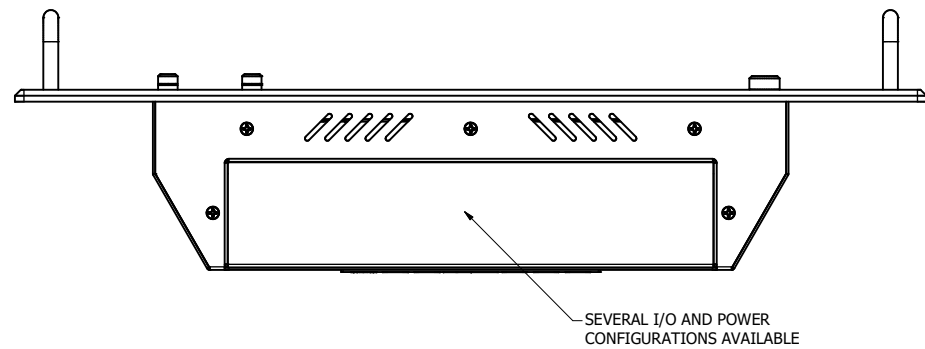
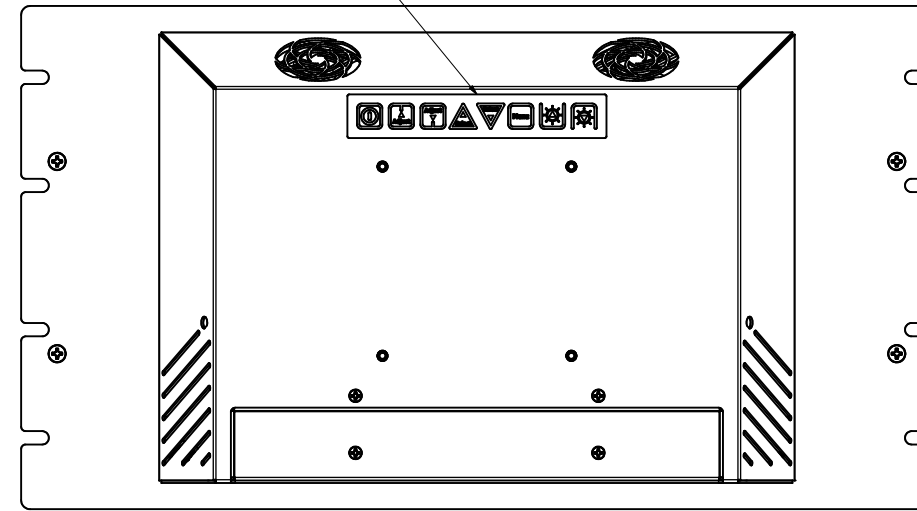
REVISION HISTORY			
REV	DATE	INITIALS	DESCRIPTION
00	11/27/19	MAW	INITIAL RELEASE



RACK HAS A 6U HEIGHT



OPTIONAL OSD CONTROLS ON FRONT OR REAR PANEL FOR MONITORS ONLY



DRAWN BY:		USE WITH PRODUCT NUMBER			
MATERIAL & FINISH		TITLE			
TOLERANCES: .XX=.01 .XXX=.005		3 OF 7		OUTLINE DRAWING DIAMONDVUE 4	
SHEET	SIZE	PART NUMBER	REV		
3 OF 7	D	VTDV4#121cRK#	00		