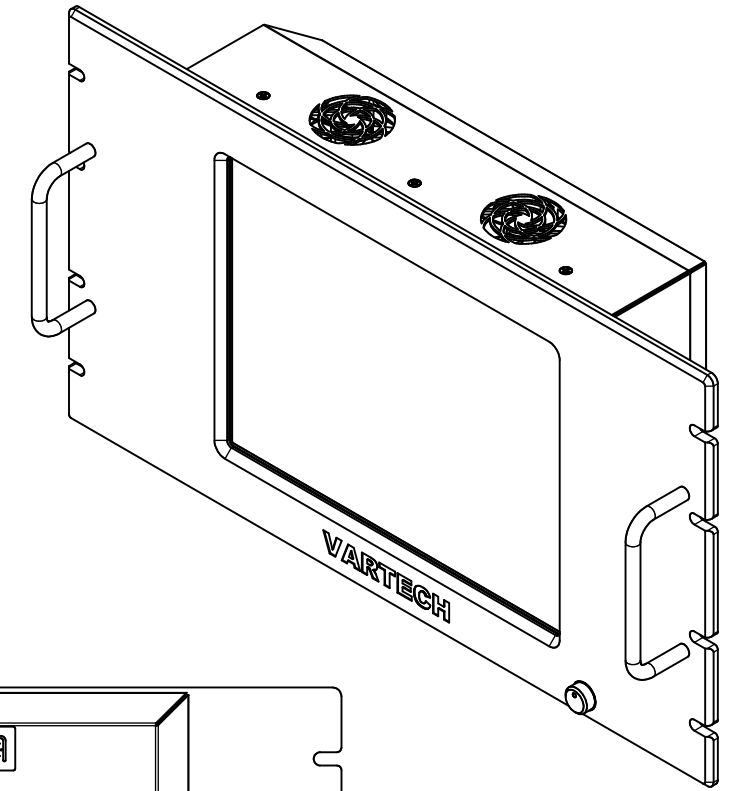
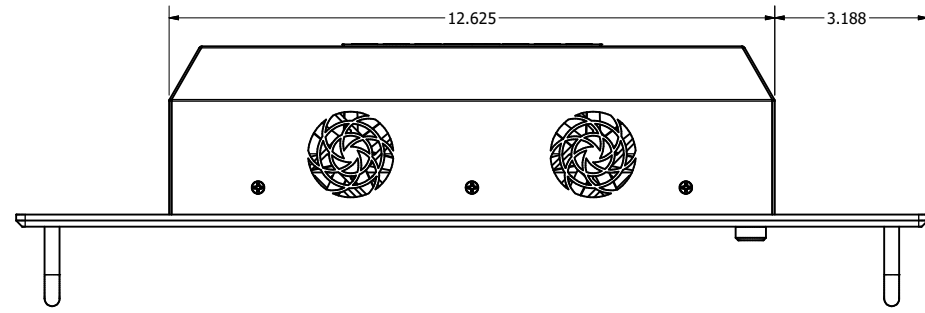


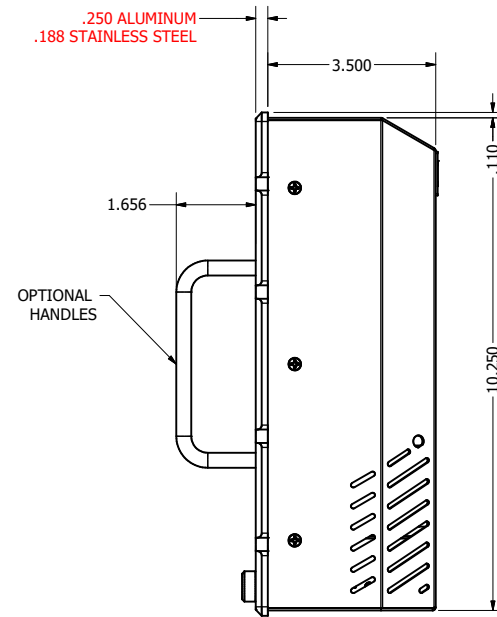
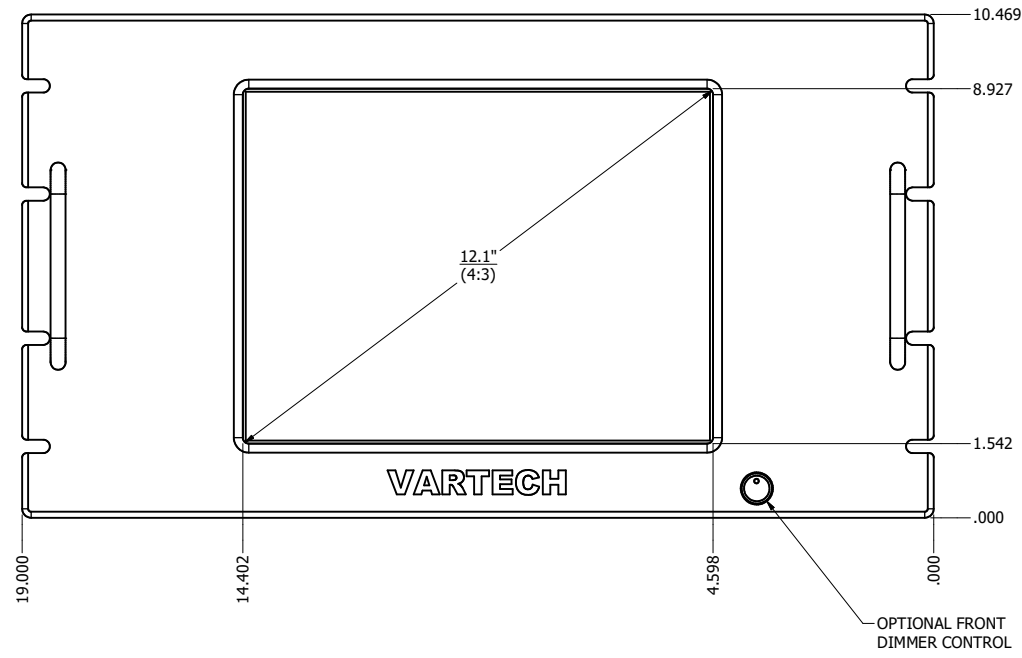
12.1" RACK MOUNT (Monitor or Panel Computer)

PRELIMINARY DRAWING  
DIMENSIONS ARE SUBJECT TO CHANGE

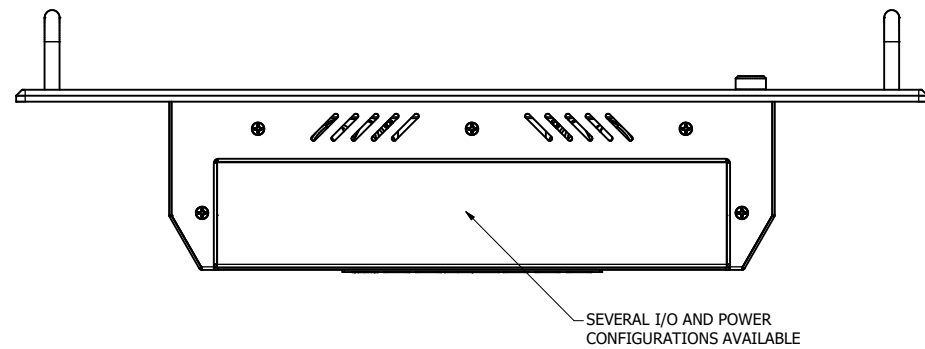
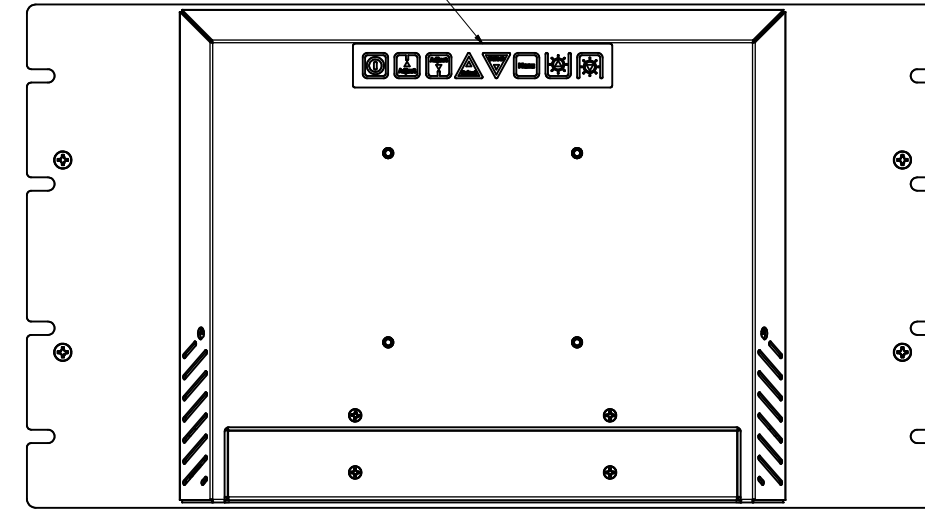
| REVISION HISTORY |          |          |                 |
|------------------|----------|----------|-----------------|
| REV              | DATE     | INITIALS | DESCRIPTION     |
| 00               | 11/27/19 | MAW      | INITIAL RELEASE |



**RACK HAS A 6U HEIGHT**



OPTIONAL OSD CONTROLS  
ON FRONT OR REAR PANEL  
FOR MONITORS ONLY



|                                 |      |                         |     |                                 |  |
|---------------------------------|------|-------------------------|-----|---------------------------------|--|
| DRAWN BY:                       |      | USE WITH PRODUCT NUMBER |     |                                 |  |
| MATERIAL & FINISH               |      | TITLE                   |     |                                 |  |
| TOLERANCES: .XX=-.01 .XXX=-.005 |      | 3 OF 7                  |     | OUTLINE DRAWING<br>DIAMONDVUE 4 |  |
| SHEET                           | SIZE | PART NUMBER             | REV |                                 |  |
| 3 OF 7                          | D    | VTDV4#121aRK#           | 00  |                                 |  |