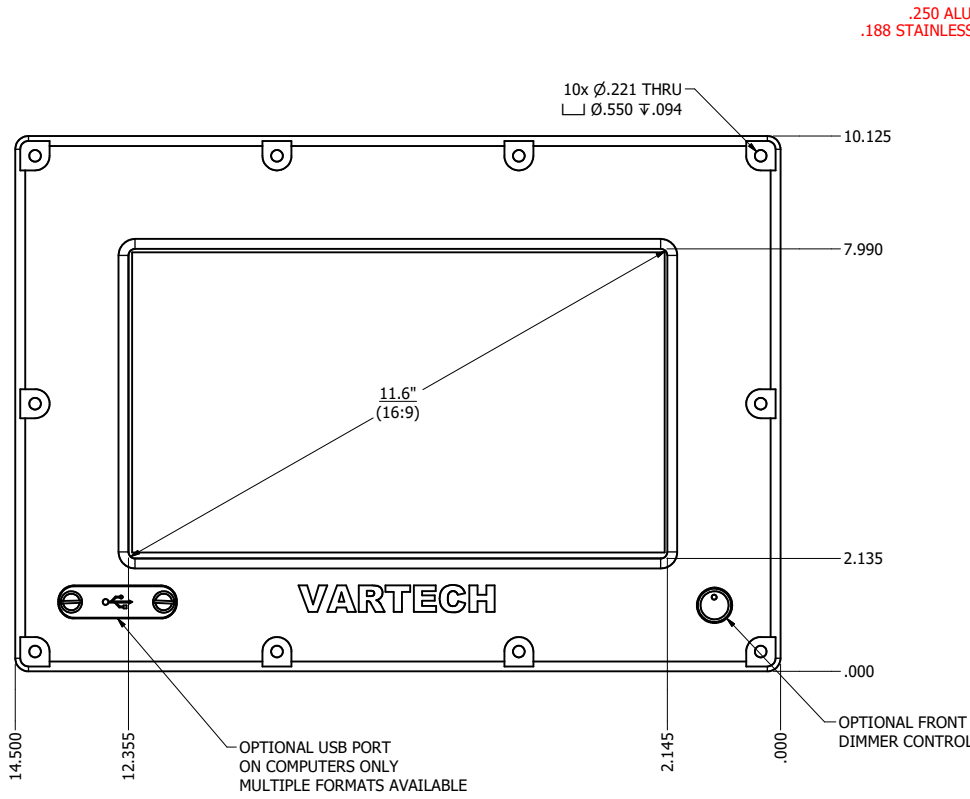
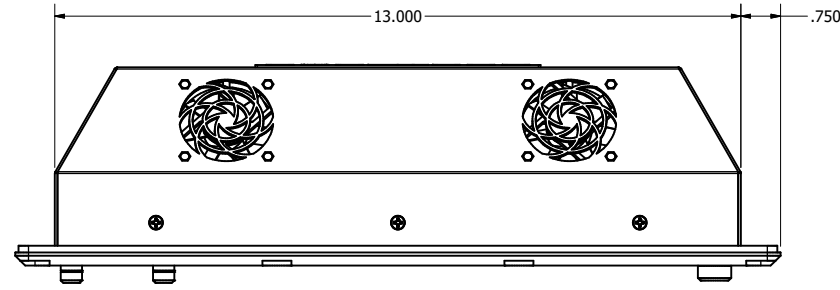


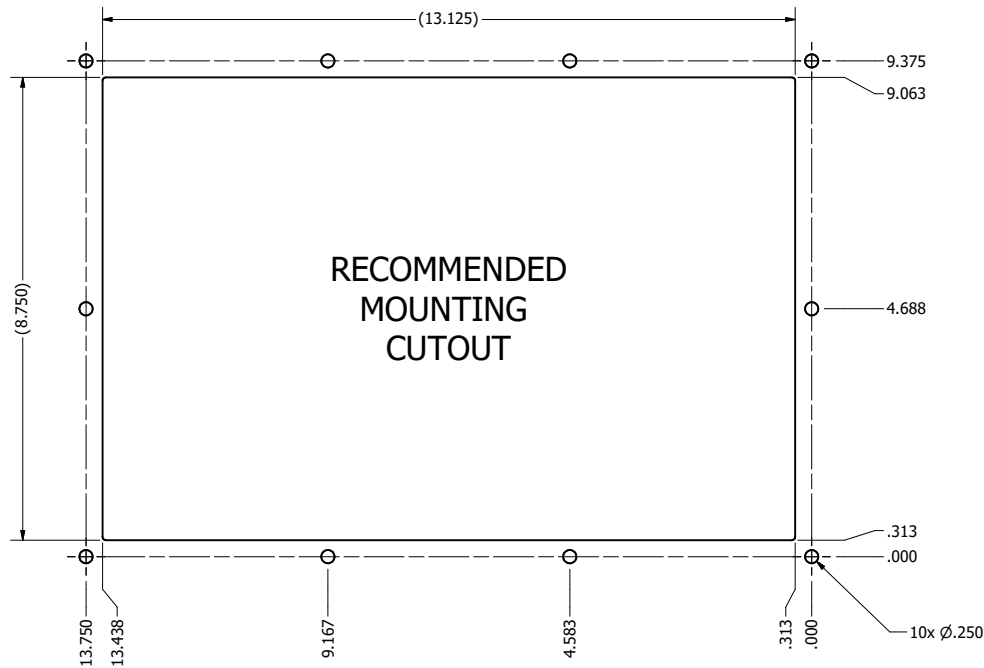
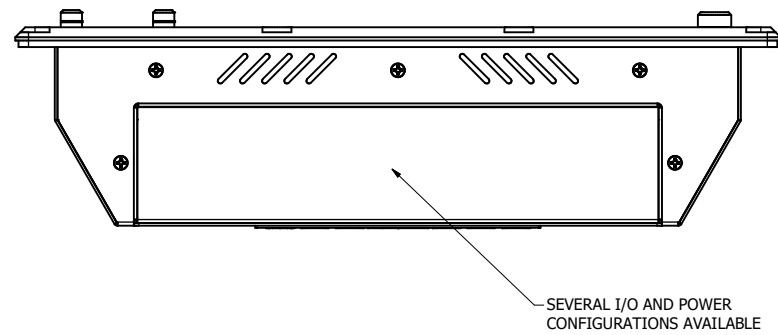
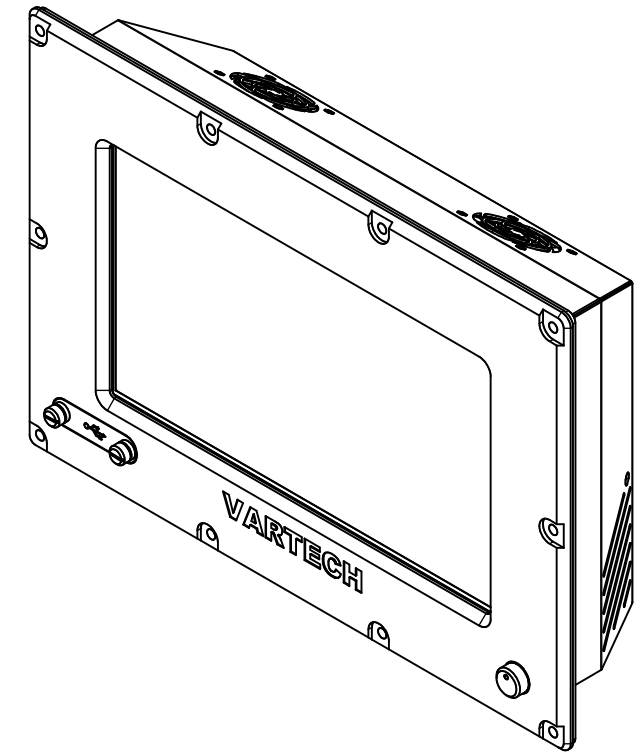
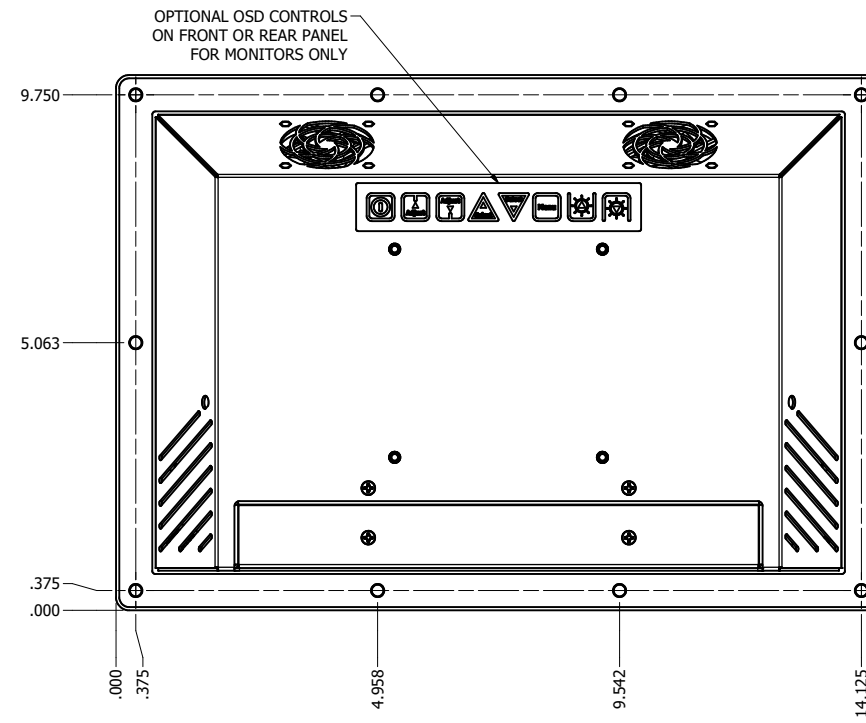
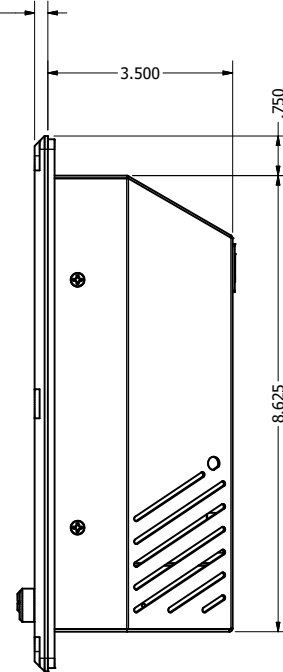
# 11.6" CONSOLE MOUNT EXTREME (Monitor or Panel Computer)

PRELIMINARY DRAWING  
DIMENSIONS ARE SUBJECT TO CHANGE

REVISION HISTORY			
REV	DATE	INITIALS	DESCRIPTION
00	11/27/19	MAW	INITIAL RELEASE



.250 ALUMINUM  
.188 STAINLESS STEEL



DRAWN BY:		USE WITH PRODUCT NUMBER		
MATERIAL & FINISH		TITLE		
TOLERANCES: .XX=.01 .XXX=.005		SHEET 4 OF 7		OUTLINE DRAWING DIAMONDVUE 4
		SIZE D	PART NUMBER VTDV4#116bCX#	REV 00