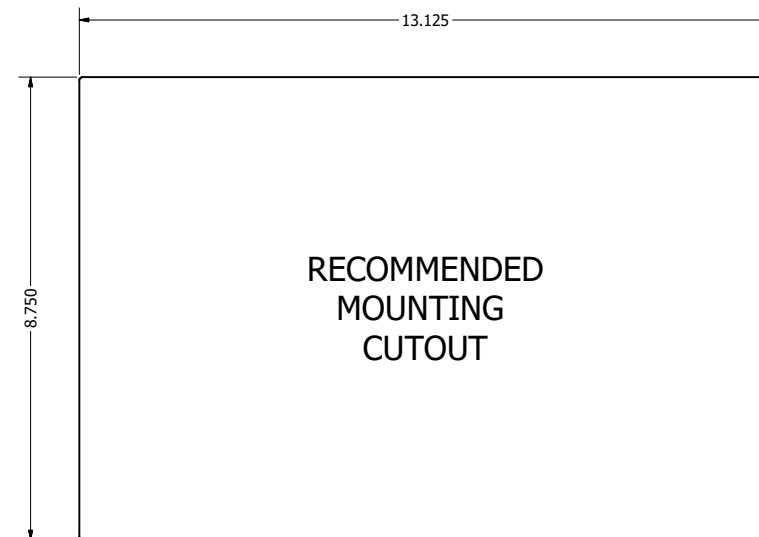
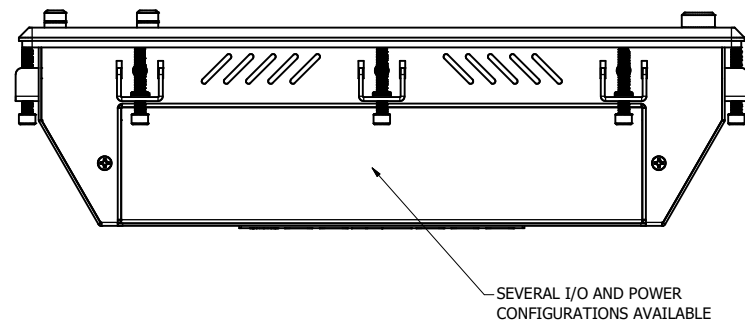
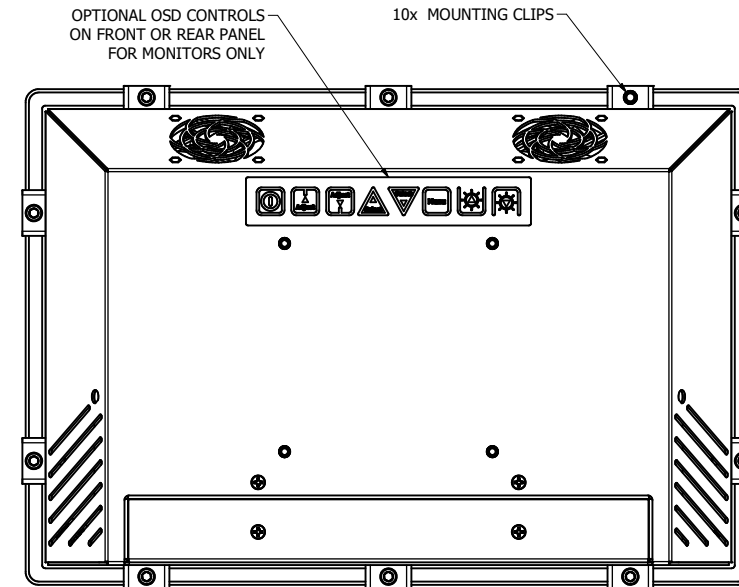
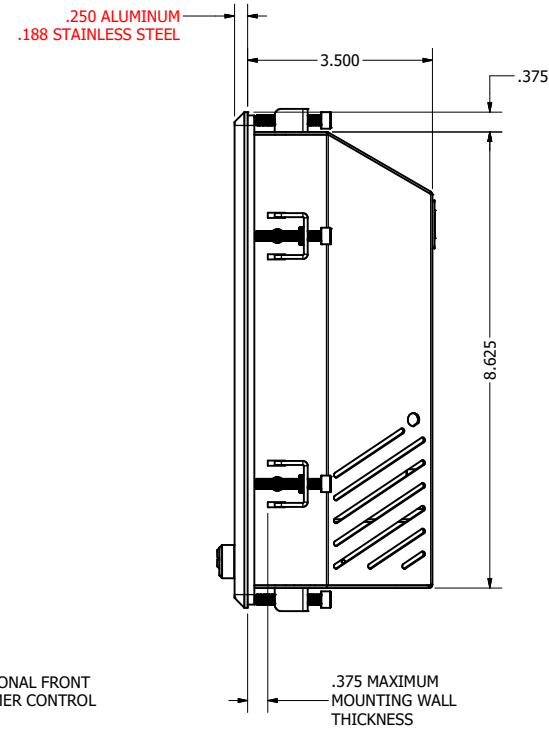
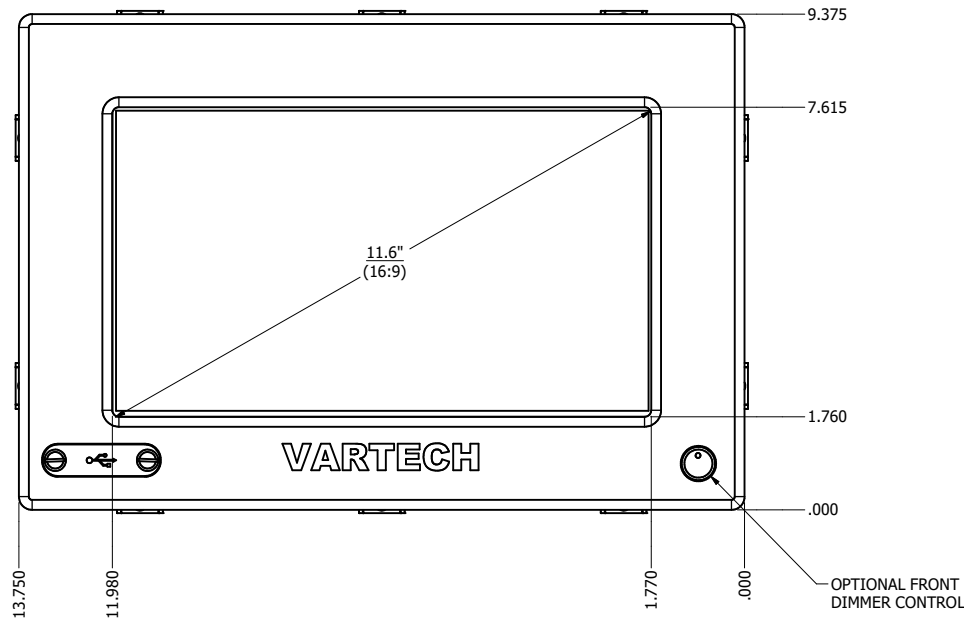
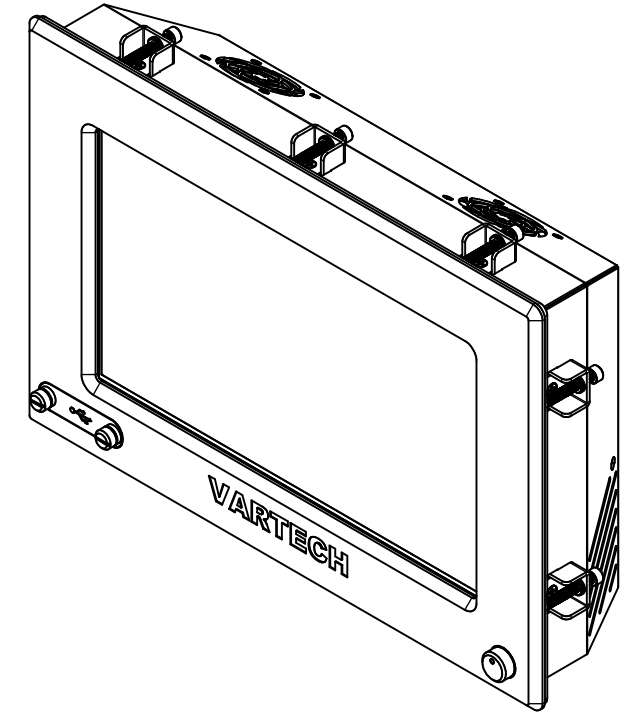
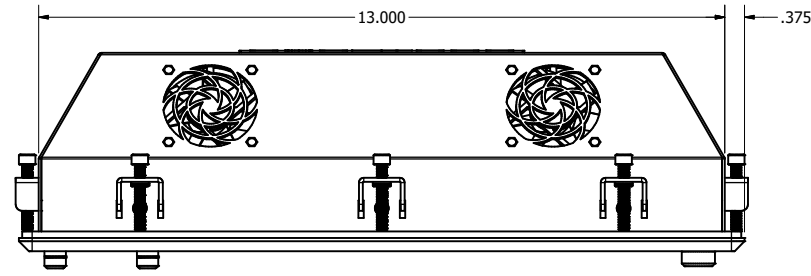


11.6" CLIP MOUNT (Monitor or Panel Computer)

PRELIMINARY DRAWING
DIMENSIONS ARE SUBJECT TO CHANGE

REVISION HISTORY			
REV	DATE	INITIALS	DESCRIPTION
00	11/27/19	MAW	INITIAL RELEASE



DRAWN BY:		USE WITH PRODUCT NUMBER		 VARTECH SYSTEMS INC.
MATERIAL & FINISH		TITLE		
TOLERANCES: .XX=-.01 .XXX=-.005		SHEET 6 OF 7		OUTLINE DRAWING DIAMONDVUE 4
		SIZE D	PART NUMBER VTDV4#116bCP#	REV 00