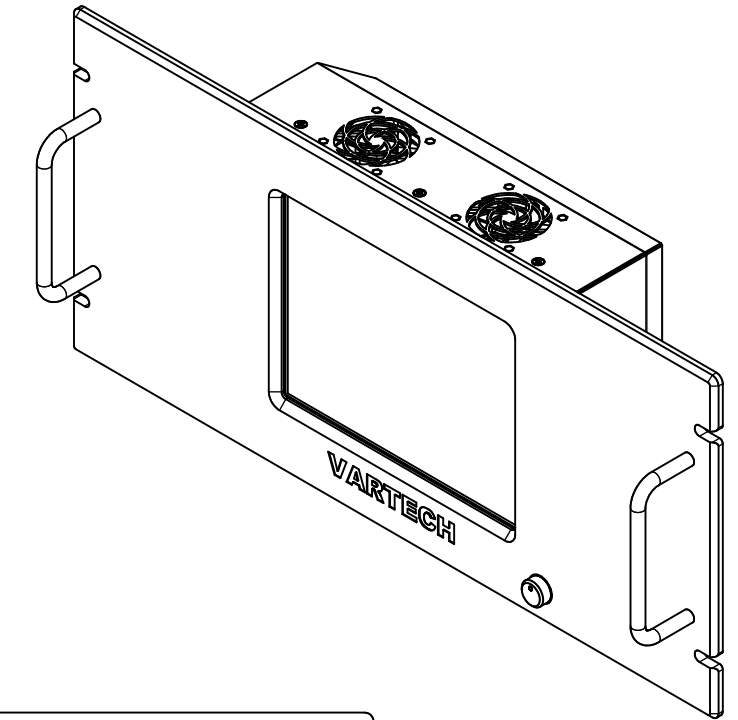
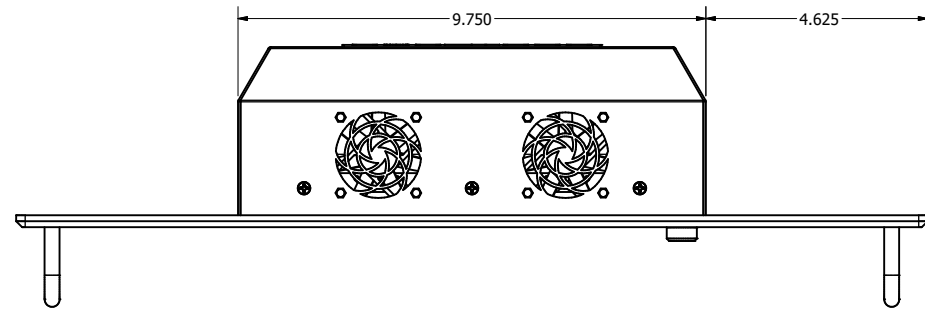


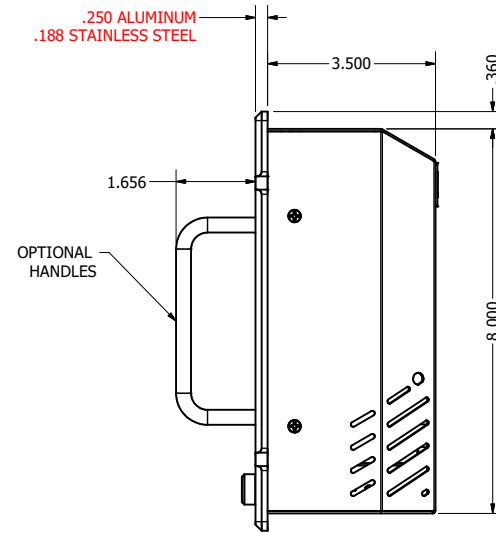
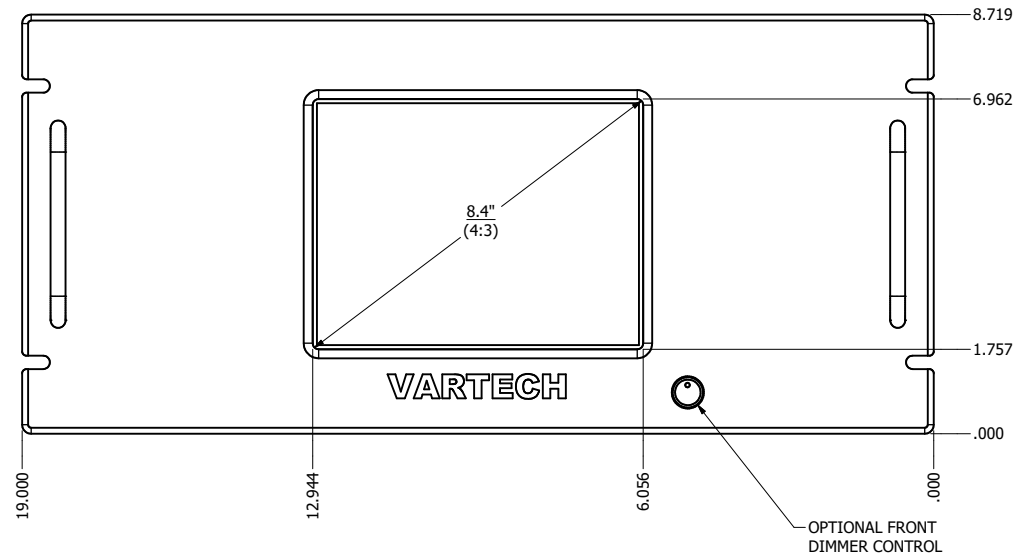
8.4" RACK MOUNT (Monitor or Panel Computer)

PRELIMINARY DRAWING
DIMENSIONS ARE SUBJECT TO CHANGE

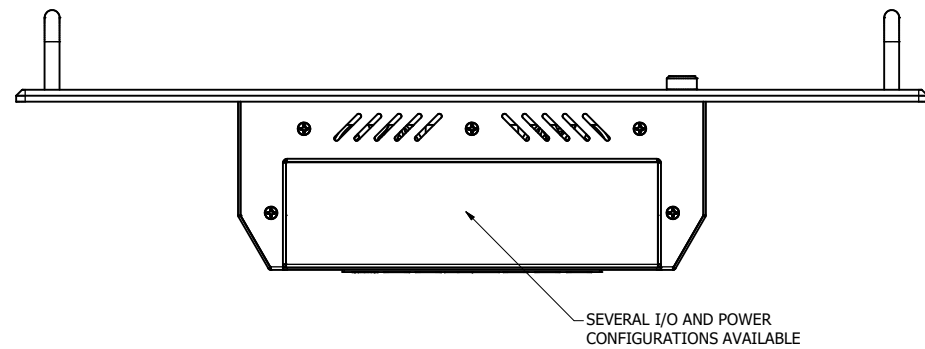
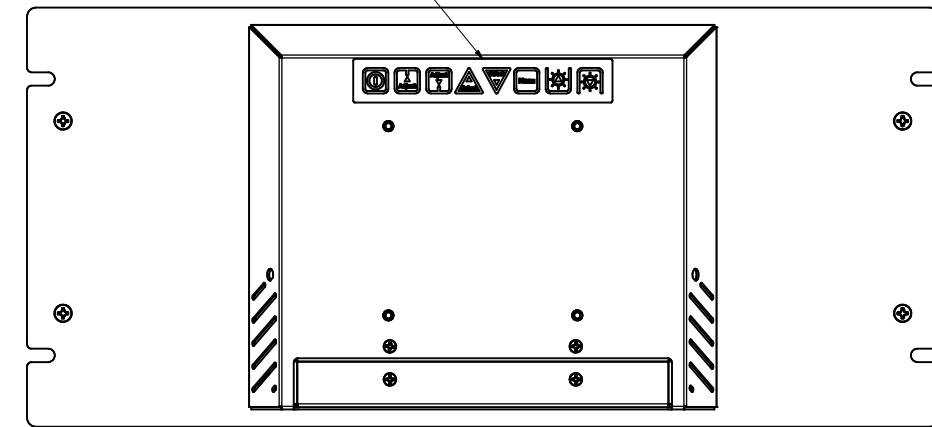
REVISION HISTORY			
REV	DATE	INITIALS	DESCRIPTION
00	11/27/19	MAW	INITIAL RELEASE



RACK HAS A 5U HEIGHT



OPTIONAL OSD CONTROLS
ON FRONT OR REAR PANEL
FOR MONITORS ONLY



DRAWN BY: mwitham		11/26/2019			
USE WITH PRODUCT NUMBER					
MATERIAL & FINISH				TITLE	
				OUTLINE DRAWING DIAMONDVUE 4	
SHEET	SIZE	PART NUMBER	REV		
3 OF 7	D	VTDV4#084aRK#	00		
TOLERANCES: .XX=-.01 .XXX=-.005					