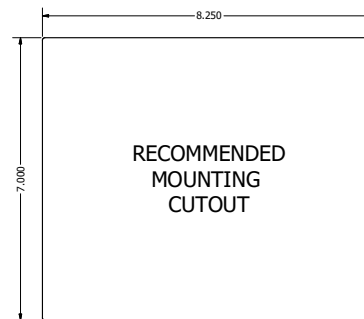
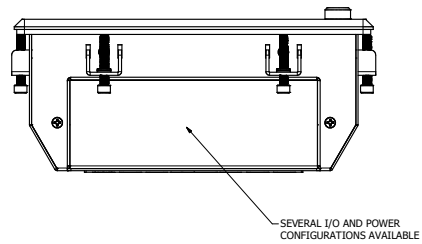
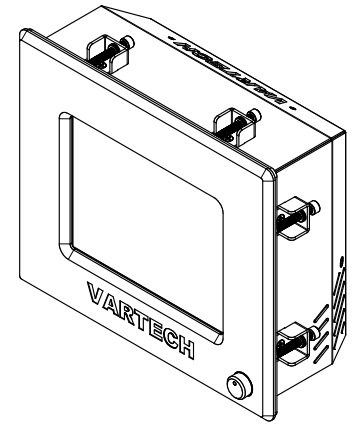
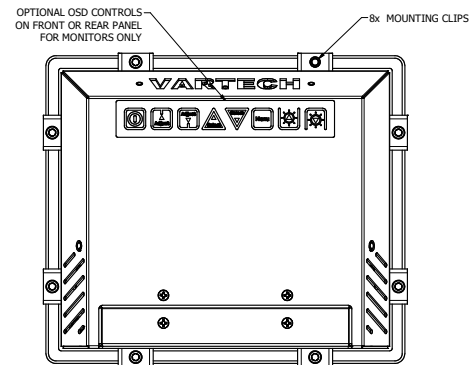
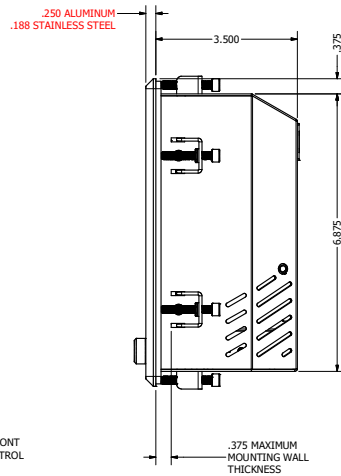
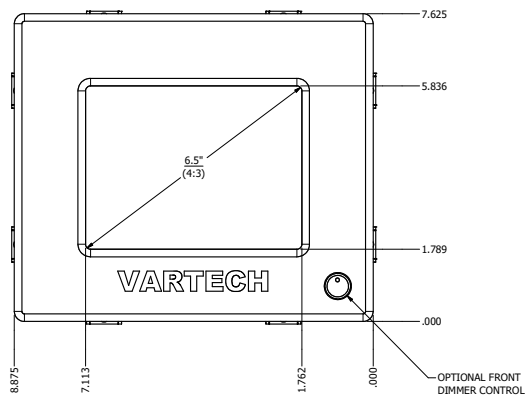
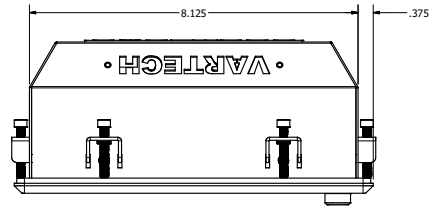


6.5" CLIP MOUNT (Monitor or Panel Computer)

PRELIMINARY DRAWING  
DIMENSIONS ARE SUBJECT TO CHANGE

REVISION HISTORY			
REV	DATE	INITIALS	DESCRIPTION
00	11/27/19	MAW	INITIAL RELEASE



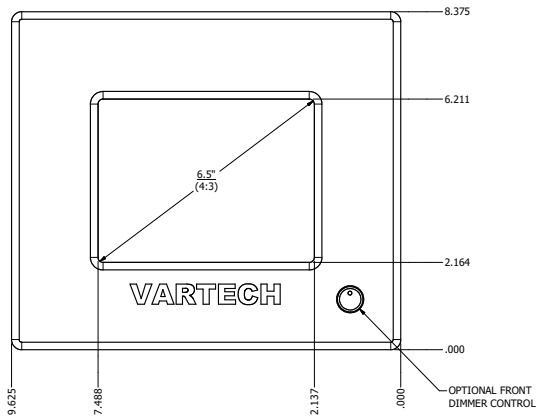
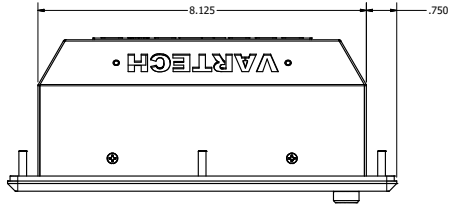
DRAWN BY: mwilliam		11/26/2019	
USE WITH PRODUCT NUMBER			
MATERIAL & FINISH		TITLE	
		OUTLINE DRAWING	
		DIAMONDVUE 4	
SHEET	SIZE	PART NUMBER	REV
5 OF 5	D	VTDV4#065aCP#	00
TOLERANCES: .XX=.01 .XXX=.005			



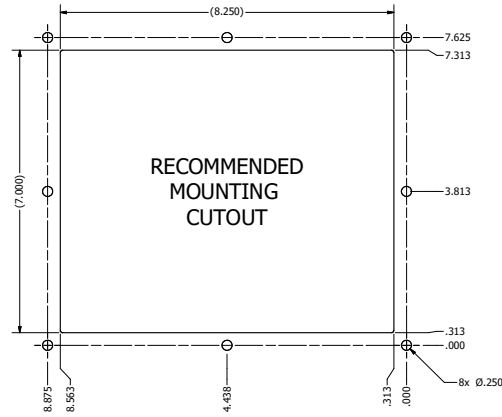
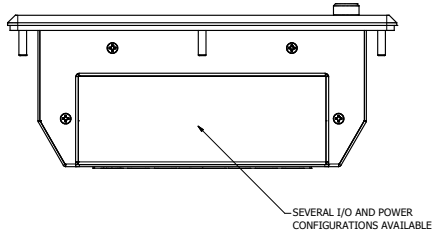
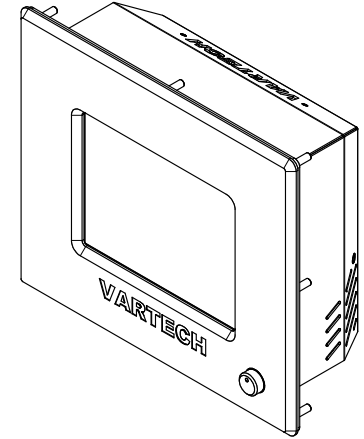
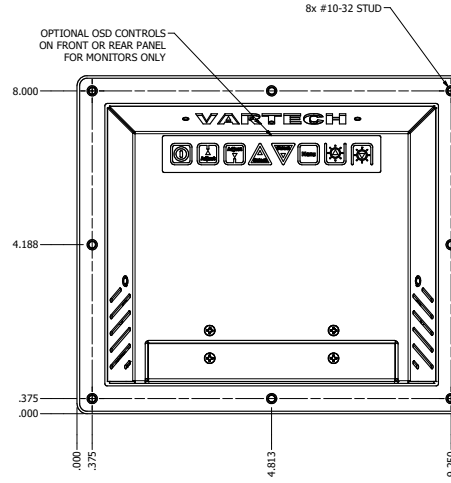
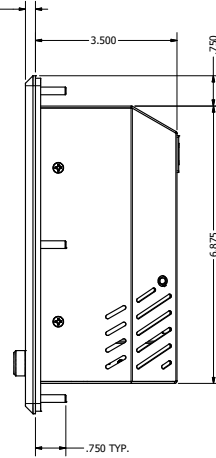
6.5" PANEL MOUNT (Monitor or Panel Computer)

PRELIMINARY DRAWING  
DIMENSIONS ARE SUBJECT TO CHANGE

REVISION HISTORY			
REV	DATE	INITIALS	DESCRIPTION
00	11/27/19	MAV	INITIAL RELEASE



.250 ALUMINUM  
.188 STAINLESS STEEL

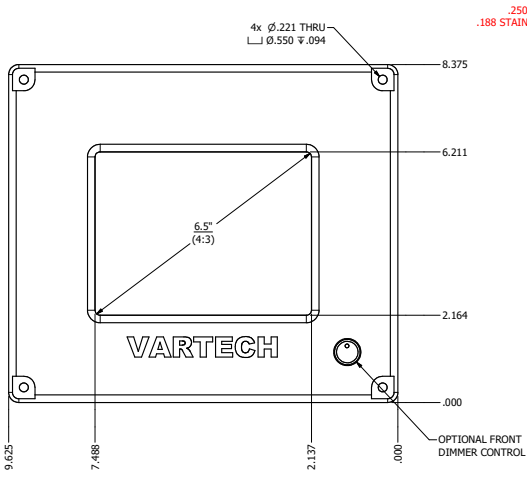
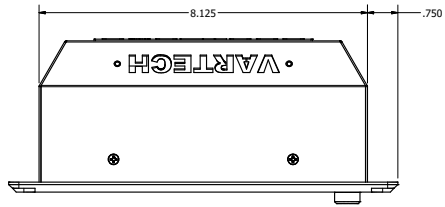


DRAWN BY: mwilliam	11/26/2019		TITLE <b>OUTLINE DRAWING</b> DIAMONDVUE 4	SHEET 1 OF 5	SIZE D	PART NUMBER VTDV4#065aPN#	REV 00
USE WITH PRODUCT NUMBER							
MATERIAL & FINISH		TOLERANCES: .XX=.01 .XXX=.005					

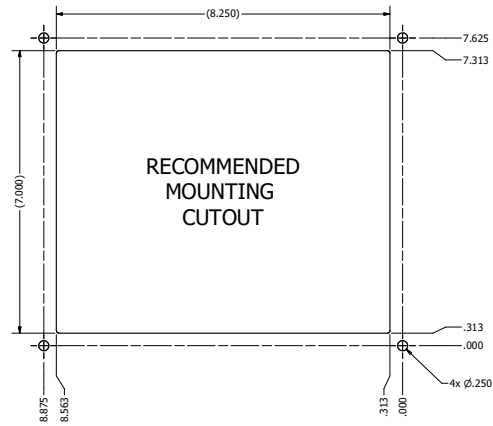
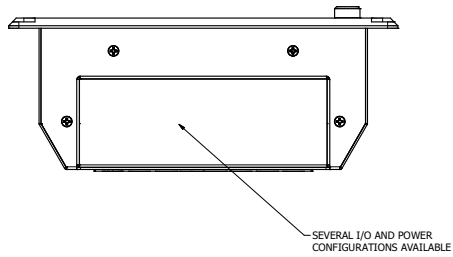
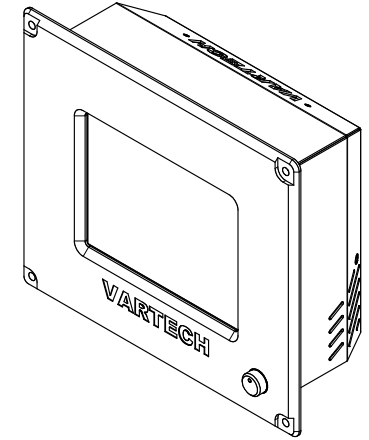
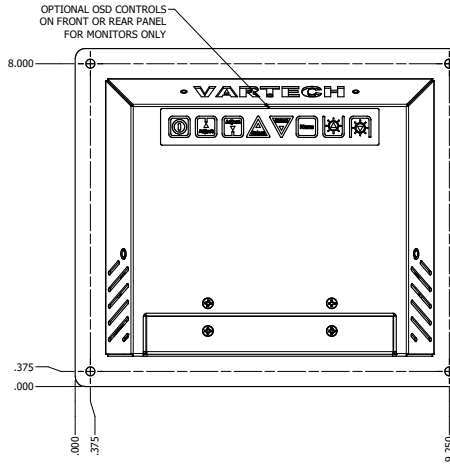
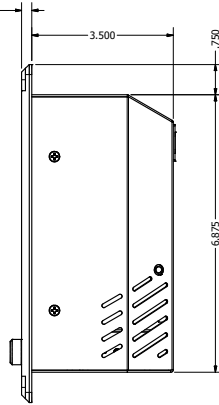
6.5" CONSOLE MOUNT (Monitor or Panel Computer)

PRELIMINARY DRAWING  
DIMENSIONS ARE SUBJECT TO CHANGE

REVISION HISTORY			
REV	DATE	INITIALS	DESCRIPTION
00	11/27/19	MAV	INITIAL RELEASE



.250 ALUMINUM  
.188 STAINLESS STEEL

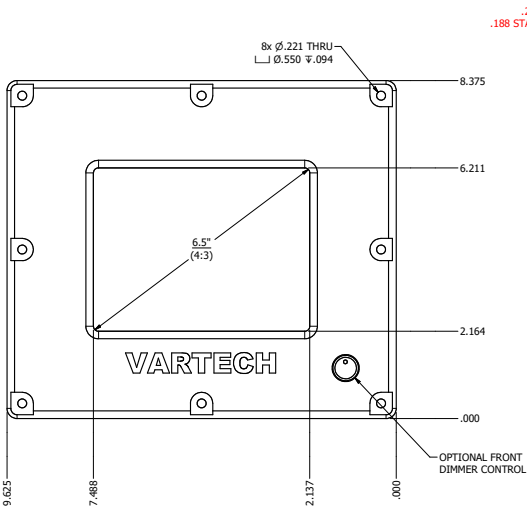
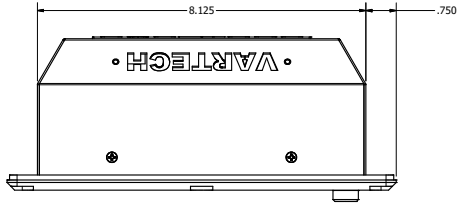


DRAWN BY: mwilliam	11/26/2019		TITLE	OUTLINE DRAWING DIAMONDVUE 4	SHEET	SIZE	PART NUMBER	REV
USE WITH PRODUCT NUMBER			4 OF 5					
MATERIAL & FINISH		TOLERANCES: .XX=.01 .XXX=.005						

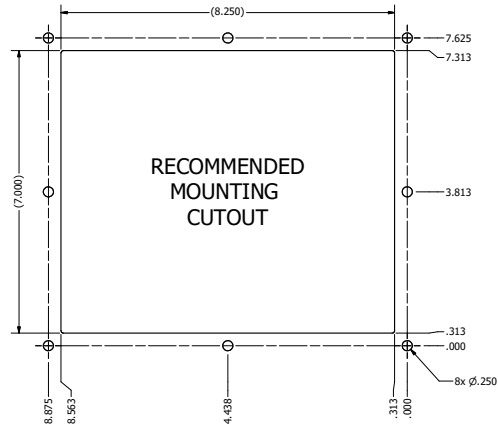
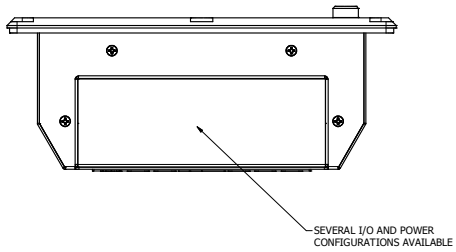
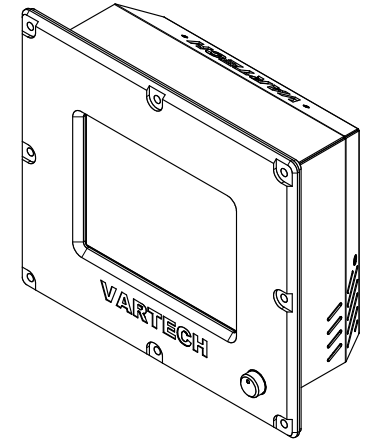
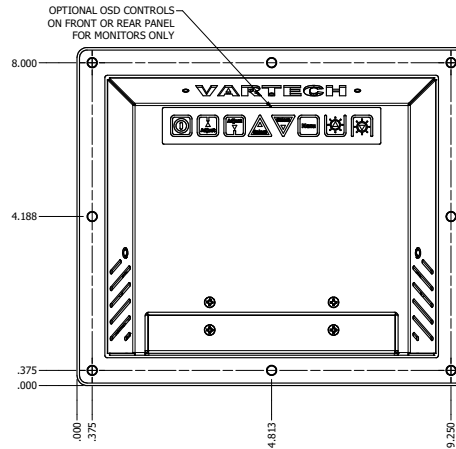
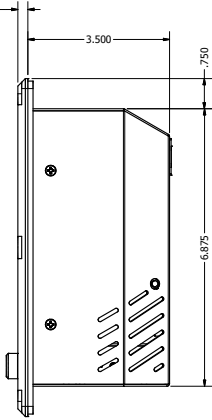
6.5" CONSOLE MOUNT EXTREME (Monitor or Panel Computer)

PRELIMINARY DRAWING  
DIMENSIONS ARE SUBJECT TO CHANGE

REVISION HISTORY			
REV	DATE	INITIALS	DESCRIPTION
00	11/27/19	MAV	INITIAL RELEASE



.250 ALUMINUM  
.188 STAINLESS STEEL



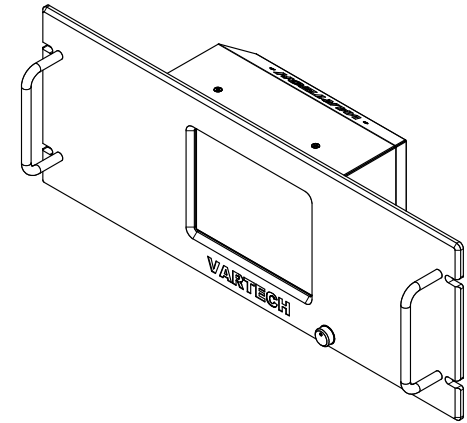
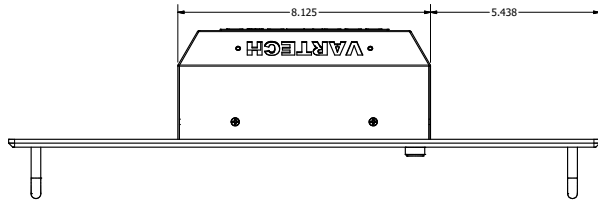
DRAWN BY: mwilliam		11/26/2019	
USE WITH PRODUCT NUMBER			
MATERIAL & FINISH		TITLE	
		OUTLINE DRAWING	
		DIAMONDVUE 4	
SHEET	SIZE	PART NUMBER	REV
3 OF 5	D	VTDV4#065aCX#	00
TOLERANCES: .XX=.01 .XXX=.005			



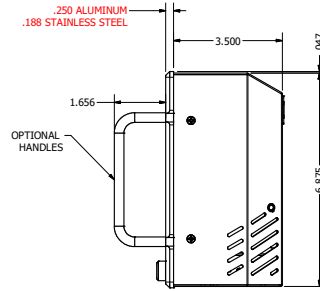
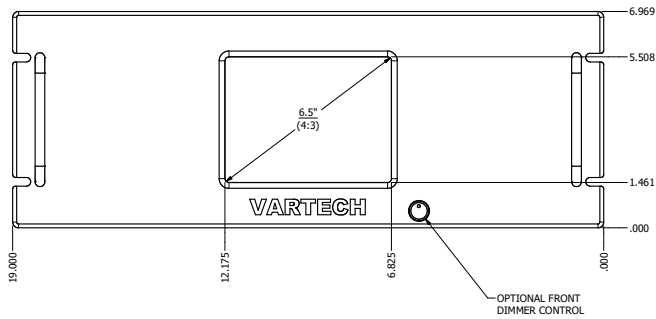
6.5" RACK MOUNT (Monitor or Panel Computer)

PRELIMINARY DRAWING  
DIMENSIONS ARE SUBJECT TO CHANGE

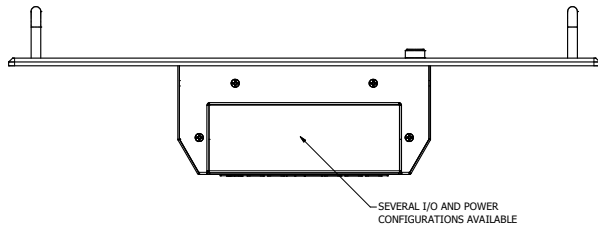
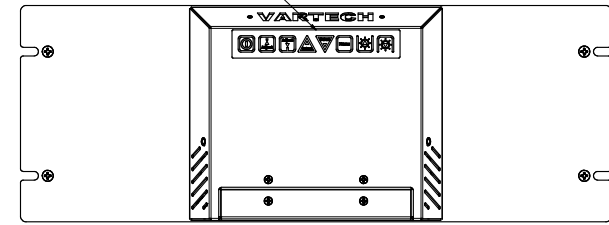
REVISION HISTORY			
REV	DATE	INITIALS	DESCRIPTION
00	11/27/19	MAV	INITIAL RELEASE



**RACK HAS A 4U HEIGHT**



OPTIONAL OSD CONTROLS  
ON FRONT OR REAR PANEL  
FOR MONITORS ONLY



DRAWN BY: mwilliam		11/26/2019	
USE WITH PRODUCT NUMBER			
MATERIAL & FINISH		TITLE	
		OUTLINE DRAWING	
		DIAMONDVIEW 4	
SHEET	SIZE	PART NUMBER	REV
2 OF 5	D	VTDV4#065aRK#	00
TOLERANCES: .XX=.01 .XXX=.005			

