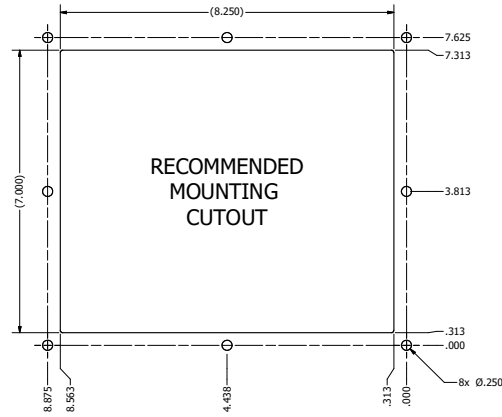
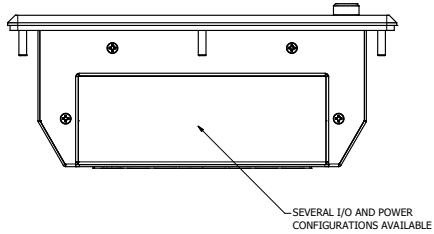
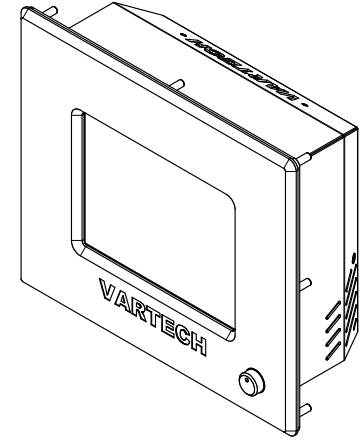
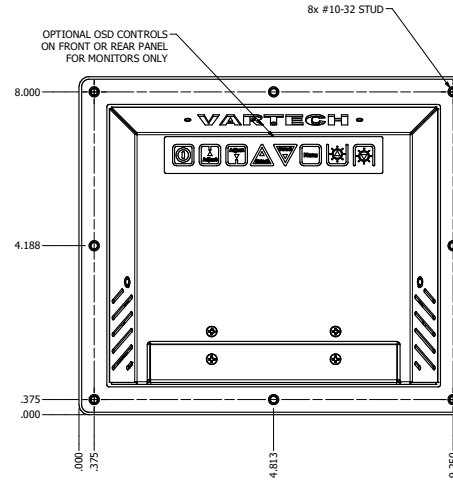
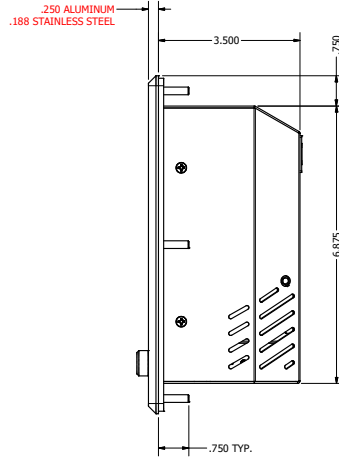
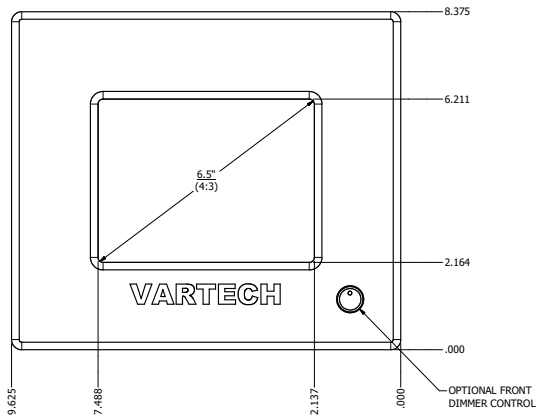
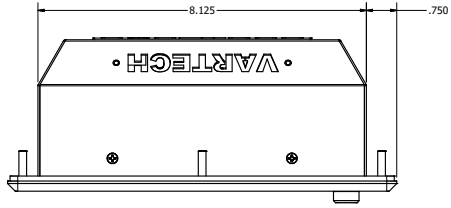


6.5" PANEL MOUNT (Monitor or Panel Computer)

PRELIMINARY DRAWING
DIMENSIONS ARE SUBJECT TO CHANGE

REVISION HISTORY			
REV	DATE	INITIALS	DESCRIPTION
00	11/27/19	MAV	INITIAL RELEASE



DRAWN BY: mwilliam	11/26/2019	 VARTECH SYSTEMS INC.	TITLE	REV
USE WITH PRODUCT NUMBER			OUTLINE DRAWING	00
MATERIAL & FINISH		DIAMONDVUE 4		
TOLERANCES: .XX=.01 .XXX=.005		SHEET	SIZE	PART NUMBER
		1 OF 5	D	VTDV4#065aPN#