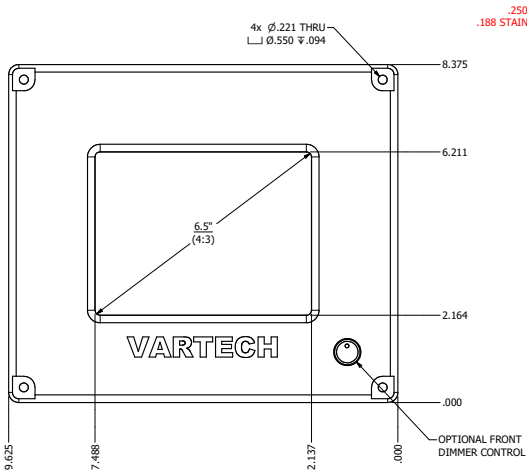
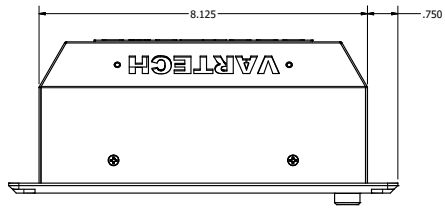


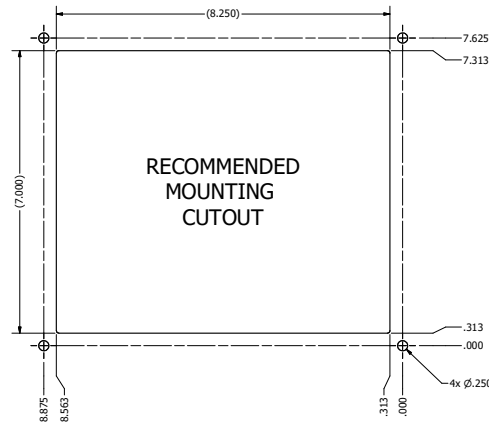
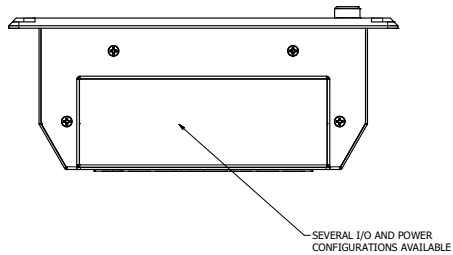
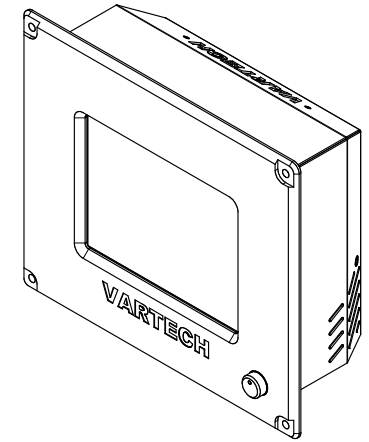
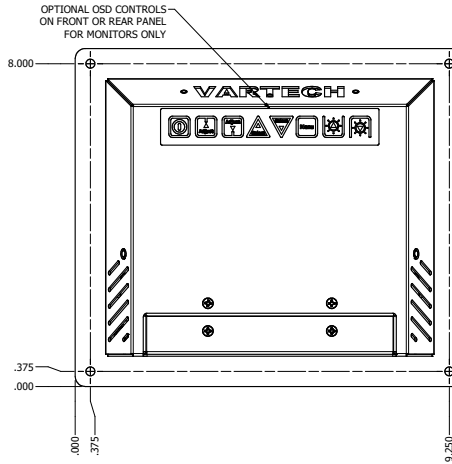
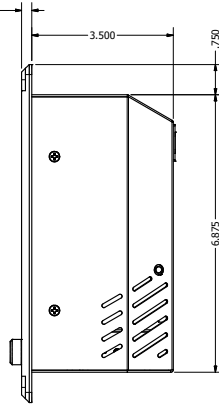
6.5" CONSOLE MOUNT (Monitor or Panel Computer)

PRELIMINARY DRAWING
DIMENSIONS ARE SUBJECT TO CHANGE

| REVISION HISTORY | | | |
|------------------|----------|----------|-----------------|
| REV | DATE | INITIALS | DESCRIPTION |
| 00 | 11/27/19 | MAV | INITIAL RELEASE |



.250 ALUMINUM
.188 STAINLESS STEEL



| | | | | | | | | |
|-------------------------|------------|-------------------------------|--------|---------------------------------|-------|------|-------------|-----|
| DRAWN BY: mwilliam | 11/26/2019 | | TITLE | OUTLINE DRAWING DIAMONDVUE 4 | SHEET | SIZE | PART NUMBER | REV |
| USE WITH PRODUCT NUMBER | | | 4 OF 5 | | | | | |
| MATERIAL & FINISH | | TOLERANCES: .XX=.01 .XXX=.005 | | | | | | |