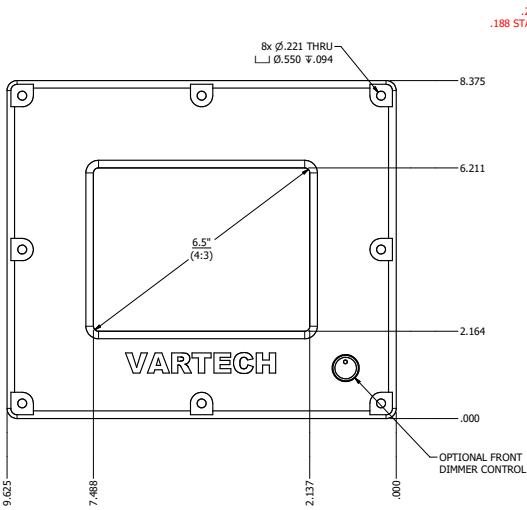
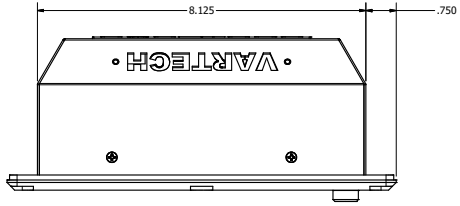


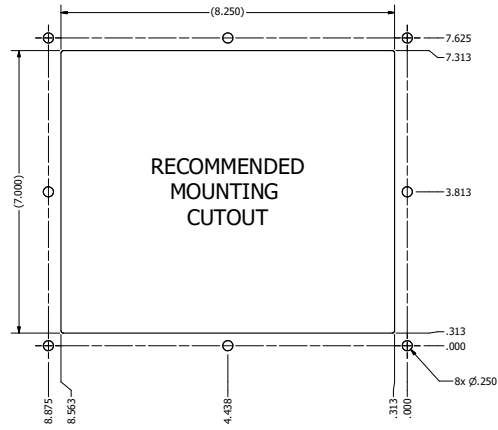
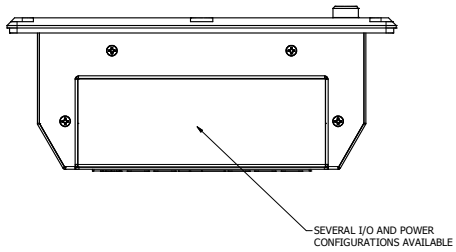
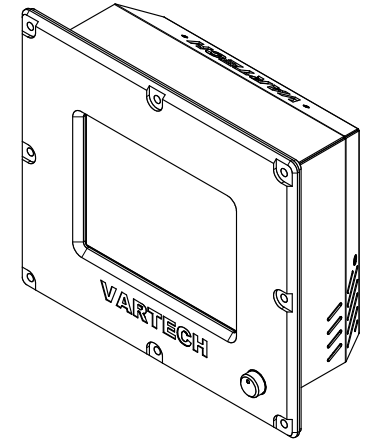
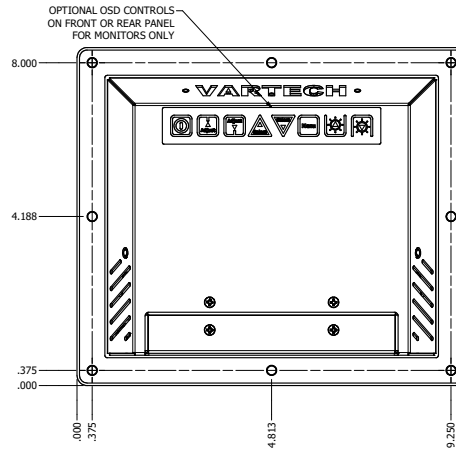
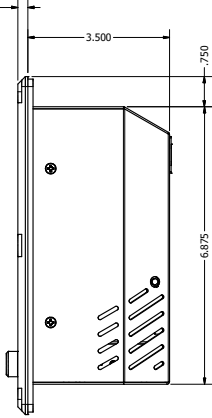
6.5" CONSOLE MOUNT EXTREME (Monitor or Panel Computer)

PRELIMINARY DRAWING
DIMENSIONS ARE SUBJECT TO CHANGE

| REVISION HISTORY | | | |
|------------------|----------|----------|-----------------|
| REV | DATE | INITIALS | DESCRIPTION |
| 00 | 11/27/19 | MAV | INITIAL RELEASE |



.250 ALUMINUM
.188 STAINLESS STEEL



| | | | |
|---------------------------------|--|-----------------|---------------|
| DRAWN BY: mwilliam | | 11/26/2019 | |
| USE WITH PRODUCT NUMBER | | | |
| MATERIAL & FINISH | | TITLE | |
| | | OUTLINE DRAWING | |
| | | DIAMONDVUE 4 | |
| TOLERANCES: .XX=-.01 .XXX=-.005 | | SHEET | REV |
| | | 3 OF 5 | 00 |
| | | SIZE | PART NUMBER |
| | | D | VTDV4#065aCX# |

