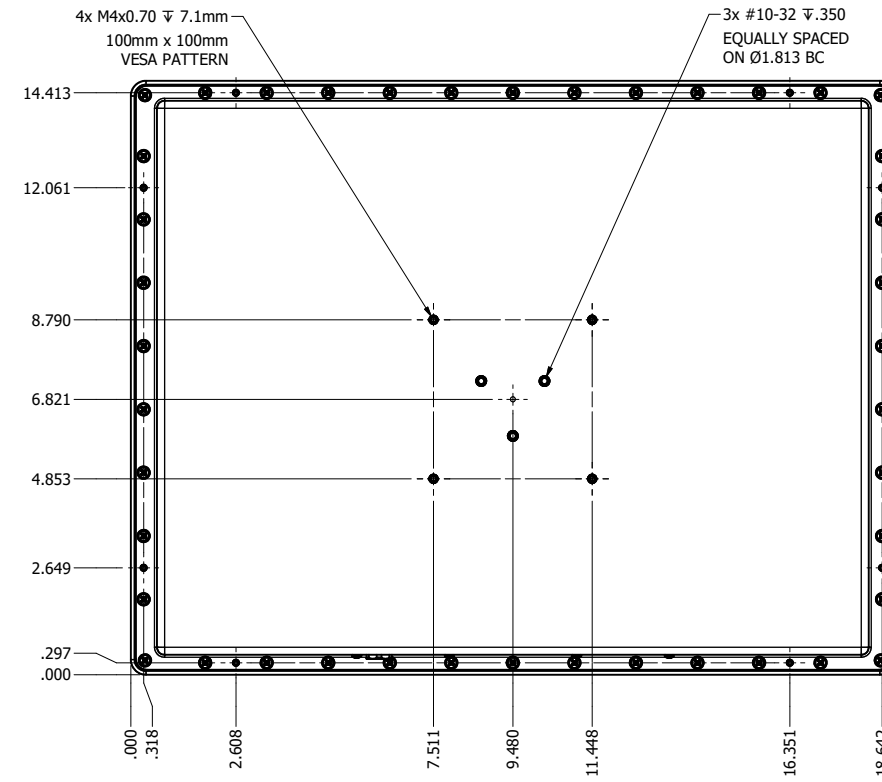
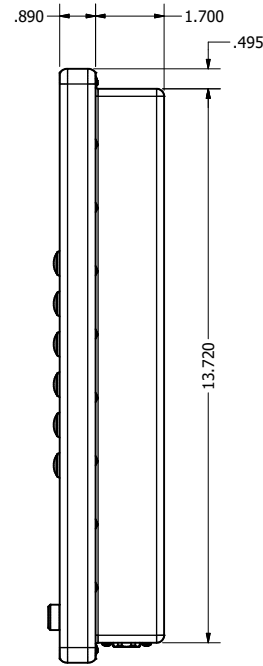
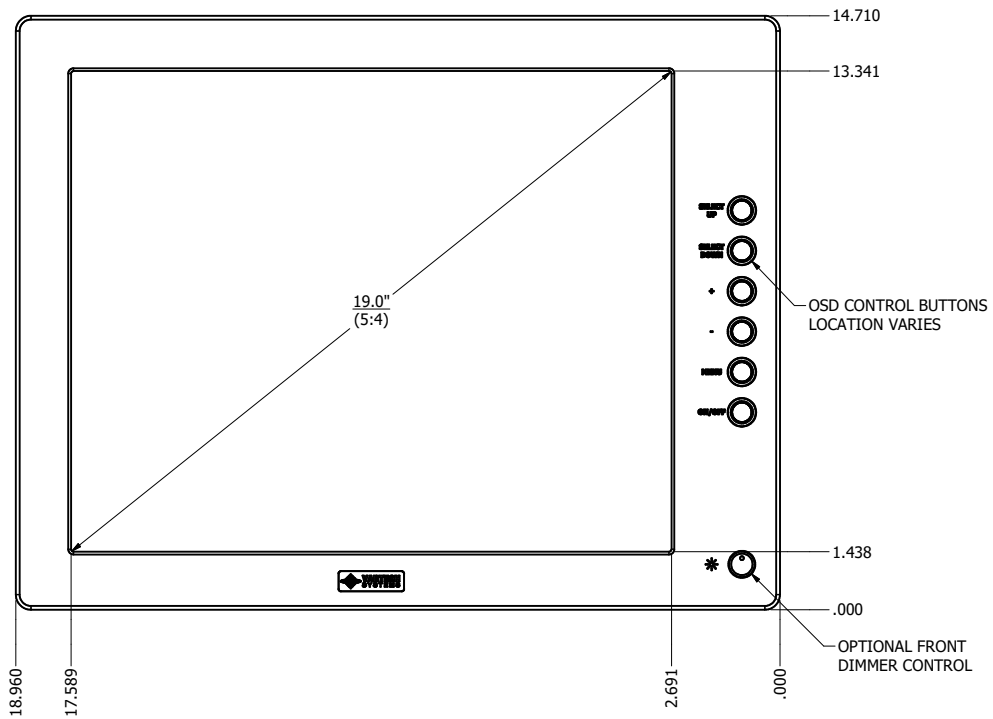
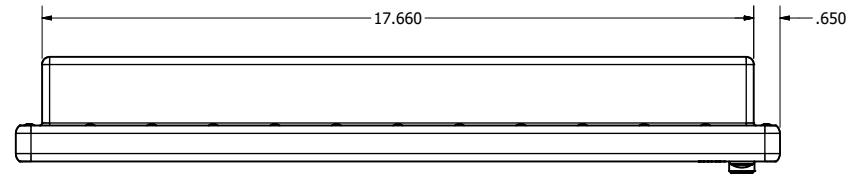


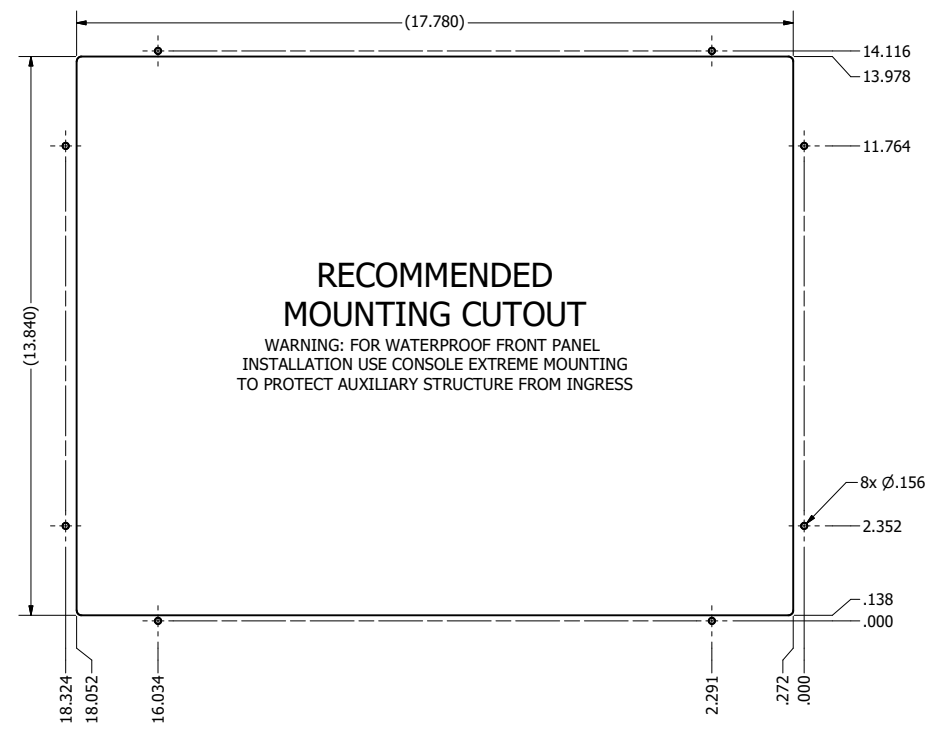
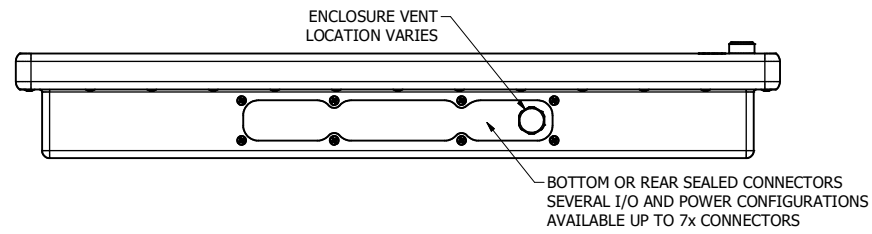
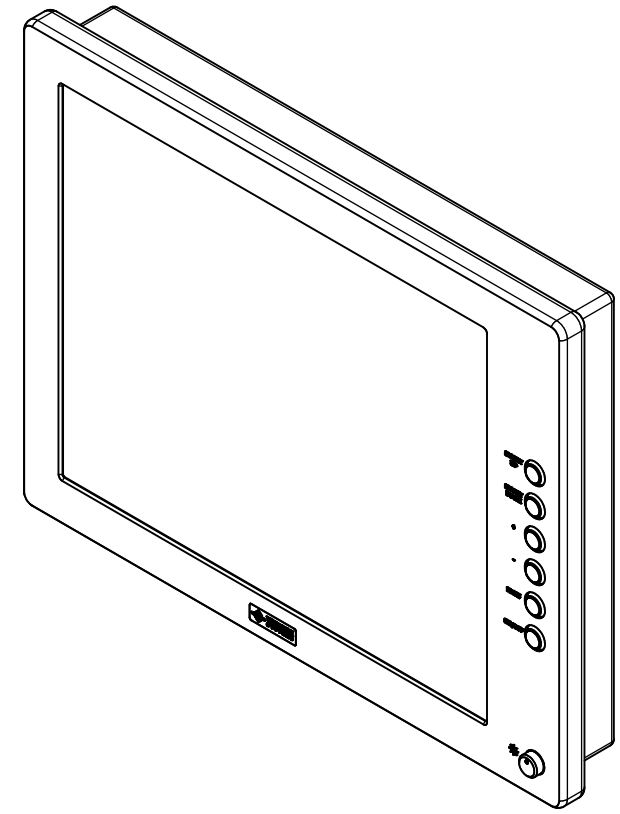
19.0" AW4 DIVERSE MOUNTING (Monitor)

PRELIMINARY DRAWING
DIMENSIONS ARE SUBJECT TO CHANGE

| REVISION HISTORY | | | |
|------------------|-----------|----------|-----------------|
| REV | DATE | INITIALS | DESCRIPTION |
| 0 | 4/12/2021 | maw | INITIAL RELEASE |



8x #6-32 ∇ .44
FOR ALL-WEATHER STYLE PANEL MOUNT



| | | | | |
|-------------------------|------|---------------|-----|--|
| DRAWN BY: mwitham | | 4/12/2021 | | |
| USE WITH PRODUCT NUMBER | | | | |
| MATERIAL & FINISH | | | | TITLE OUTLINE DRAWING ALL-WEATHER - GEN 4 |
| SHEET | SIZE | PART NUMBER | REV | |
| 2 of 4 | D | VTAW4M190dADA | 0 | |

TOLERANCES: .XX=.01 .XXX=.005