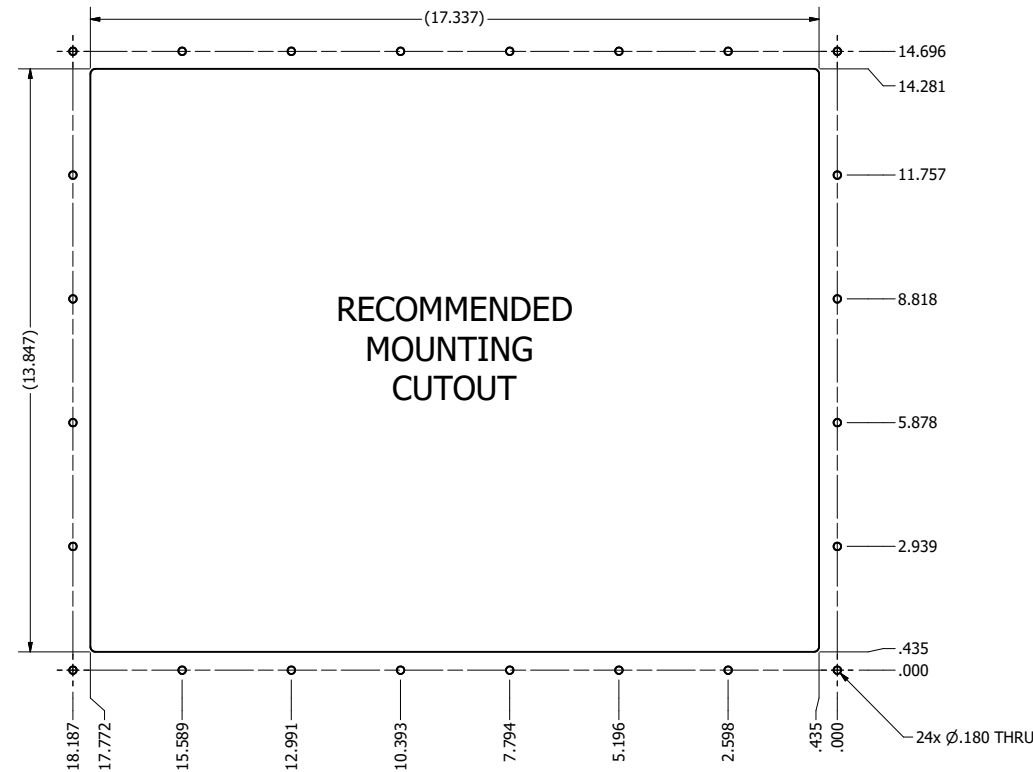
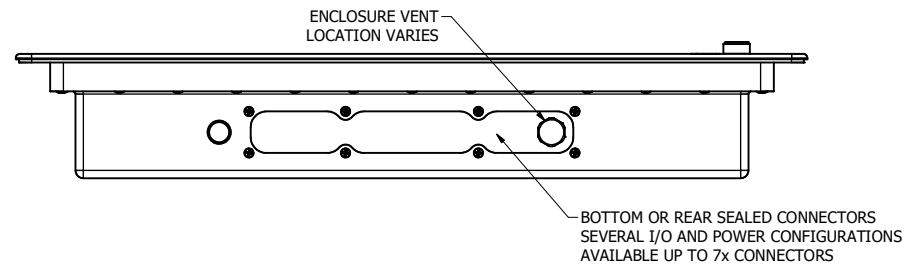
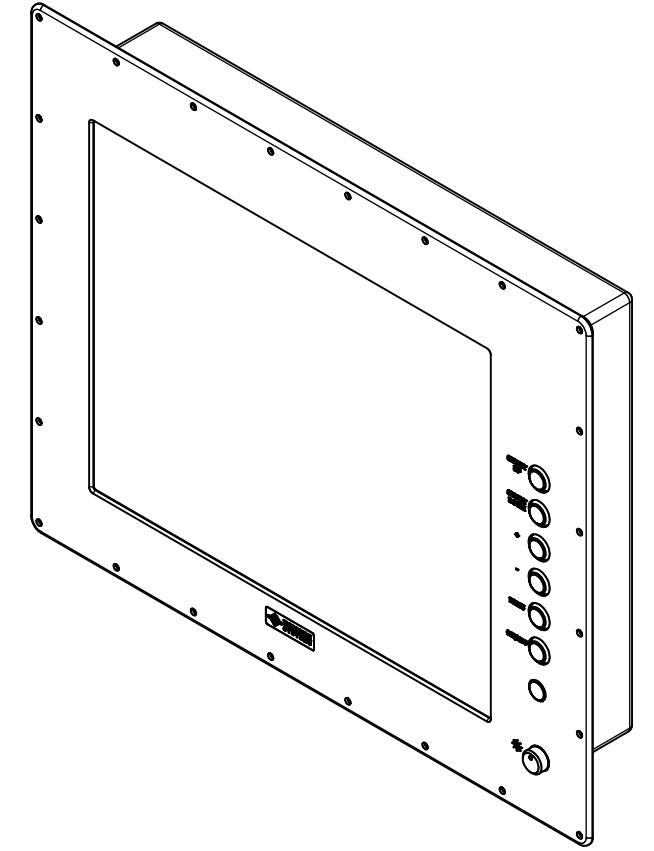
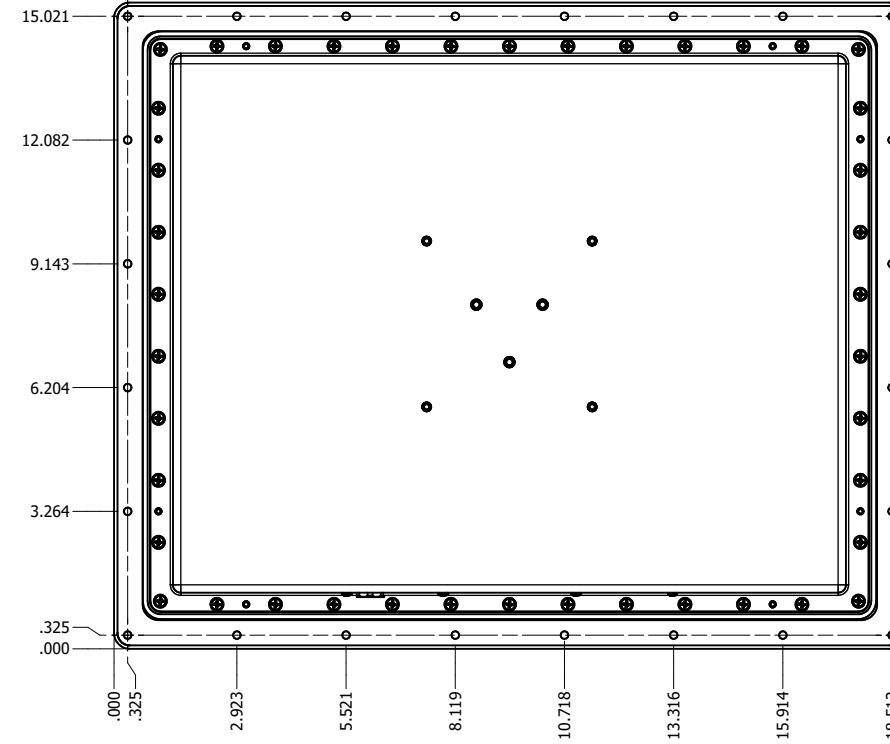
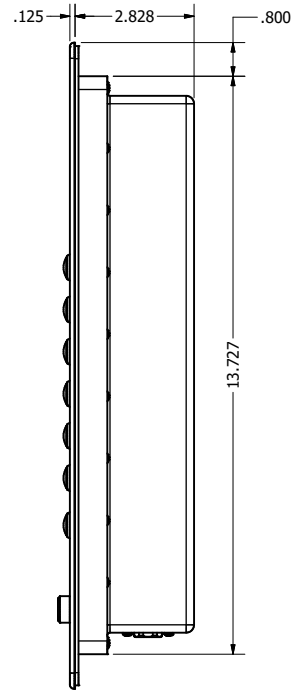
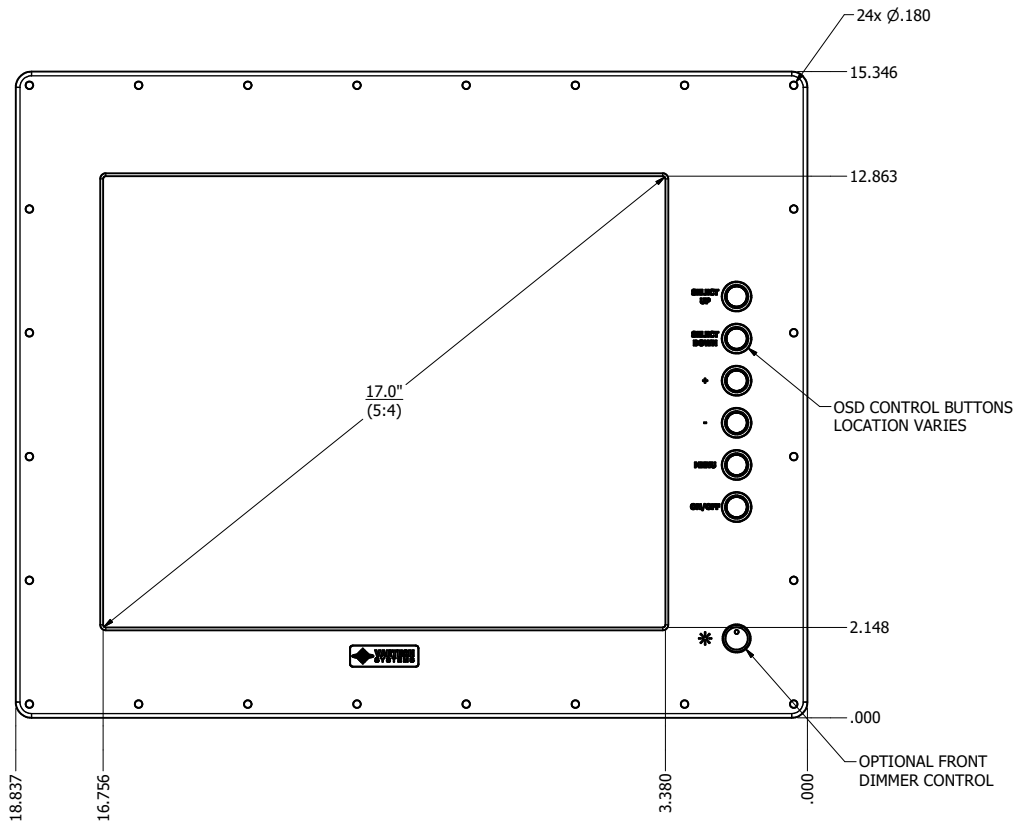
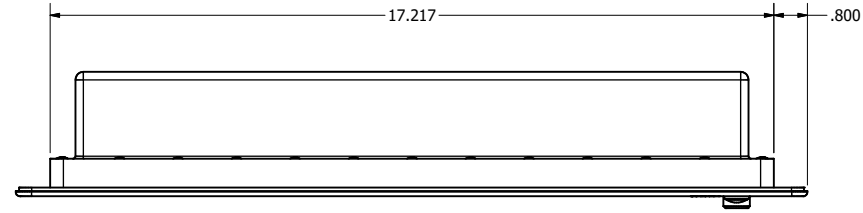


17.0" AW4 CONSOLE MOUNT EXTREME (Monitor)

PRELIMINARY DRAWING  
DIMENSIONS ARE SUBJECT TO CHANGE

| REVISION HISTORY |           |          |                 |
|------------------|-----------|----------|-----------------|
| REV              | DATE      | INITIALS | DESCRIPTION     |
| 0                | 4/12/2021 | maw      | INITIAL RELEASE |



|                                 |      |               |     |  |
|---------------------------------|------|---------------|-----|--|
| DRAWN BY: mwitham               |      | 4/20/2021     |     | <br><b>VARTECH</b><br>SYSTEMS INC.                     |
| USE WITH PRODUCT NUMBER         |      |               |     |  |
| MATERIAL & FINISH               |      |               |     | TITLE<br><b>OUTLINE DRAWING</b><br>ALL-WEATHER - GEN 4 |
| SHEET                           | SIZE | PART NUMBER   | REV |  |
| 4 of 4                          | D    | VTAW4M170dCXA | 0   |  |
| TOLERANCES: .XX=-.01 .XXX=-.005 |      |               |     |  |