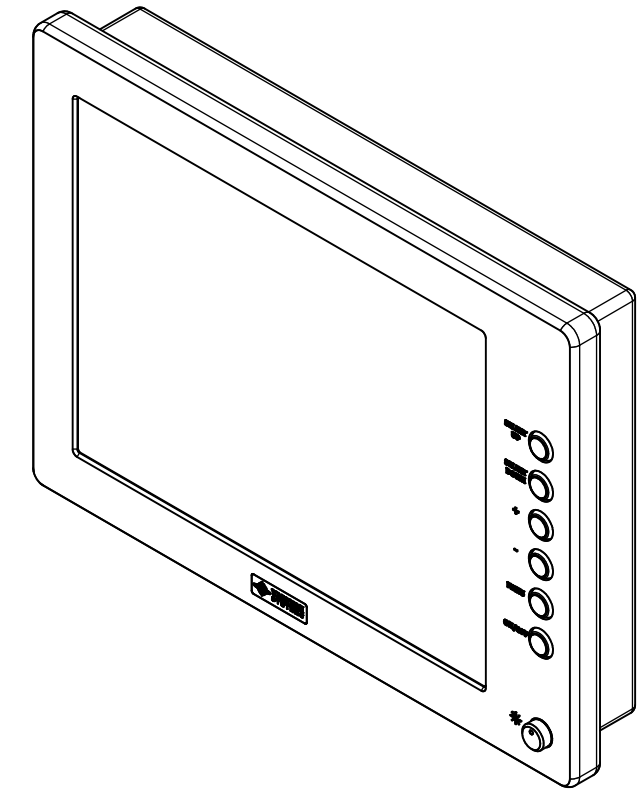
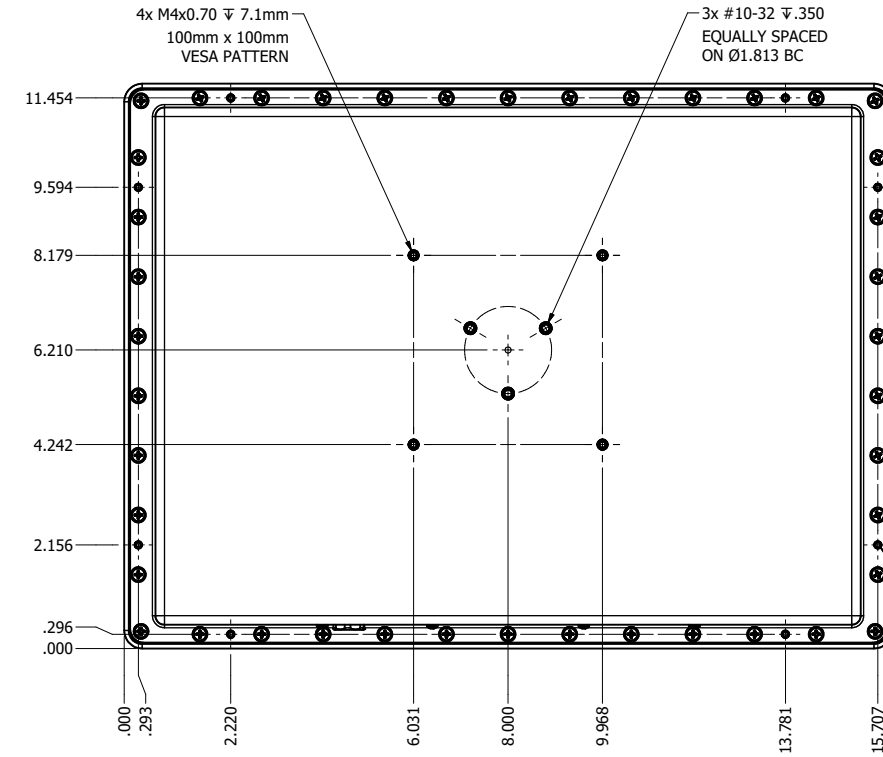
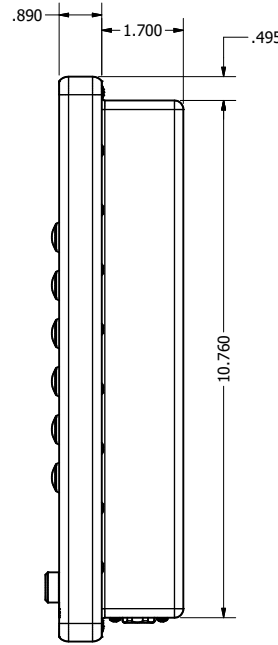
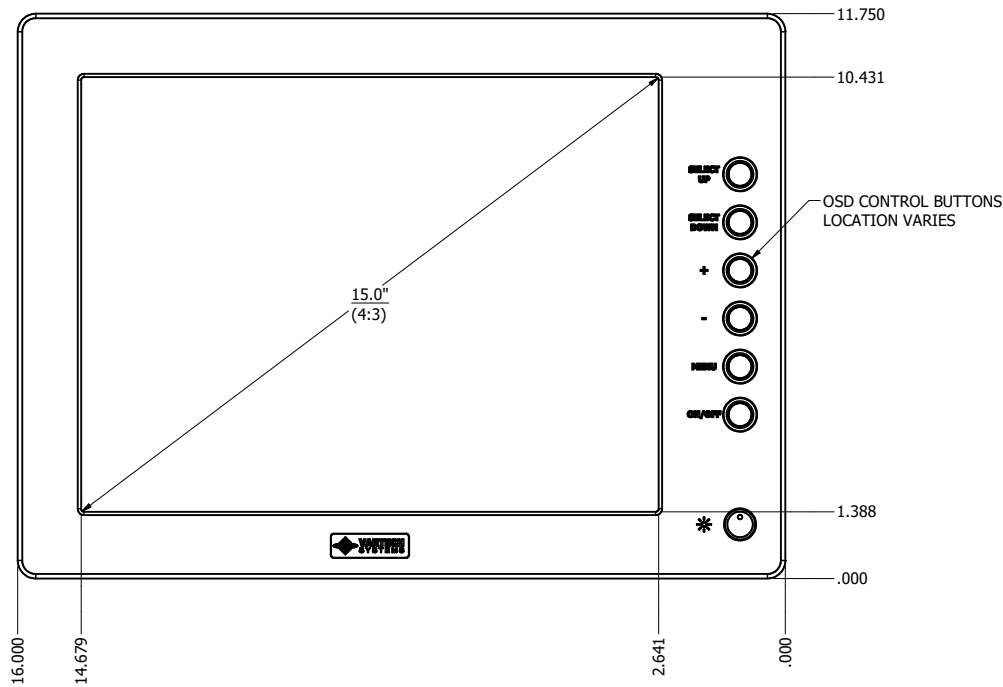
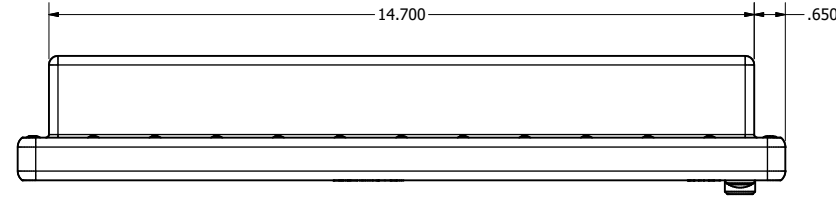


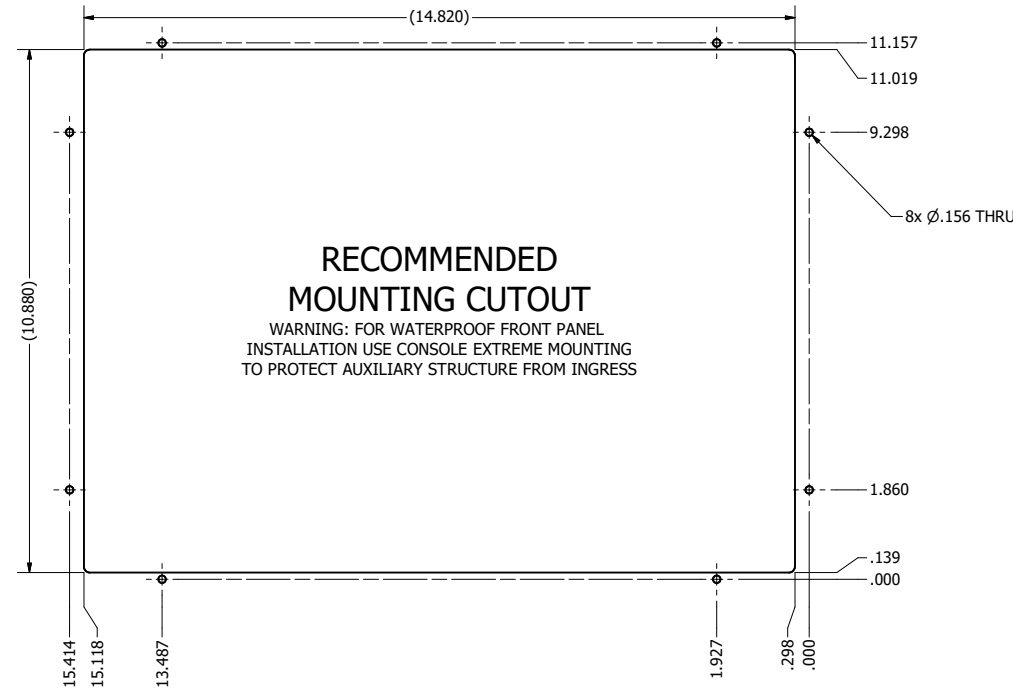
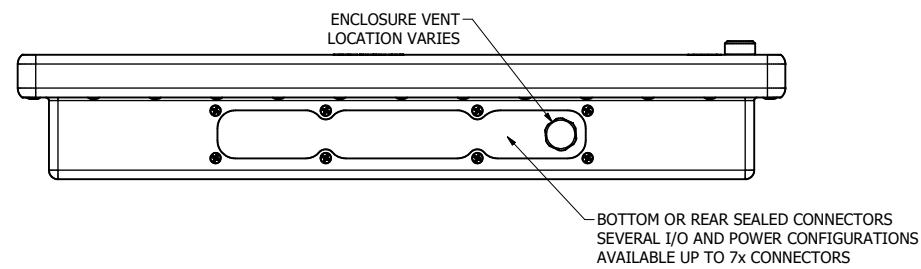
15.0" AW4 DIVERSE MOUNTING (Monitor)

PRELIMINARY DRAWING
DIMENSIONS ARE SUBJECT TO CHANGE

REVISION HISTORY			
REV	DATE	INITIALS	DESCRIPTION
0	4/12/2021	maw	INITIAL RELEASE



8x #6-32 x .44
FOR ALL-WEATHER STYLE PANEL MOUNT

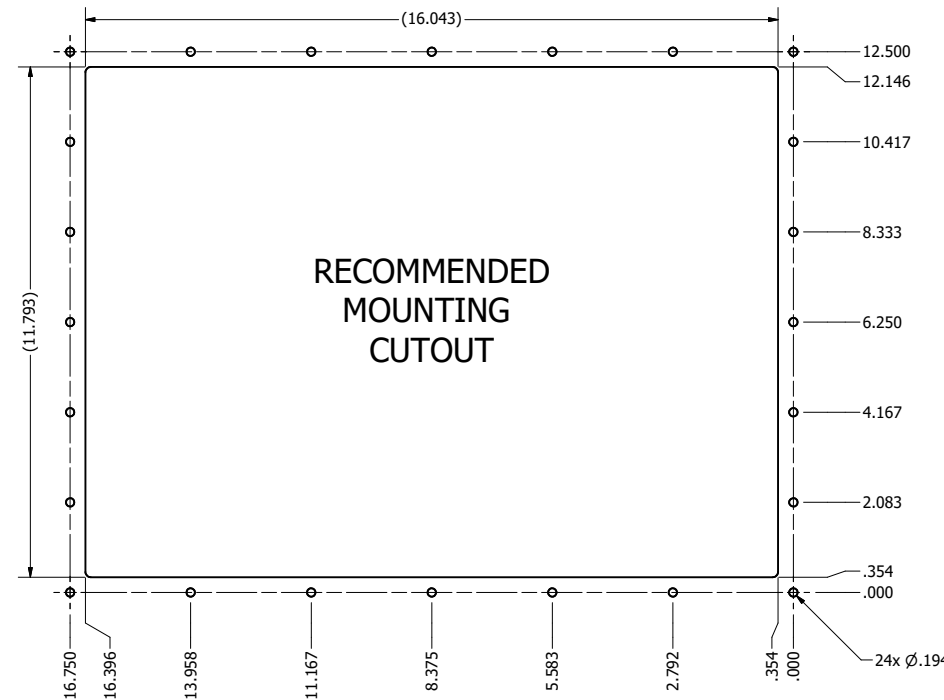
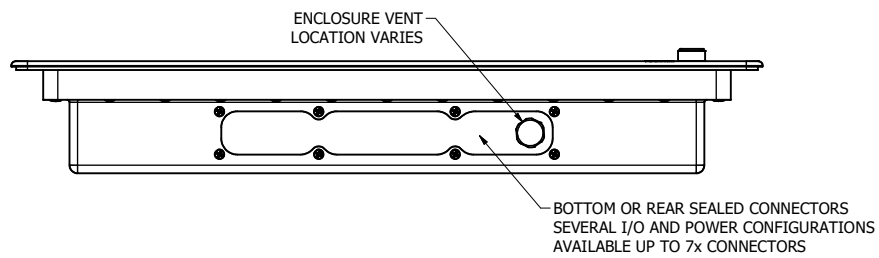
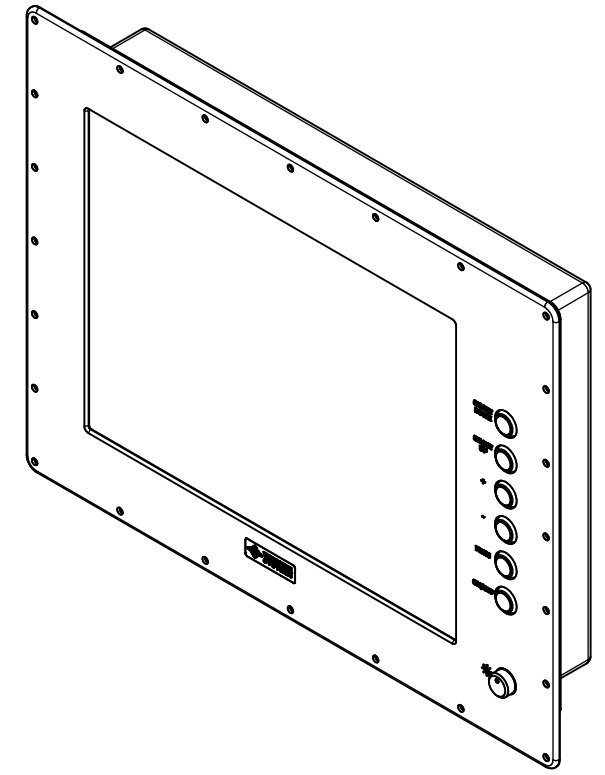
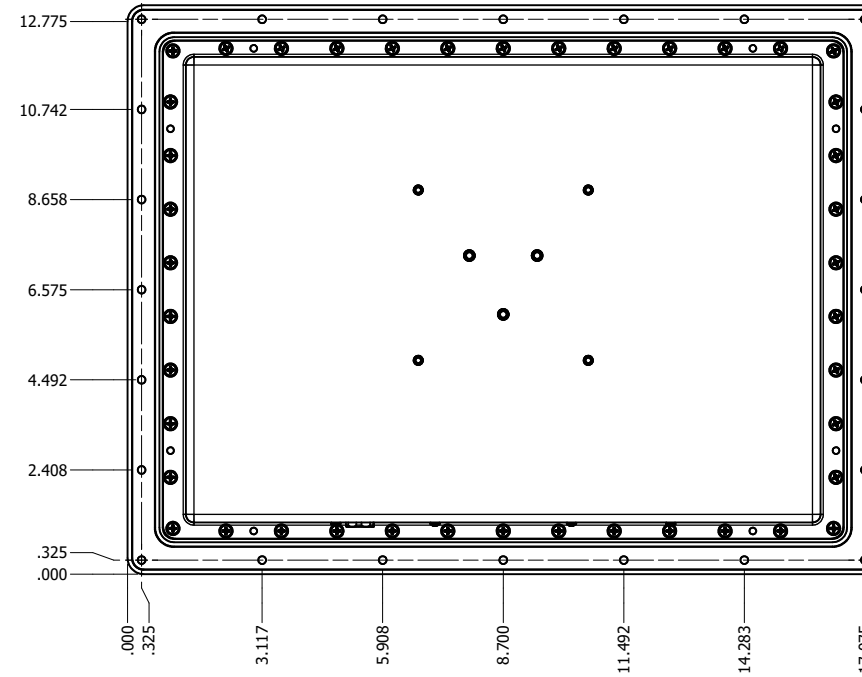
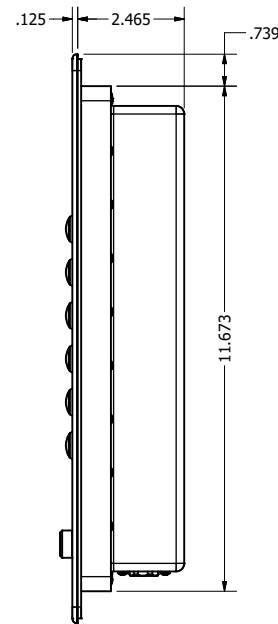
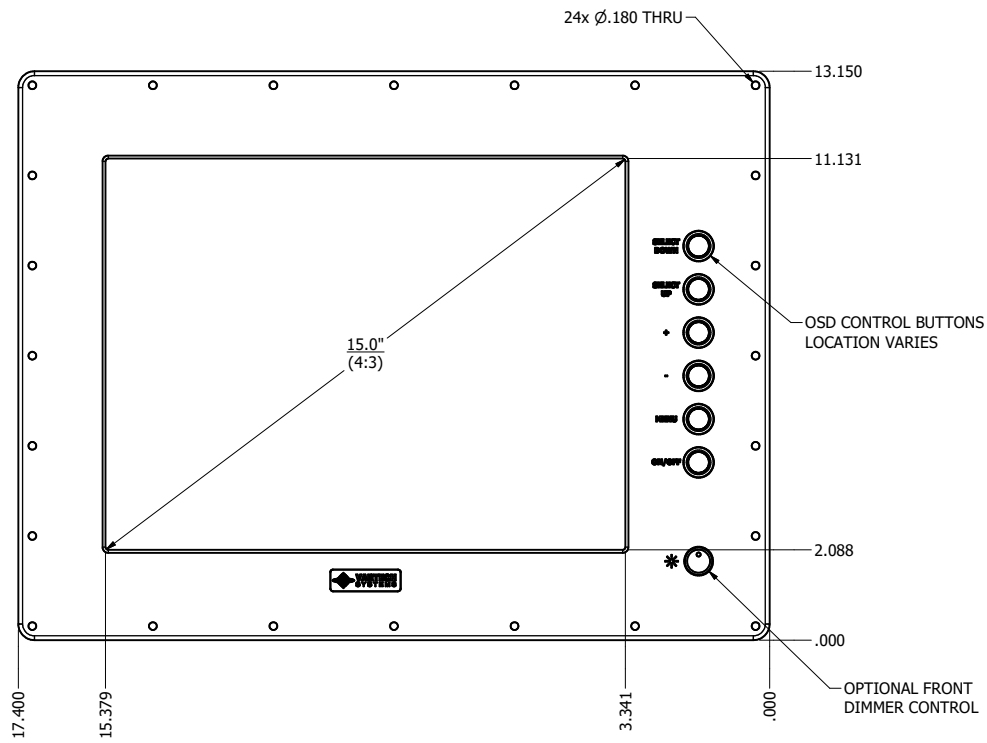
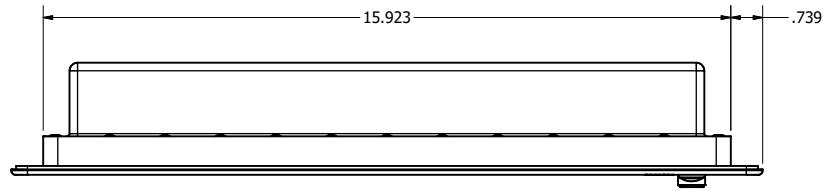


DRAWN BY: mwitham		4/14/2021		
USE WITH PRODUCT NUMBER				
MATERIAL & FINISH				TITLE
				OUTLINE DRAWING ALL-WEATHER - GEN 4
SHEET	SIZE	PART NUMBER	REV	
2 of 4	D	VTAW4M150aADA	0	
TOLERANCES: .XX=.01 .XXX=.005				

15.0" AW4 CONSOLE MOUNT EXTREME (Monitor)

PRELIMINARY DRAWING
DIMENSIONS ARE SUBJECT TO CHANGE

REVISION HISTORY			
REV	DATE	INITIALS	DESCRIPTION
0	4/12/2021	maw	INITIAL RELEASE



DRAWN BY:		USE WITH PRODUCT NUMBER		
MATERIAL & FINISH		TITLE		OUTLINE DRAWING ALL-WEATHER - GEN 4
SHEET	SIZE	PART NUMBER	REV	
4 of 4	D	VTAW4M150aCXA	0	
TOLERANCES: .XX=.01 .XXX=.005				