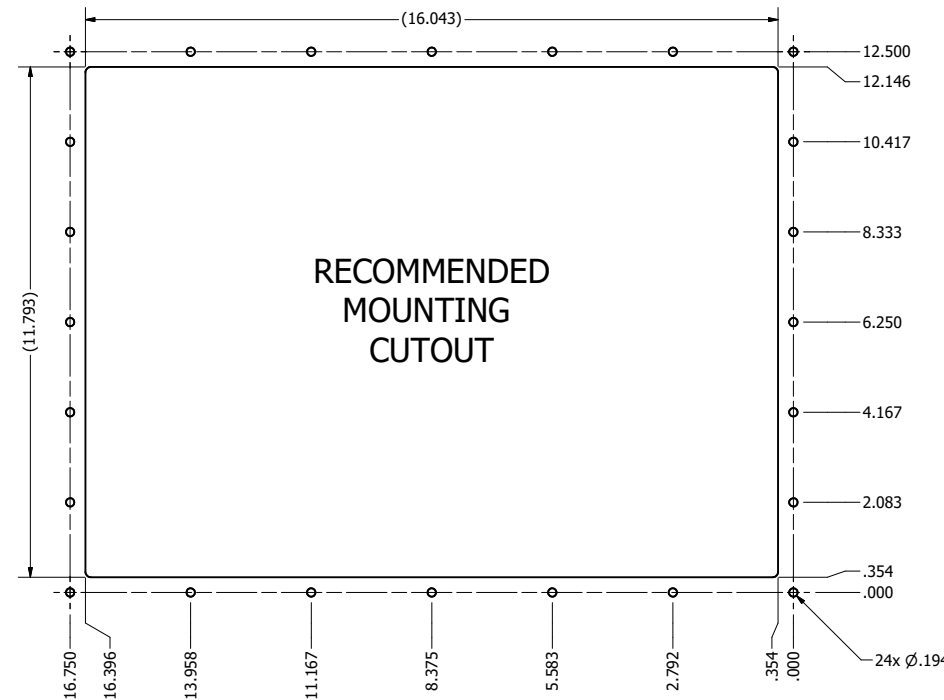
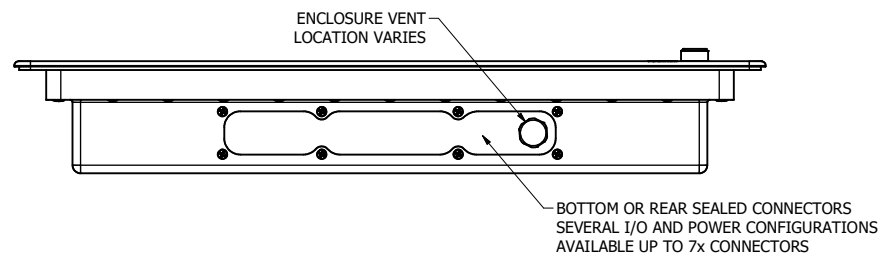
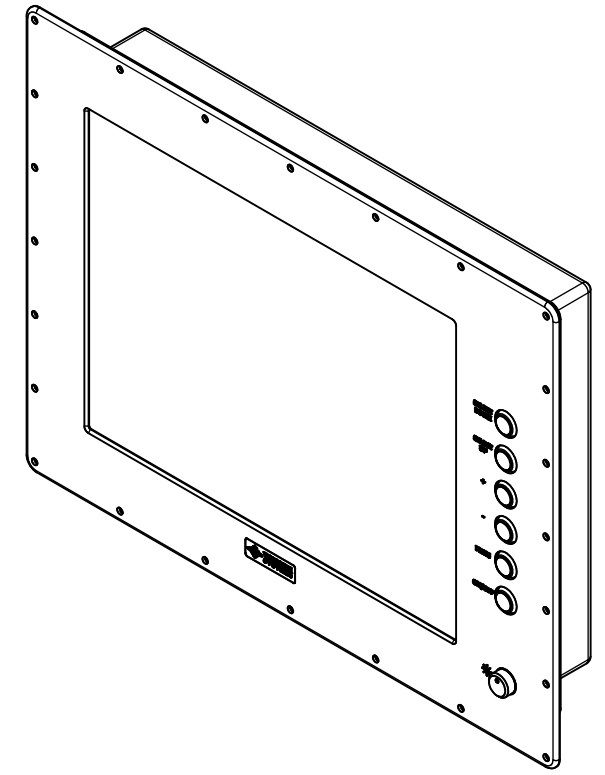
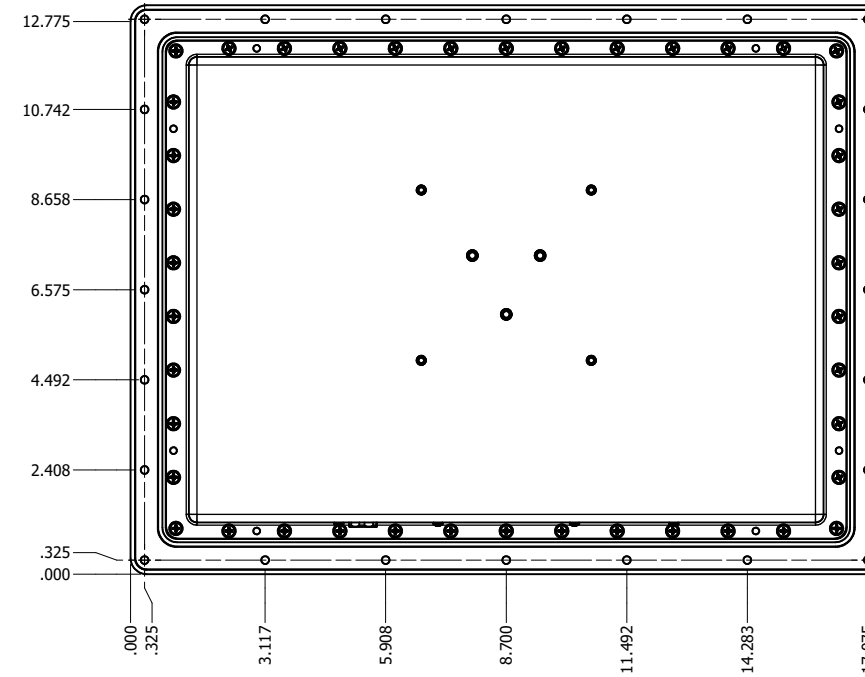
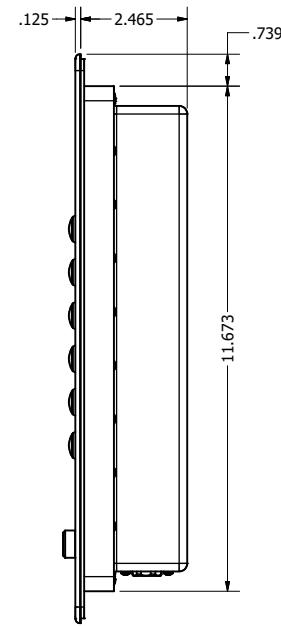
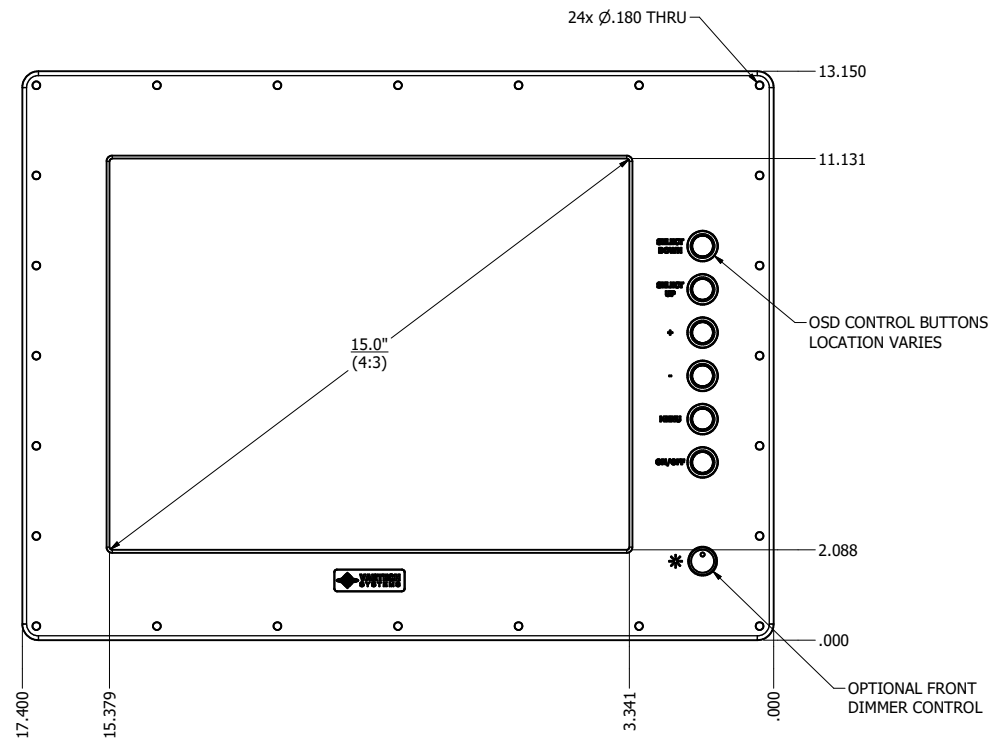
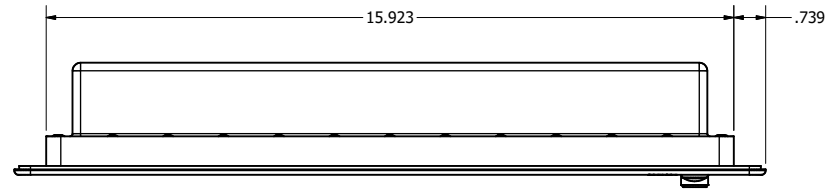


15.0" AW4 CONSOLE MOUNT EXTREME (Monitor)

PRELIMINARY DRAWING
DIMENSIONS ARE SUBJECT TO CHANGE

| REVISION HISTORY | | | |
|------------------|-----------|----------|-----------------|
| REV | DATE | INITIALS | DESCRIPTION |
| 0 | 4/12/2021 | maw | INITIAL RELEASE |



| | | | | |
|-------------------------------|------|---|-----|------------------------------------|
| DRAWN BY: | | USE WITH PRODUCT NUMBER | | VARTECH SYSTEMS INC. |
| | | | | |
| MATERIAL & FINISH | | TITLE | | |
| | | OUTLINE DRAWING ALL-WEATHER - GEN 4 | | |
| SHEET | SIZE | PART NUMBER | REV | |
| 4 of 4 | D | VTAW4M150aCXA | 0 | |
| TOLERANCES: .XX=.01 .XXX=.005 | | | | |