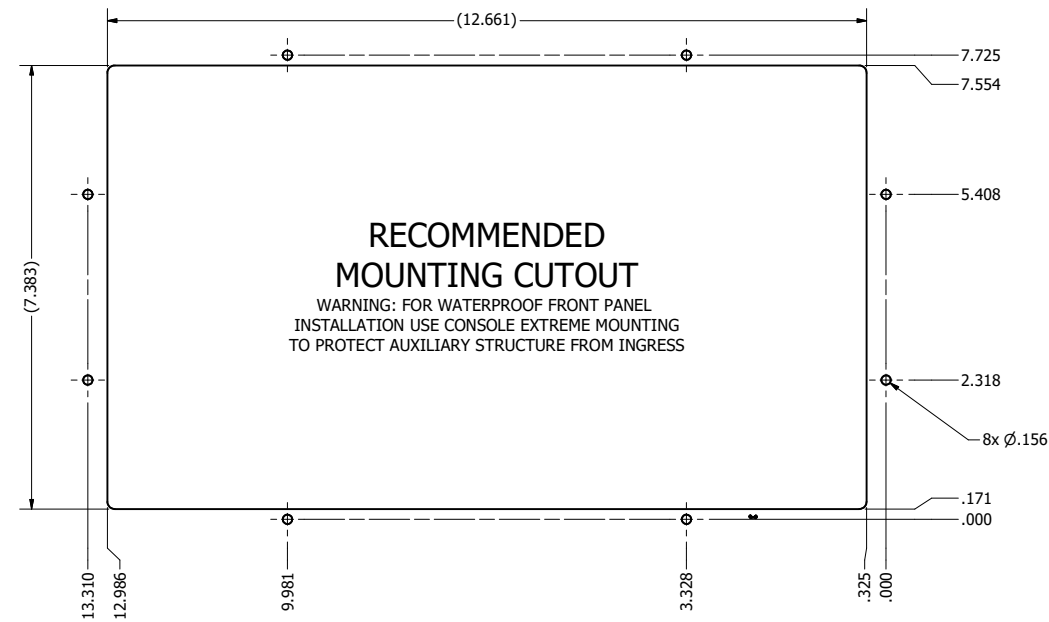
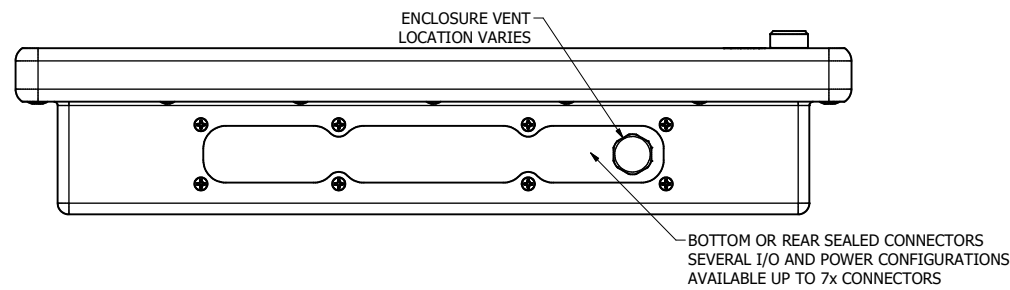
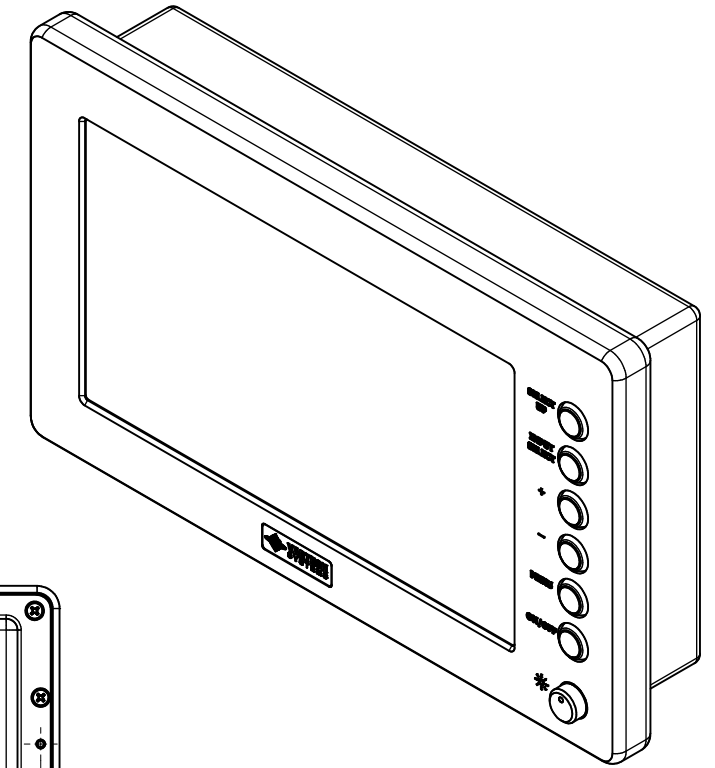
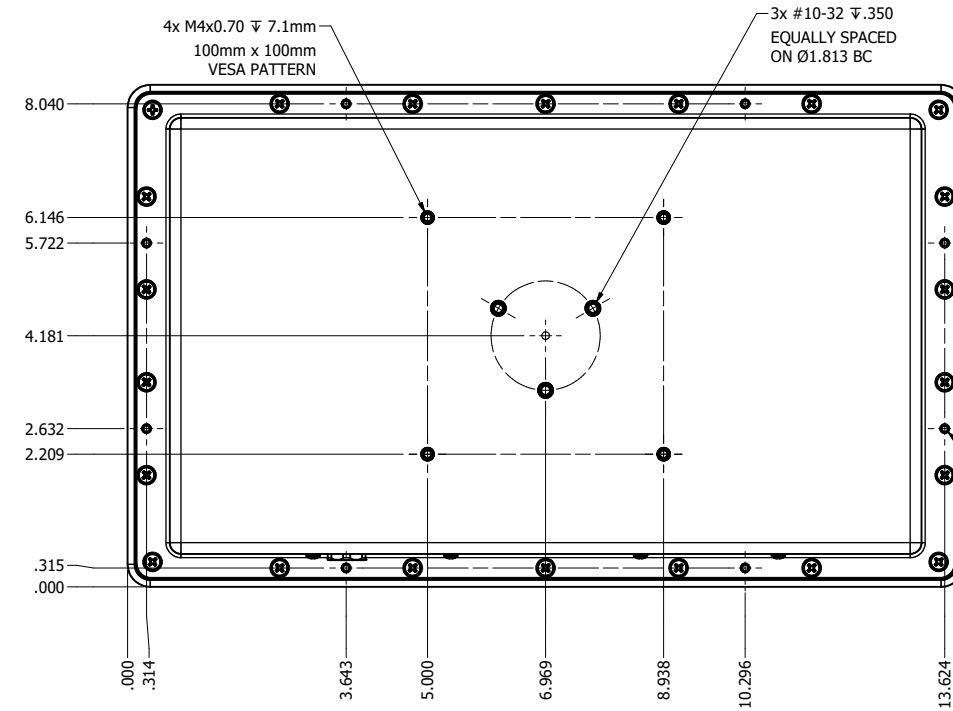
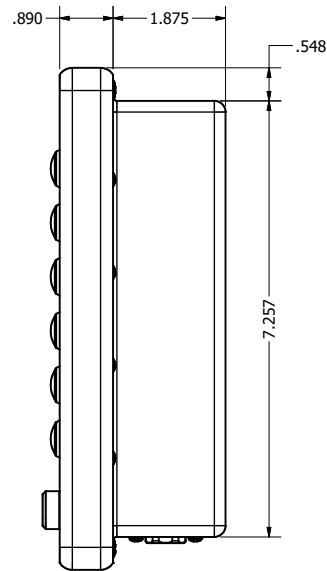
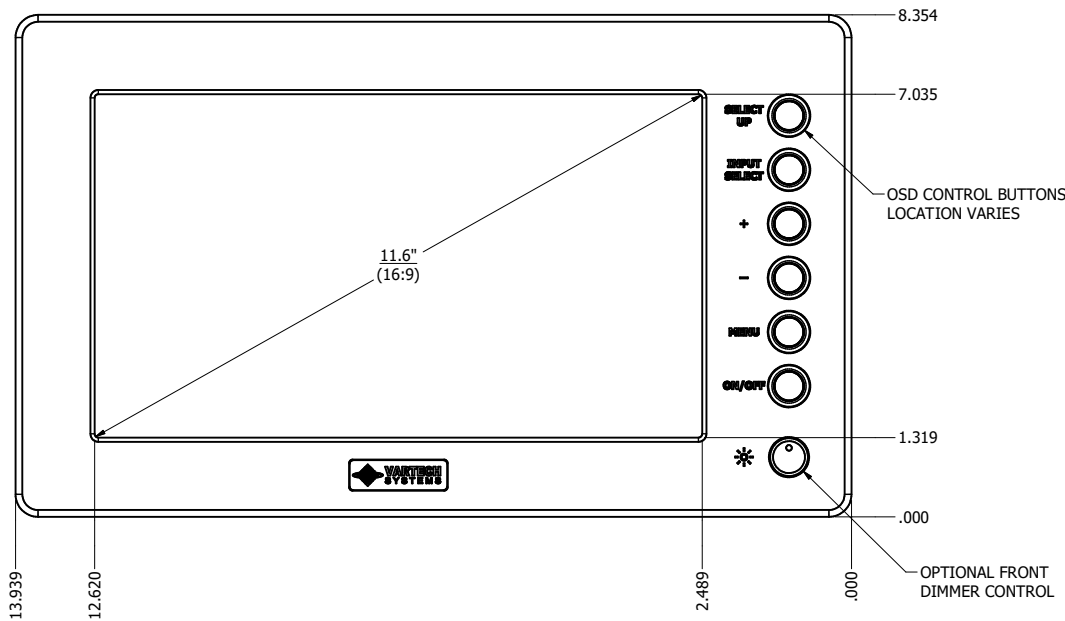
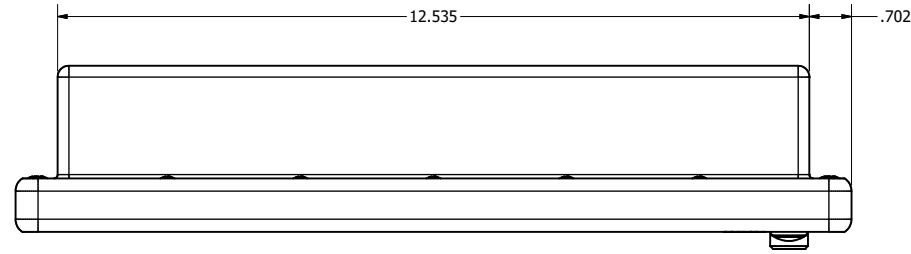


11.6" AW4 DIVERSE MOUNTING (Monitor)

PRELIMINARY DRAWING
DIMENSIONS ARE SUBJECT TO CHANGE

REVISION HISTORY			
REV	DATE	INITIALS	DESCRIPTION
0	4/12/2021	maw	INITIAL RELEASE

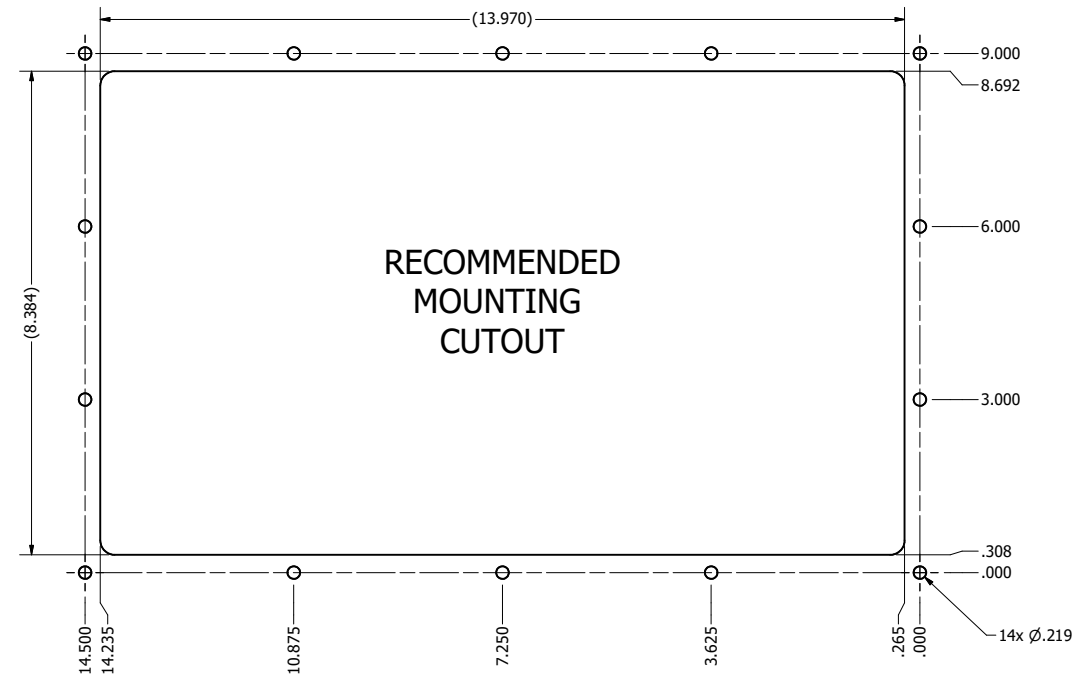
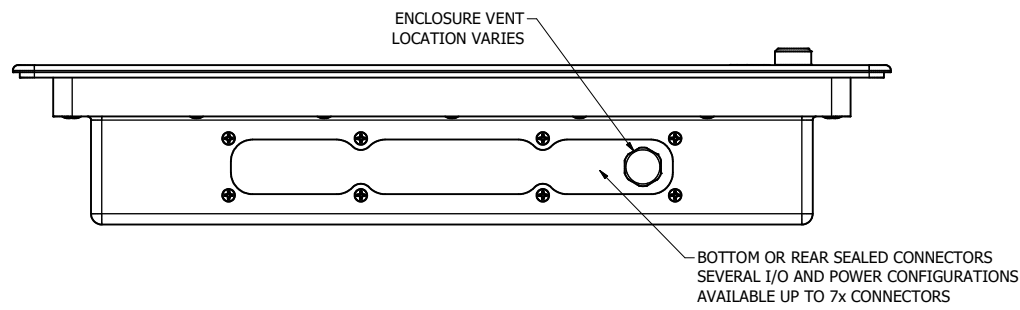
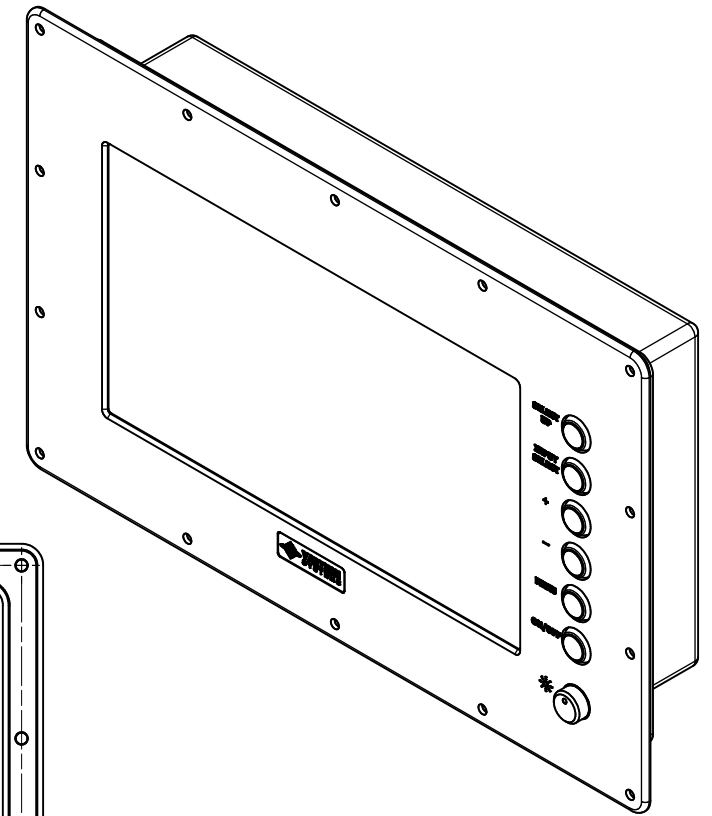
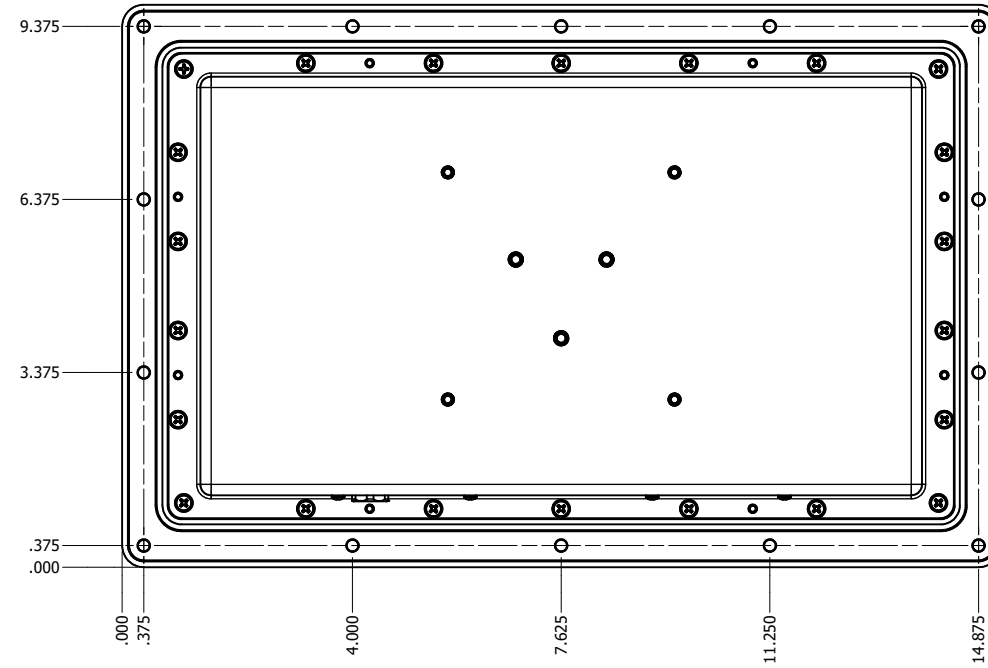
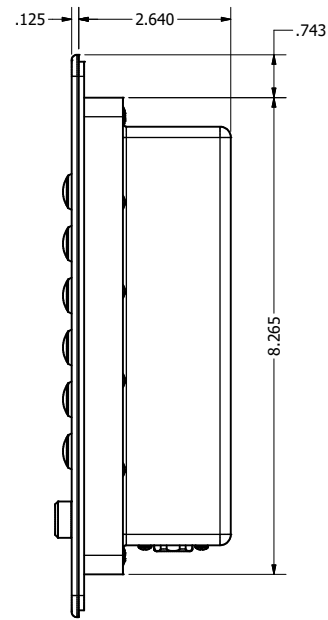
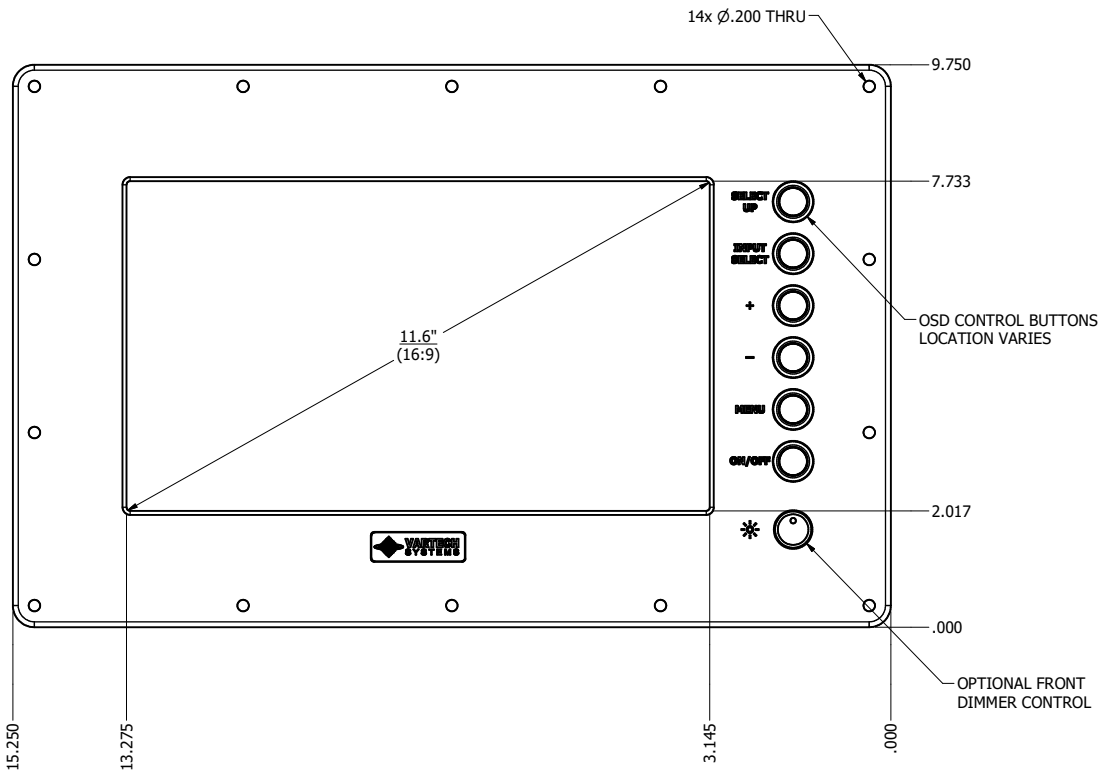
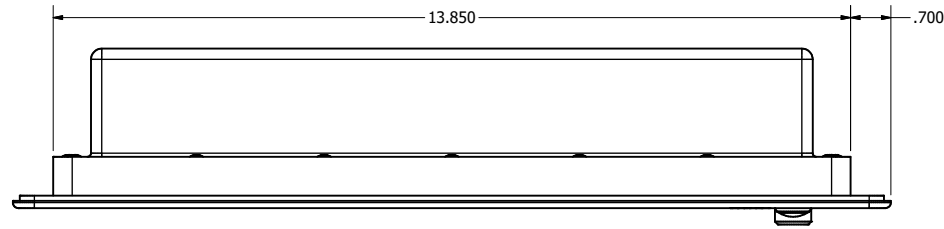


DRAWN BY: mwitham		4/12/2021		
USE WITH PRODUCT NUMBER				
MATERIAL & FINISH				TITLE
				OUTLINE DRAWING ALL-WEATHER - GEN 4
SHEET	SIZE	PART NUMBER	REV	
2 of 4	D	VTAW4M116bADA	0	
TOLERANCES: .XX=.01 .XXX=.005				

11.6" AW4 CONSOLE MOUNT EXTREME (Monitor)

PRELIMINARY DRAWING
DIMENSIONS ARE SUBJECT TO CHANGE

REVISION HISTORY			
REV	DATE	INITIALS	DESCRIPTION
0	4/12/2021	maw	INITIAL RELEASE



DRAWN BY: mwitham	4/12/2021
USE WITH PRODUCT NUMBER	
MATERIAL & FINISH	
TOLERANCES: .XX=.01 .XXX=.005	

TITLE			
OUTLINE DRAWING ALL-WEATHER - GEN 4			
SHEET	SIZE	PART NUMBER	REV
4 of 4	D	VTAW4M116bCXA	0