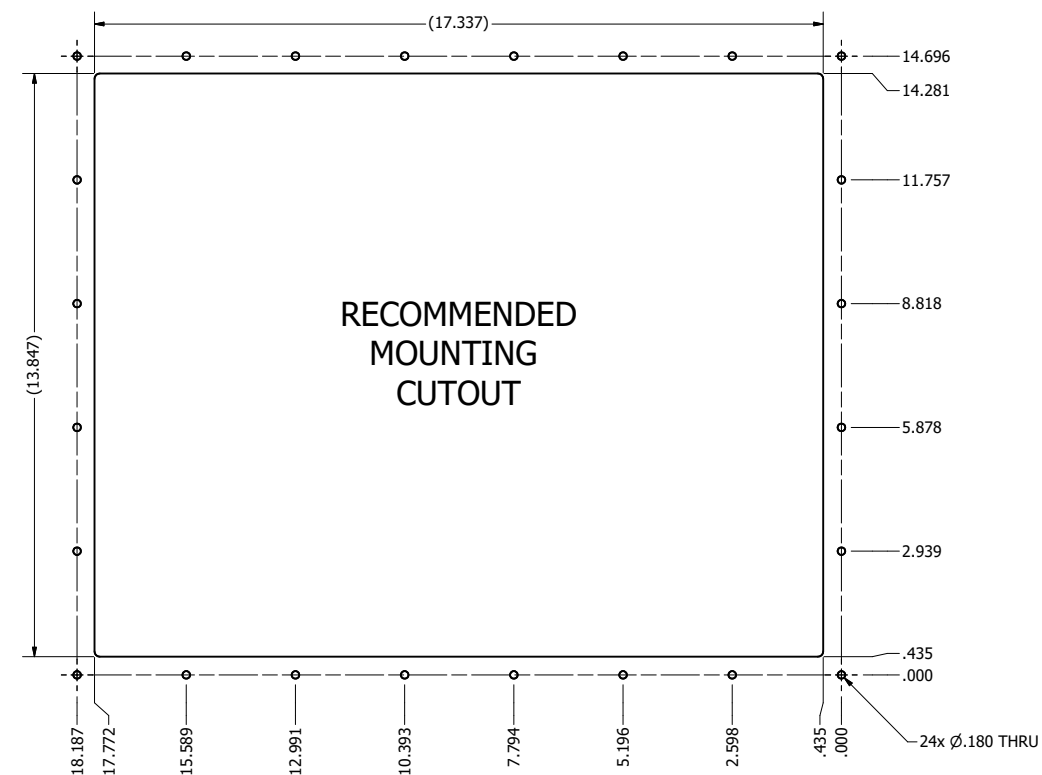
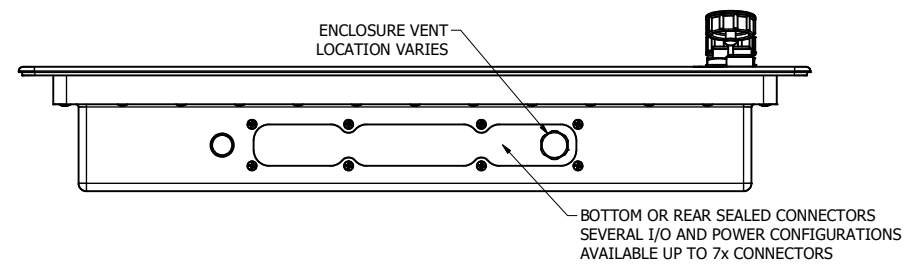
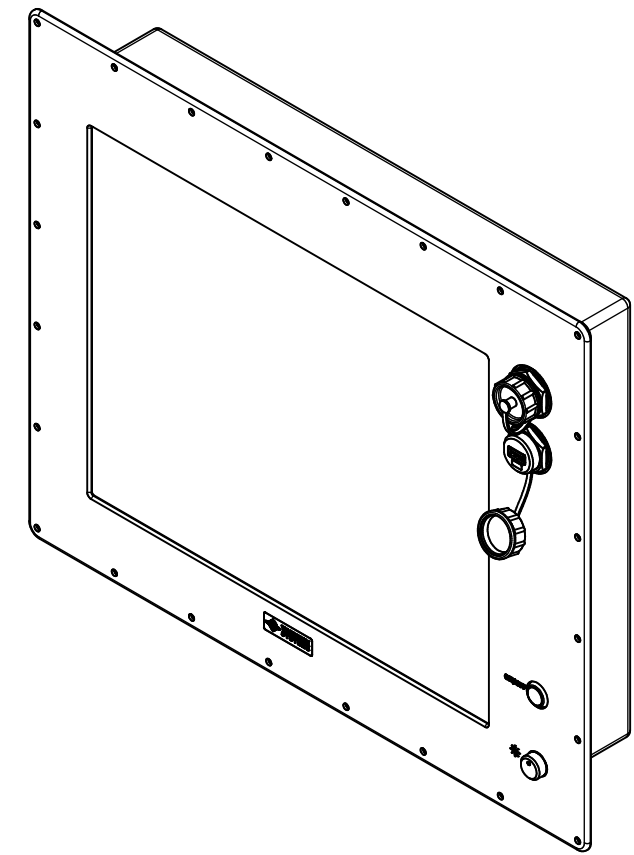
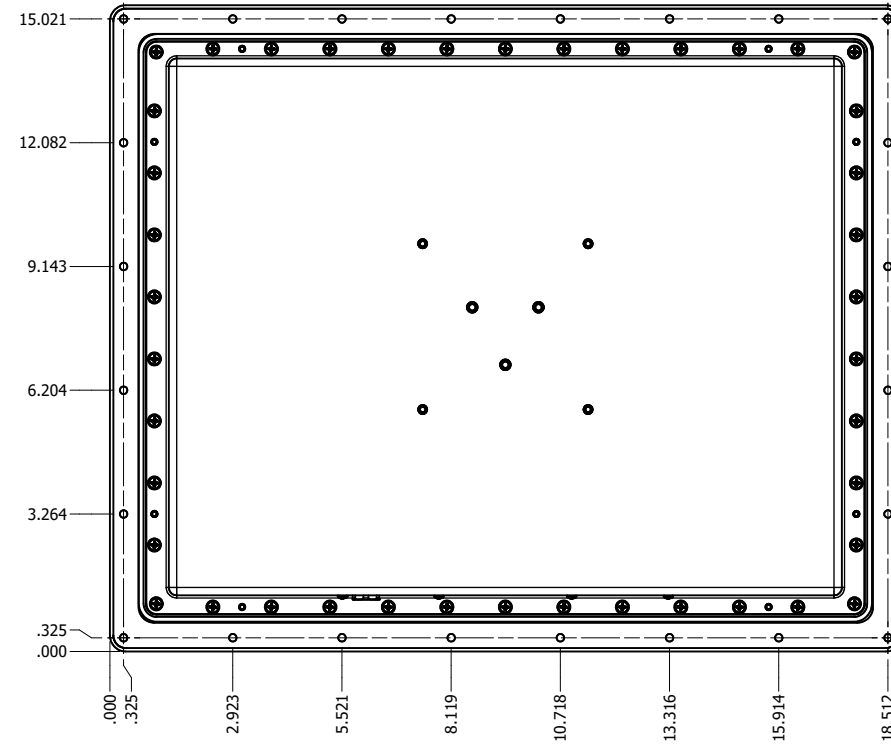
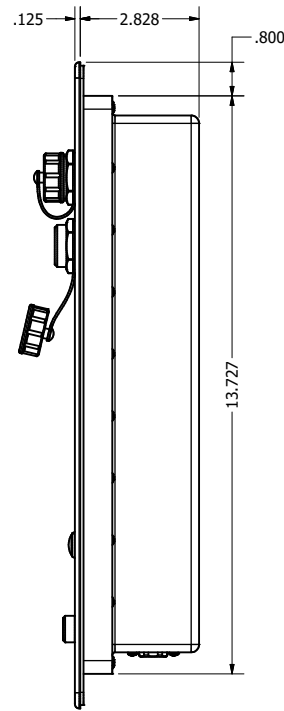
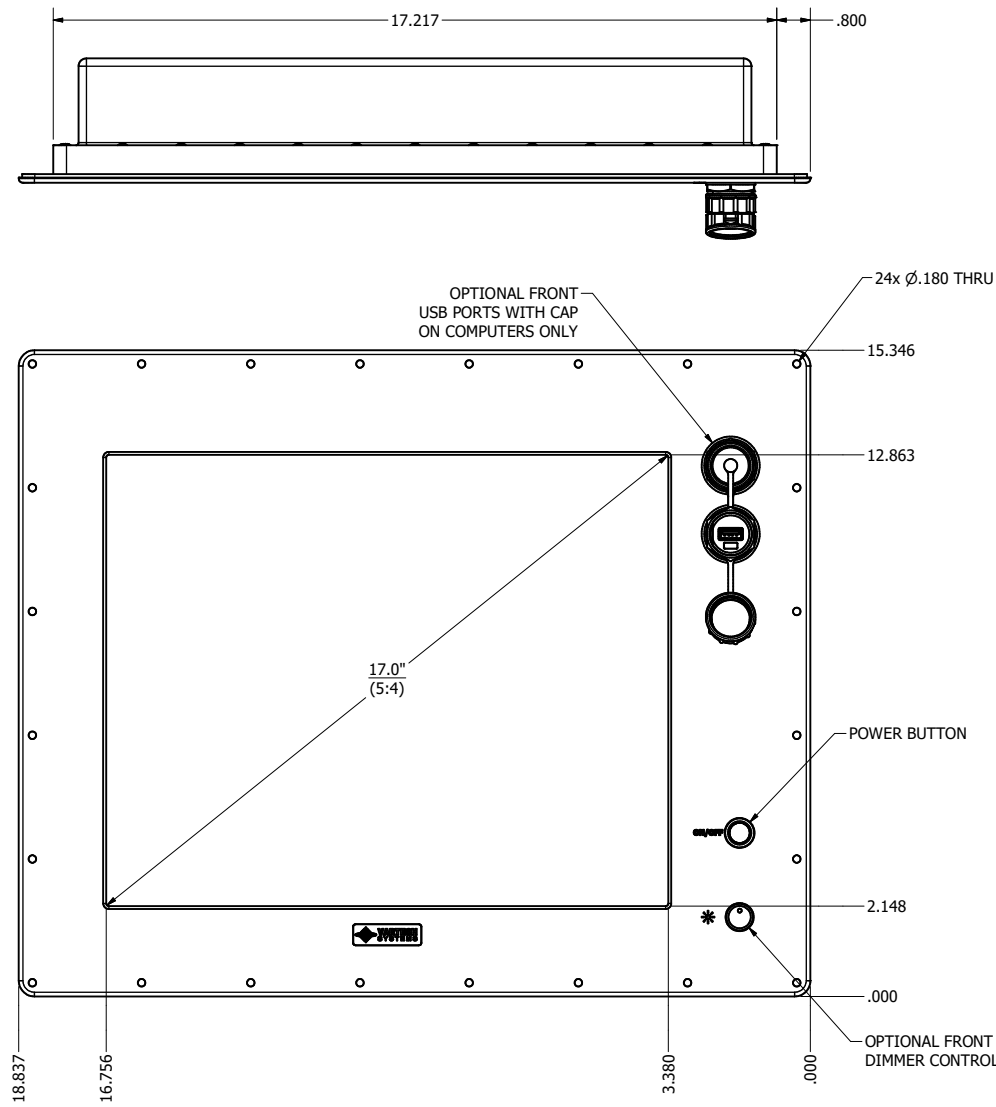


# 17.0" AW4 CONSOLE MOUNT EXTREME (Computer)

PRELIMINARY DRAWING  
DIMENSIONS ARE SUBJECT TO CHANGE

REVISION HISTORY			
REV	DATE	INITIALS	DESCRIPTION
0	4/12/2021	maw	INITIAL RELEASE



DRAWN BY: mwitham		4/20/2021	
USE WITH PRODUCT NUMBER			
MATERIAL & FINISH			
TOLERANCES: .XX=.01 .XXX=.005			

TITLE			
<b>OUTLINE DRAWING</b> ALL-WEATHER - GEN 4			
SHEET	SIZE	PART NUMBER	REV
3 of 4	D	VTAW4C170dCXA	0