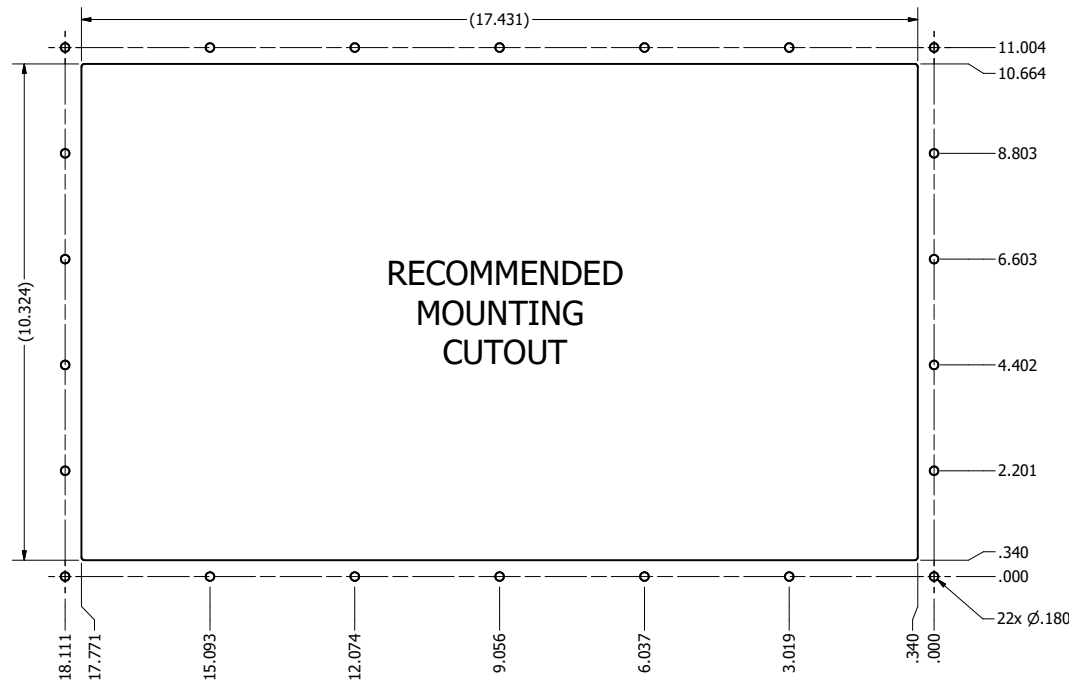
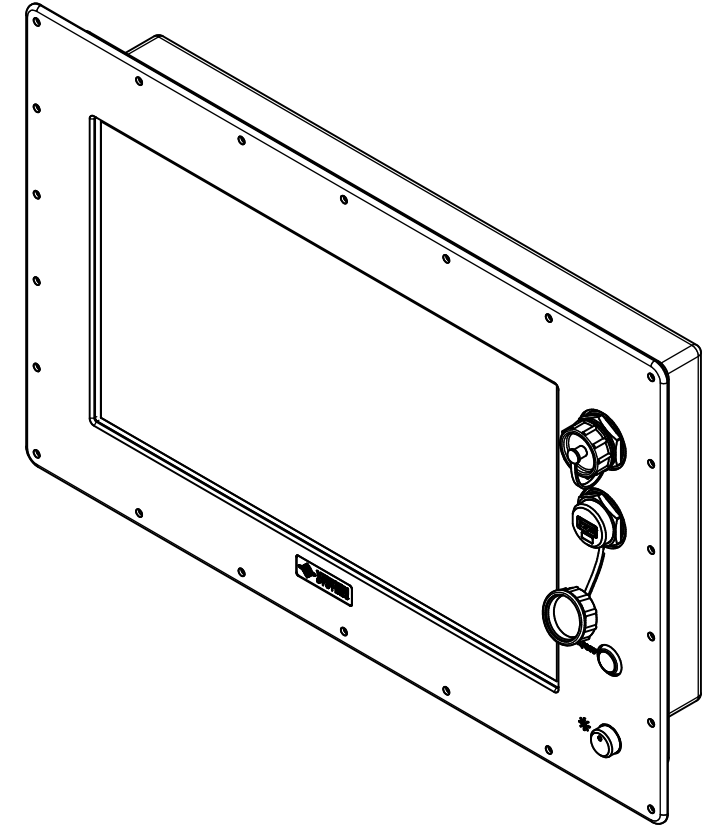
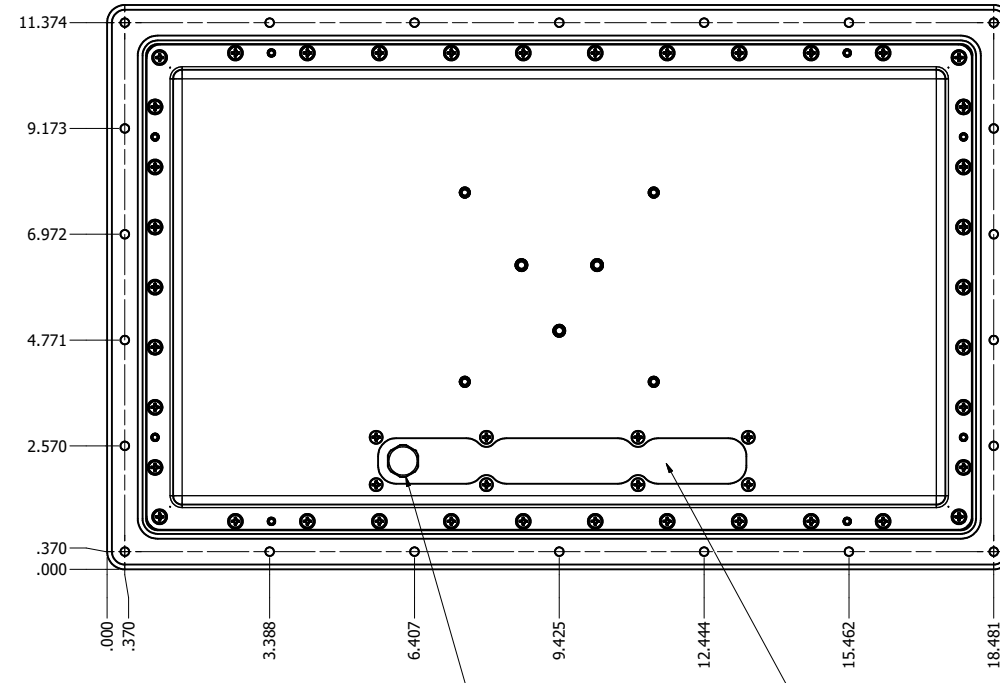
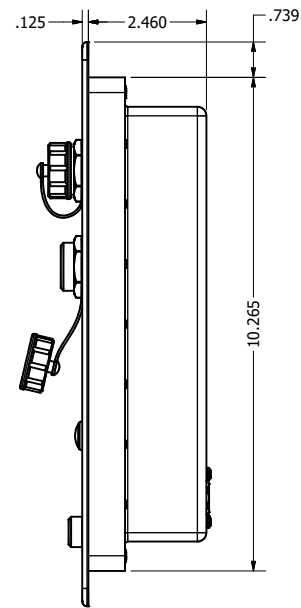
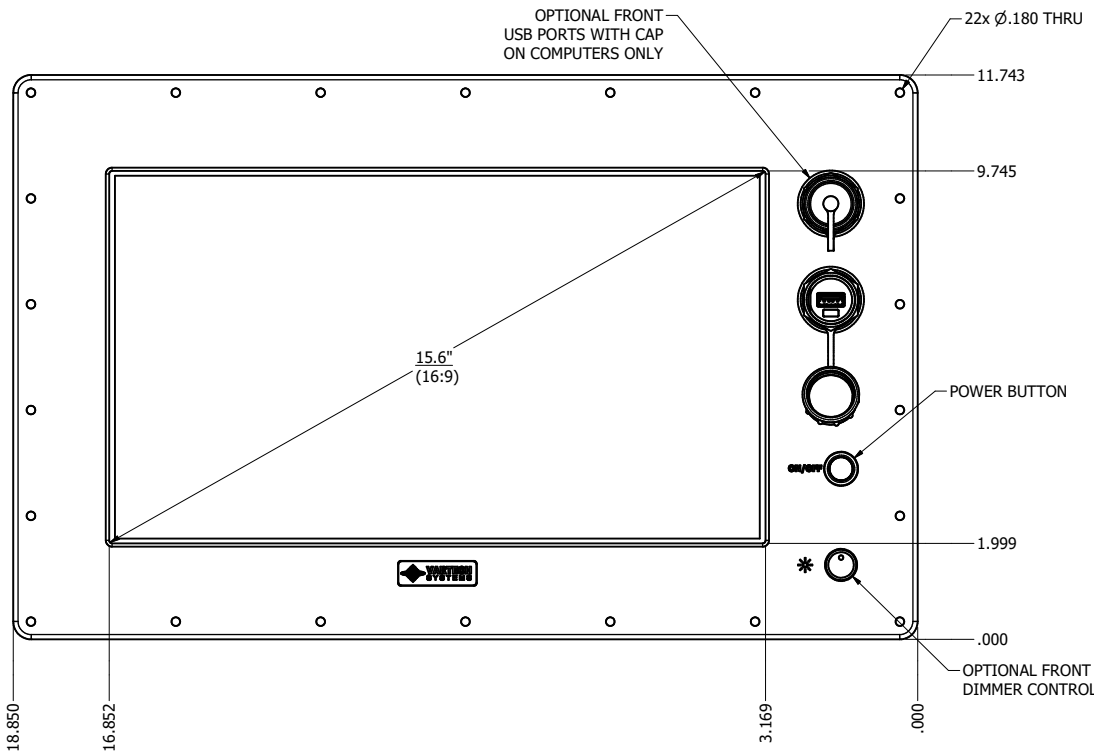


15.6" AW4 CONSOLE MOUNT EXTREME (Computer)

PRELIMINARY DRAWING
DIMENSIONS ARE SUBJECT TO CHANGE

| REVISION HISTORY | | | |
|------------------|-----------|----------|-----------------|
| REV | DATE | INITIALS | DESCRIPTION |
| 0 | 4/12/2021 | TAK | INITIAL RELEASE |



ENCLOSURE VENT LOCATION VARIES
BOTTOM OR REAR SEALED CONNECTORS
SEVERAL I/O AND POWER CONFIGURATIONS
AVAILABLE UP TO 7x CONNECTORS

| | | | | |
|-------------------------------|------|---------------|-----|--|
| DRAWN BY: TAK | | 11/8/2019 | | |
| USE WITH PRODUCT NUMBER | | | | |
| MATERIAL & FINISH | | | | TITLE |
| | | | | OUTLINE DRAWING ALL-WEATHER - GEN 4 |
| SHEET | SIZE | PART NUMBER | REV | |
| 3 of 4 | D | VTAW4C156bCXA | 0 | |
| TOLERANCES: .XX=.01 .XXX=.005 | | | | |