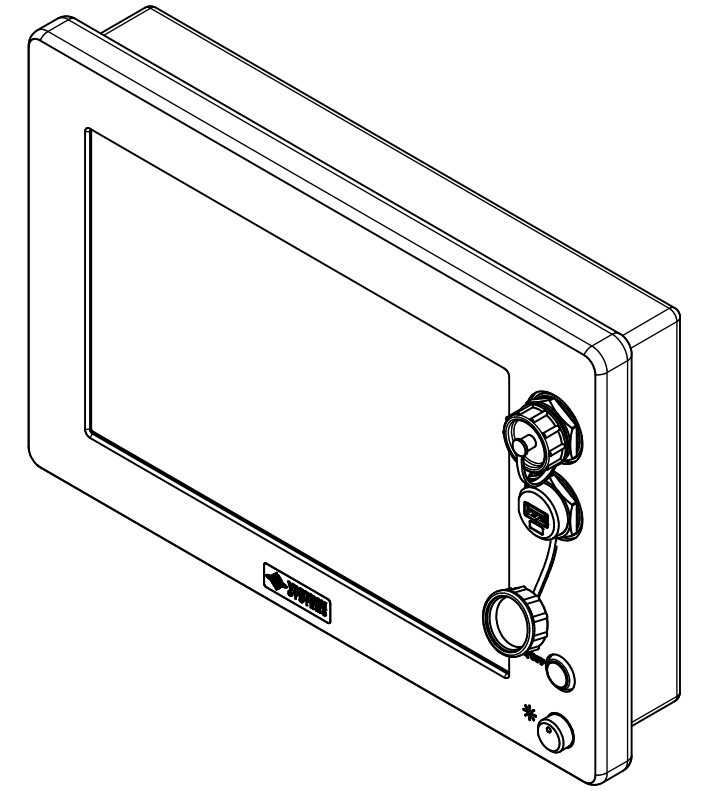
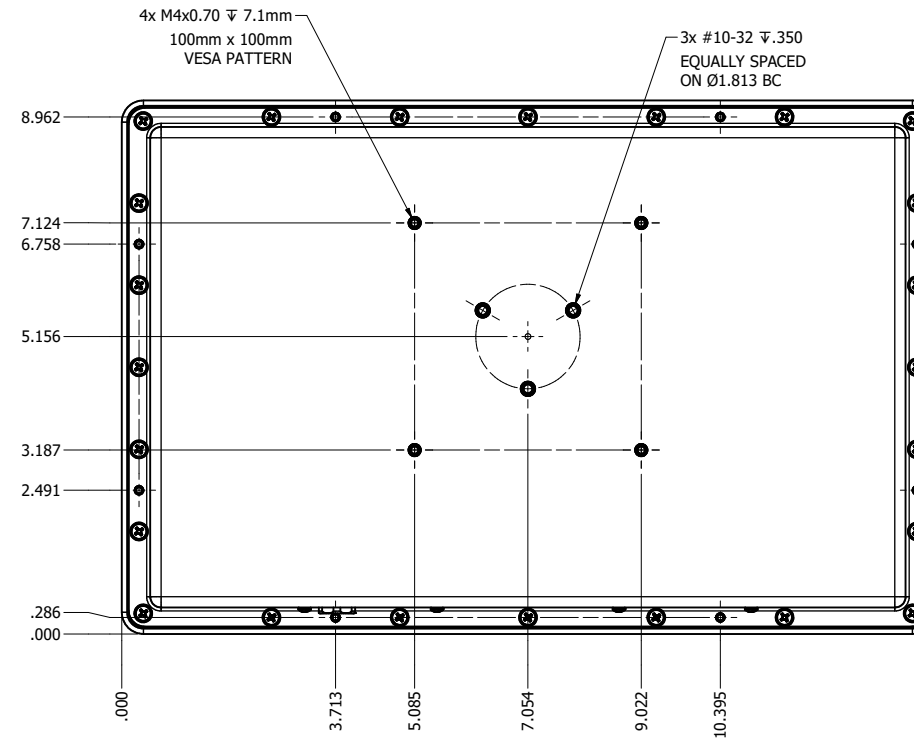
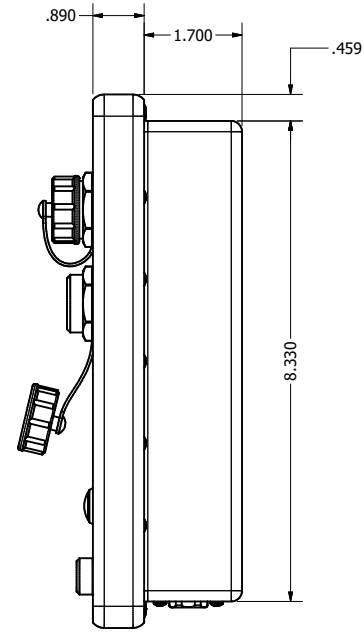
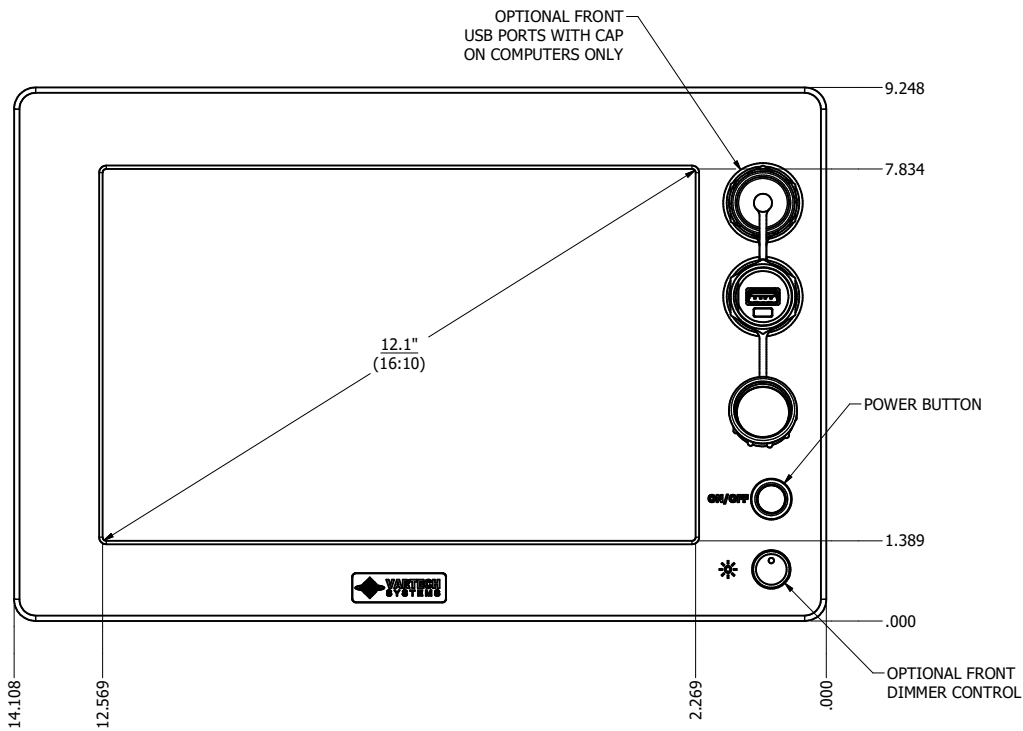
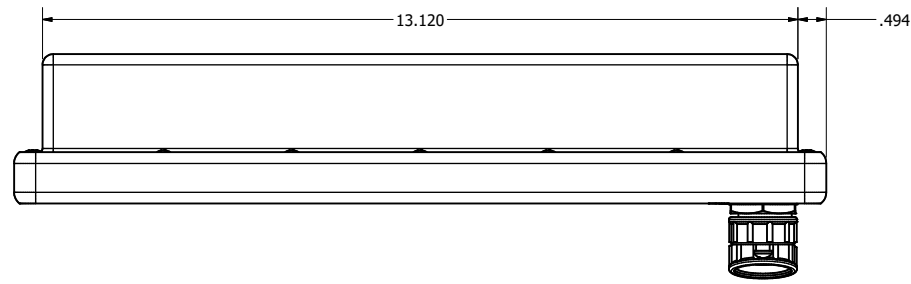


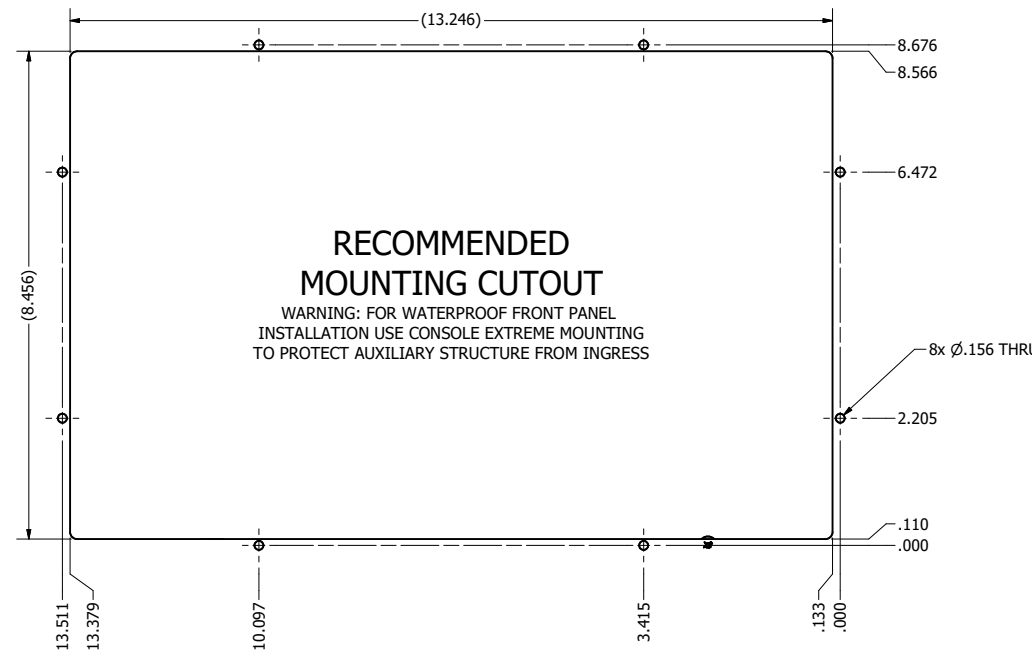
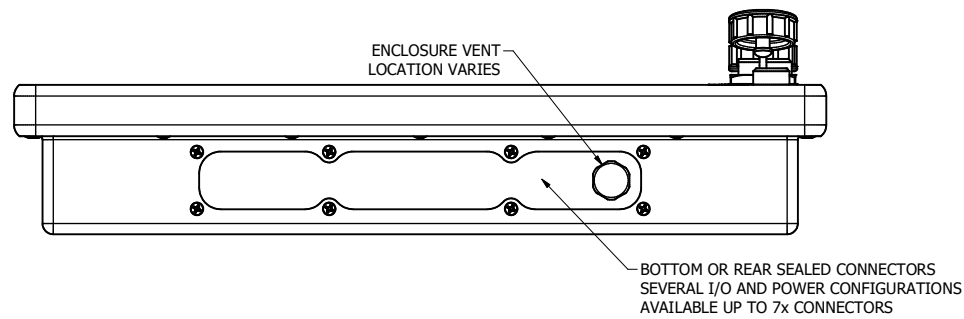
12.1" AW4 DIVERSE MOUNTING (Computer)

PRELIMINARY DRAWING
DIMENSIONS ARE SUBJECT TO CHANGE

REVISION HISTORY			
REV	DATE	INITIALS	DESCRIPTION
0	4/12/2021	maw	INITIAL RELEASE



8x #6-32 ∇ .44
FOR ALL-WEATHER STYLE PANEL MOUNT



DRAWN BY: mwitham		4/16/2021	
USE WITH PRODUCT NUMBER			
MATERIAL & FINISH			
TOLERANCES: .XX=-.01 .XXX=-.005			



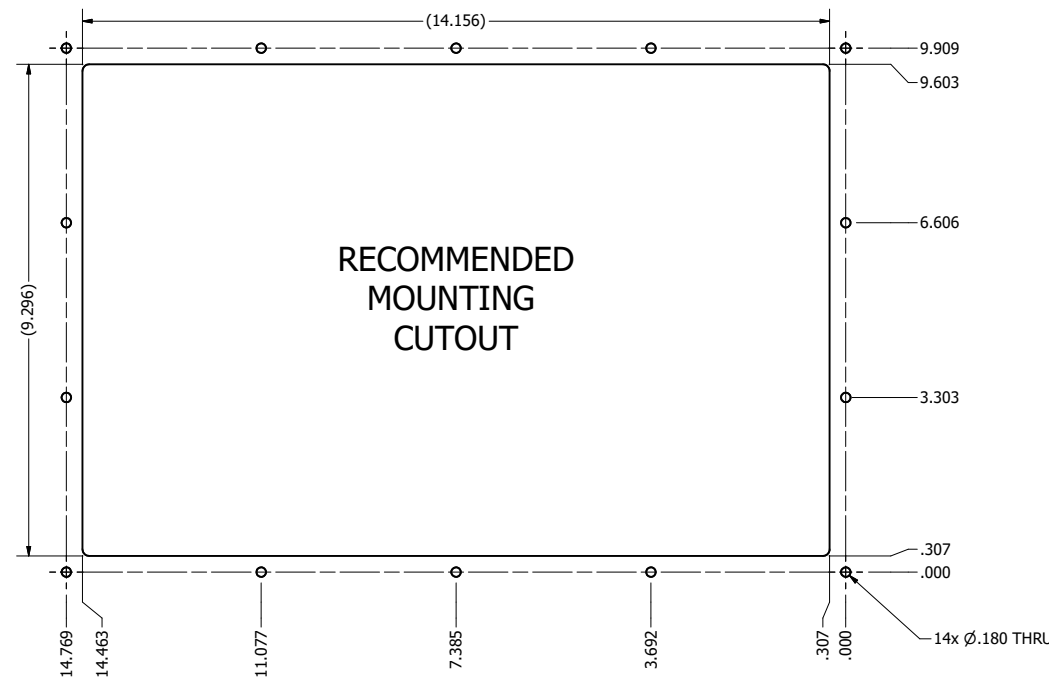
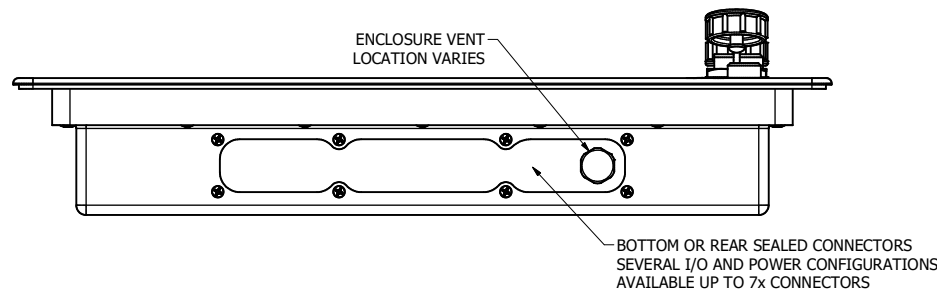
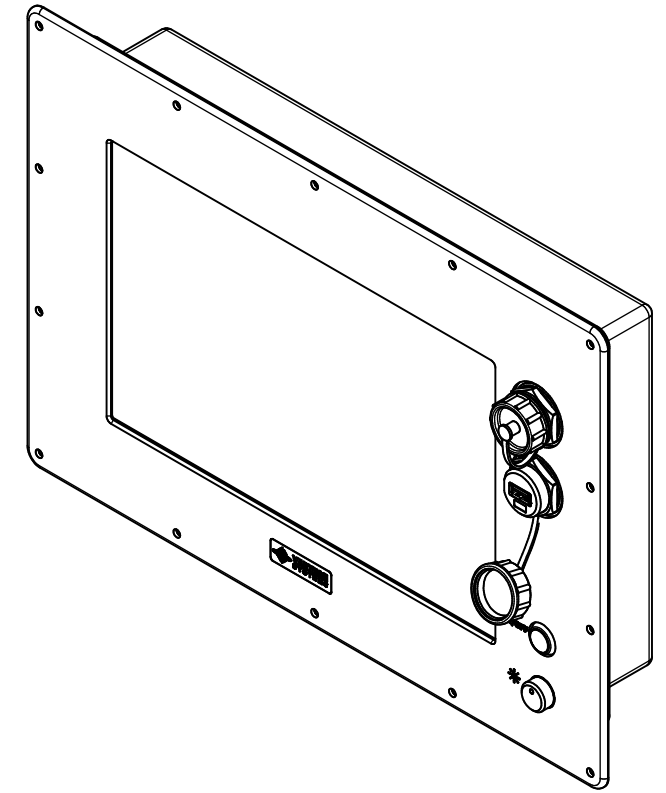
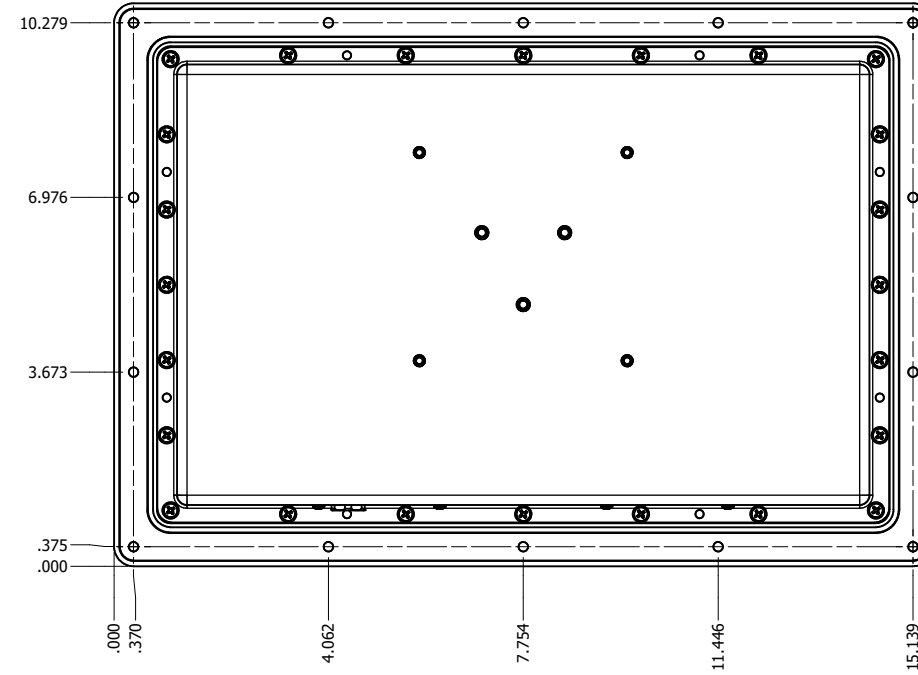
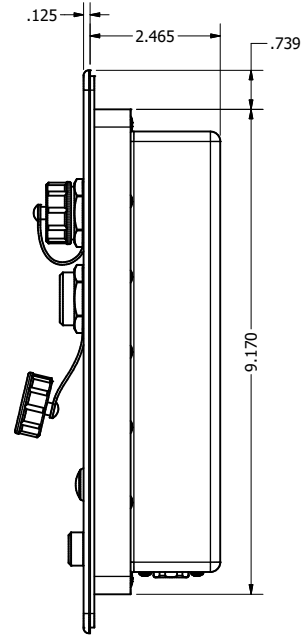
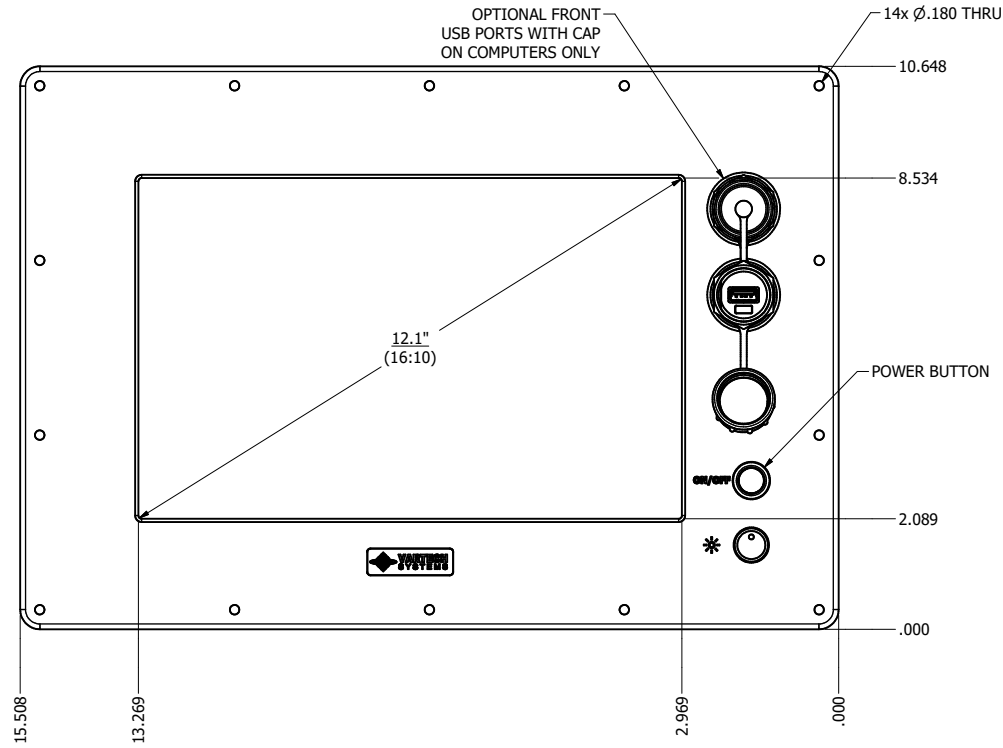
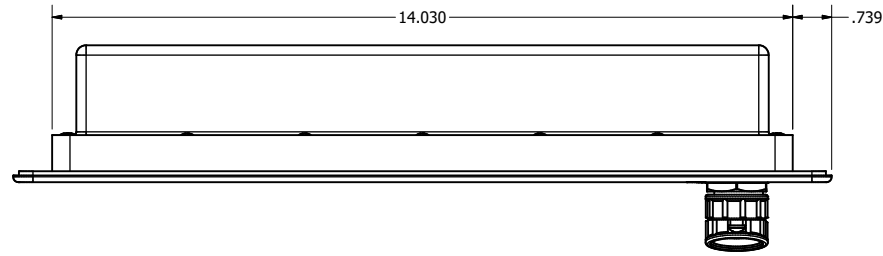
TITLE
OUTLINE DRAWING
ALL-WEATHER - GEN 4

SHEET	SIZE	PART NUMBER	REV
1 of 4	D	VTAW4C121cADA	0

12.1" AW4 CONSOLE MOUNT EXTREME (Computer)

PRELIMINARY DRAWING
DIMENSIONS ARE SUBJECT TO CHANGE

REVISION HISTORY			
REV	DATE	INITIALS	DESCRIPTION
0	4/12/2021	maw	INITIAL RELEASE



DRAWN BY:	
USE WITH PRODUCT NUMBER	
MATERIAL & FINISH	
TOLERANCES: .XX=.01 .XXX=.005	

TITLE			
OUTLINE DRAWING ALL-WEATHER - GEN 4			
SHEET	SIZE	PART NUMBER	REV
3 of 4	D	VTAW4C121cCXA	0