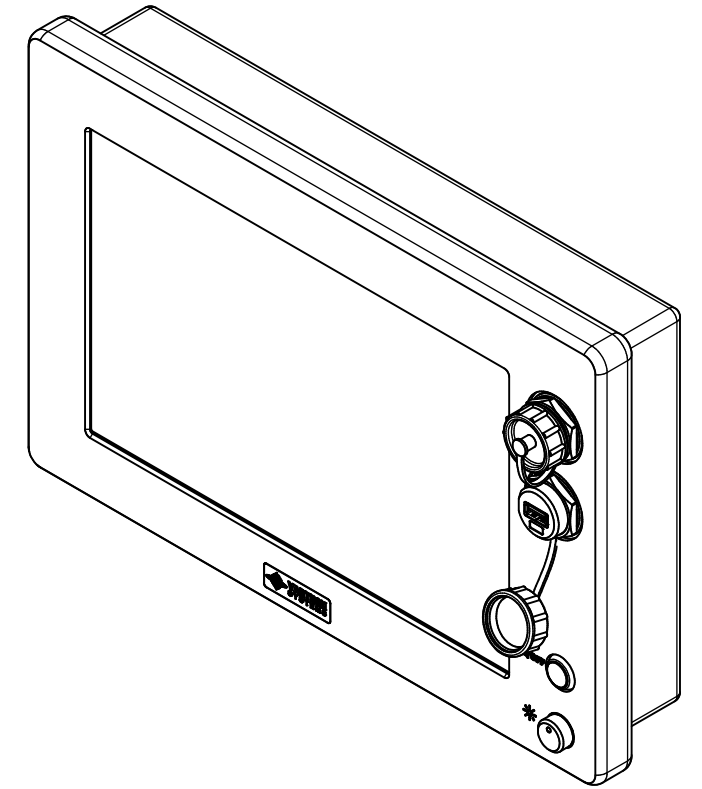
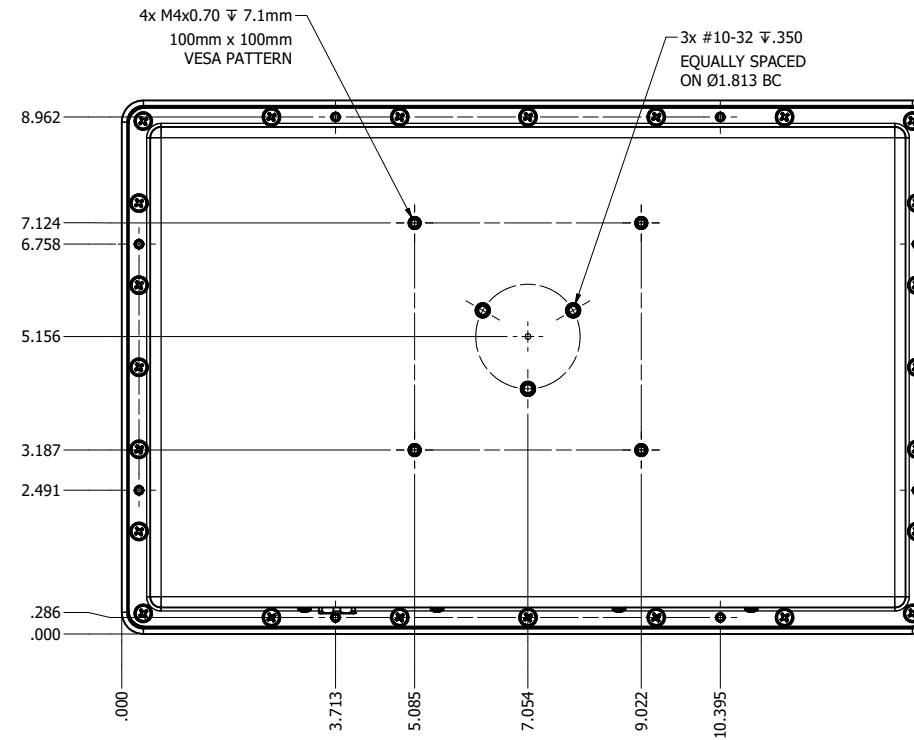
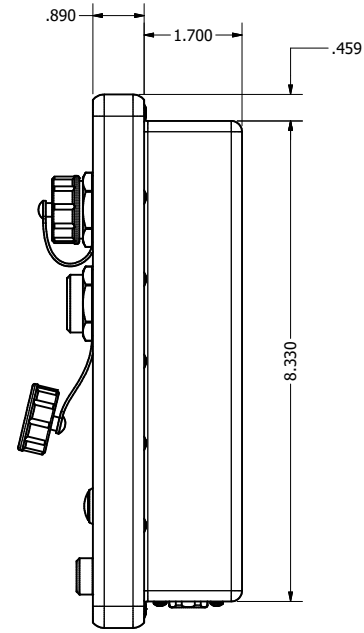
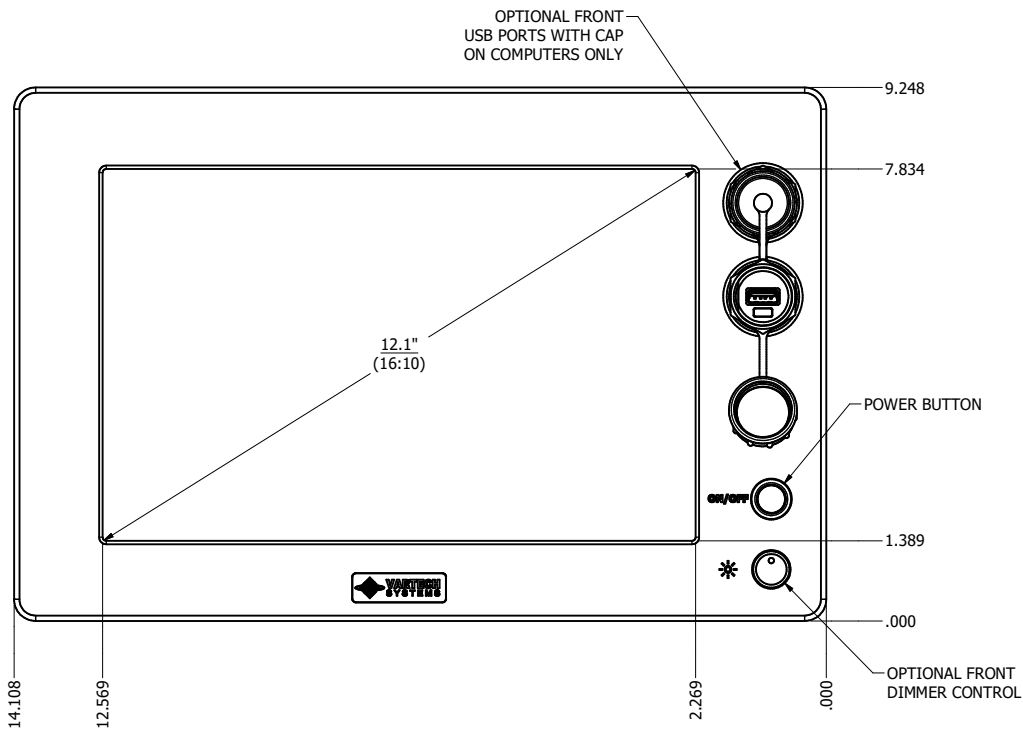
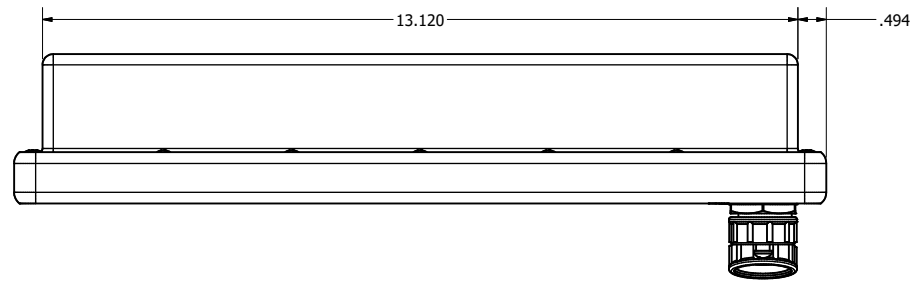


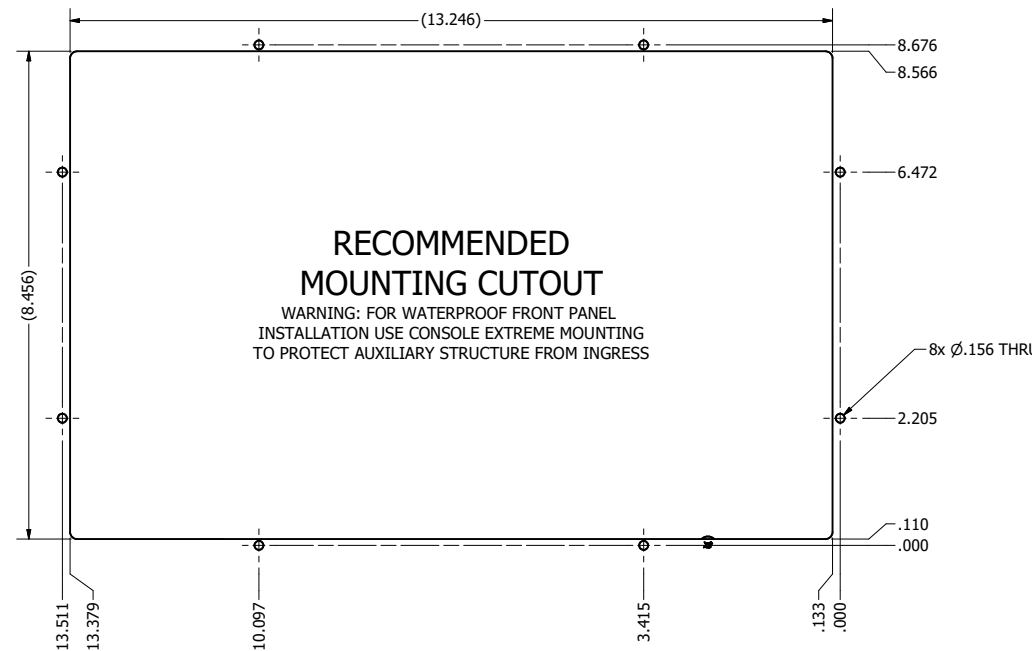
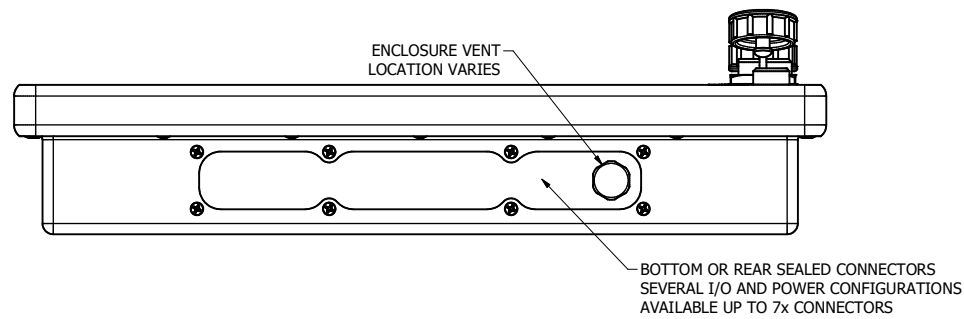
12.1" AW4 DIVERSE MOUNTING (Computer)

PRELIMINARY DRAWING
DIMENSIONS ARE SUBJECT TO CHANGE

| REVISION HISTORY | | | |
|------------------|-----------|----------|-----------------|
| REV | DATE | INITIALS | DESCRIPTION |
| 0 | 4/12/2021 | maw | INITIAL RELEASE |



8x #6-32 ∇ .44
FOR ALL-WEATHER STYLE PANEL MOUNT



| | | | | |
|---------------------------------|------|---------------|-----|--|
| DRAWN BY: mwitham | | 4/16/2021 | | |
| USE WITH PRODUCT NUMBER | | | | |
| MATERIAL & FINISH | | | | TITLE |
| | | | | OUTLINE DRAWING ALL-WEATHER - GEN 4 |
| SHEET | SIZE | PART NUMBER | REV | |
| 1 of 4 | D | VTAW4C121cADA | 0 | |
| TOLERANCES: .XX=-.01 .XXX=-.005 | | | | |