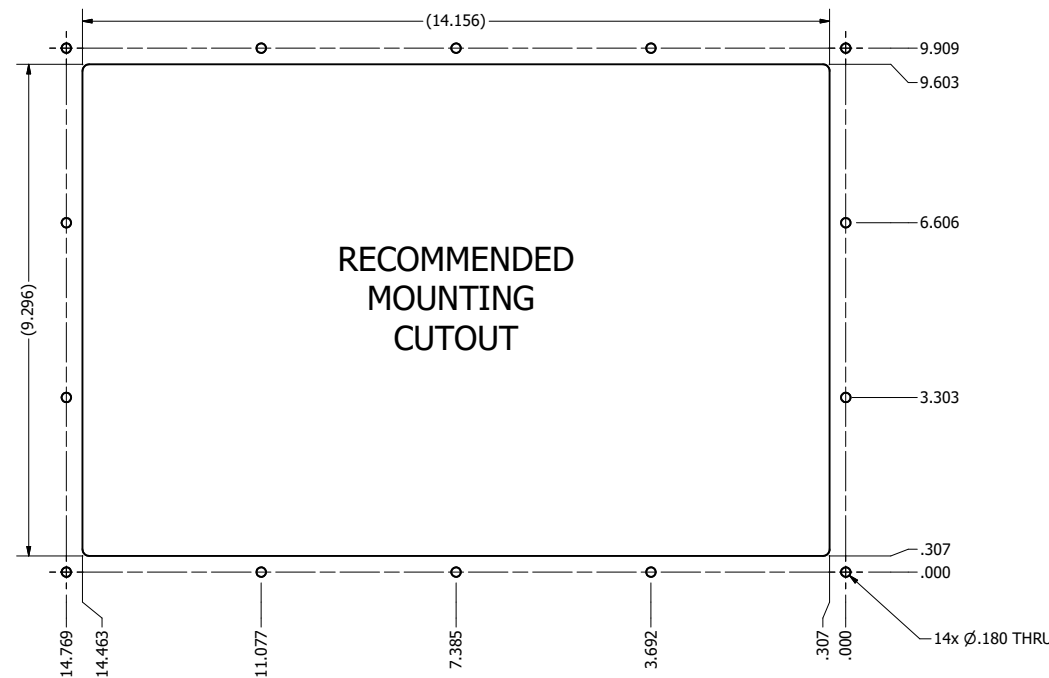
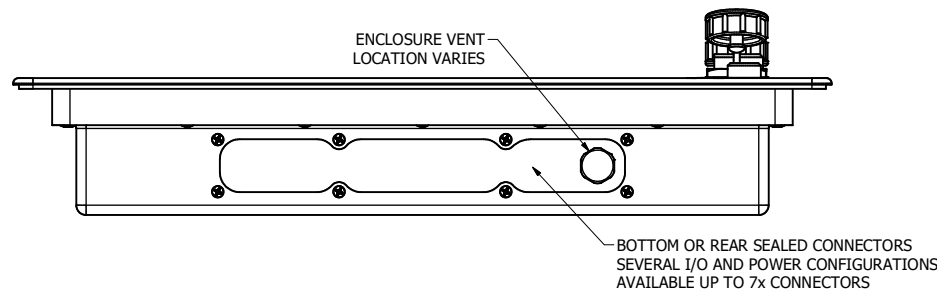
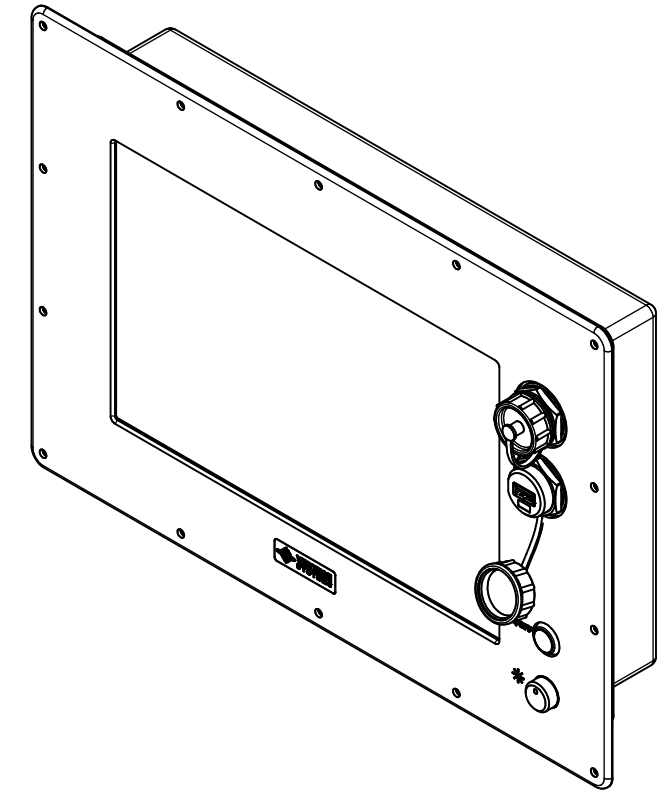
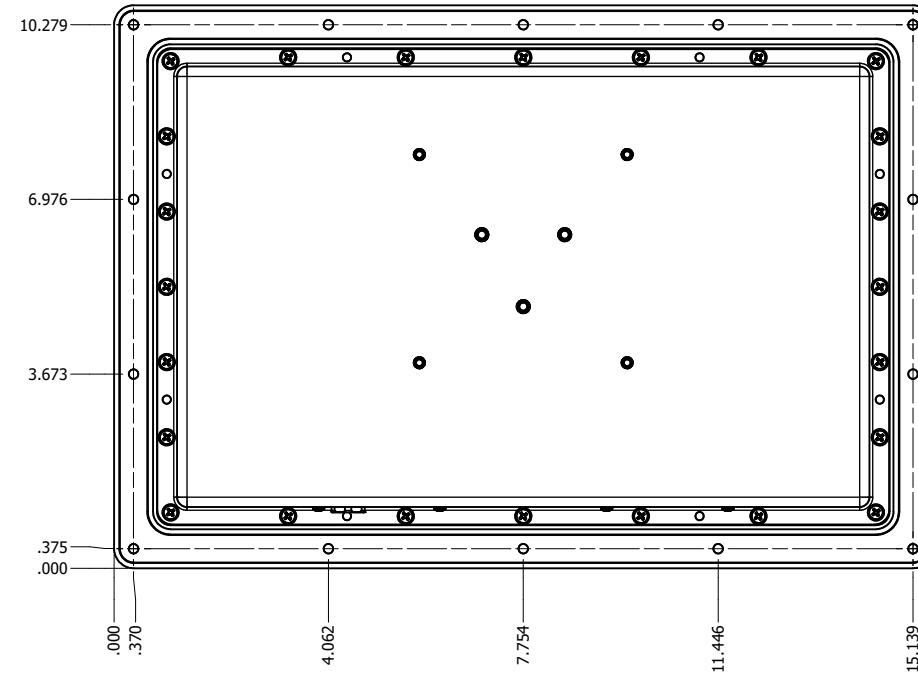
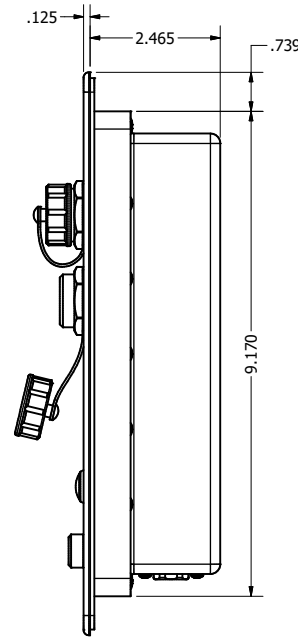
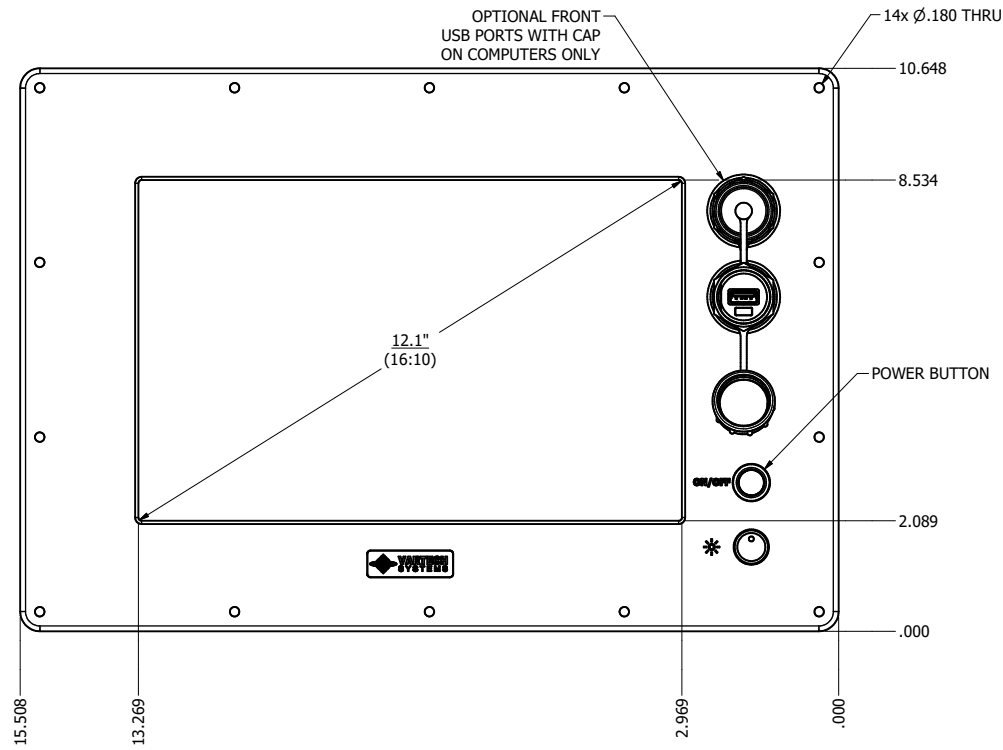
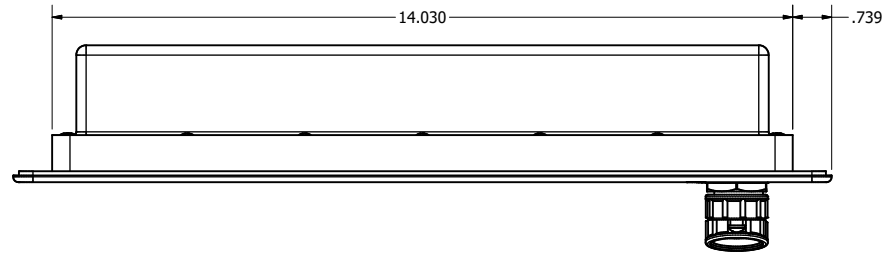


12.1" AW4 CONSOLE MOUNT EXTREME (Computer)

PRELIMINARY DRAWING
DIMENSIONS ARE SUBJECT TO CHANGE

REVISION HISTORY			
REV	DATE	INITIALS	DESCRIPTION
0	4/12/2021	maw	INITIAL RELEASE



DRAWN BY:	
USE WITH PRODUCT NUMBER	
MATERIAL & FINISH	
TOLERANCES: .XX=.01 .XXX=.005	

		TITLE	
		OUTLINE DRAWING ALL-WEATHER - GEN 4	
SHEET	SIZE	PART NUMBER	REV
3 of 4	D	VTAW4C121cCXA	0