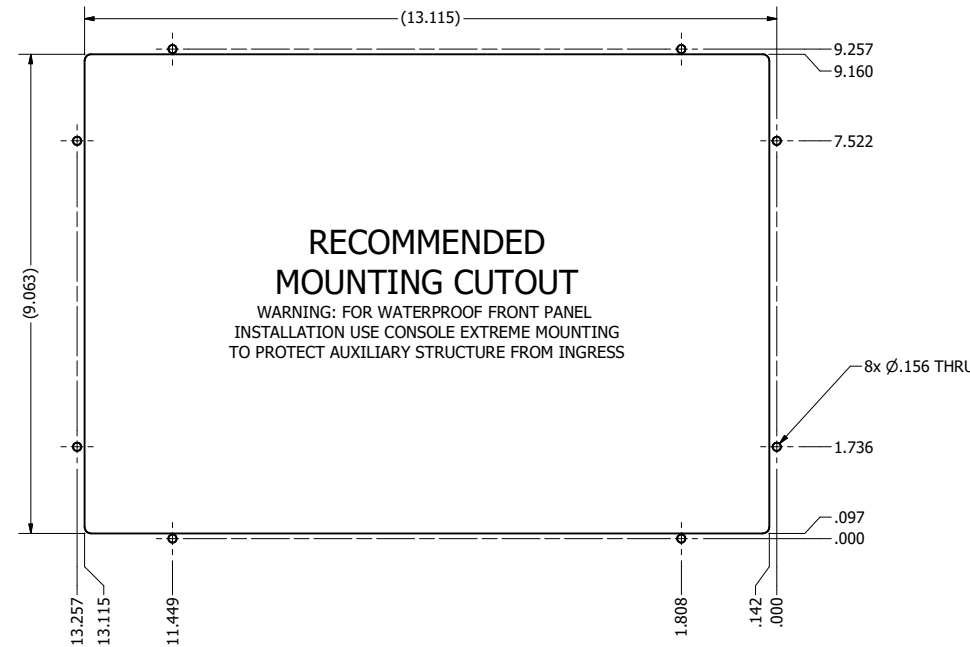
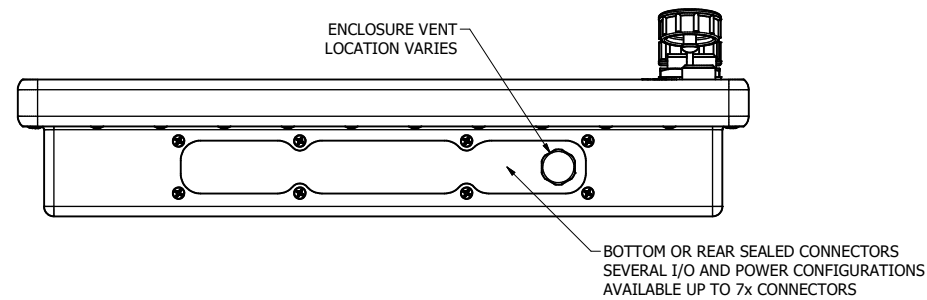
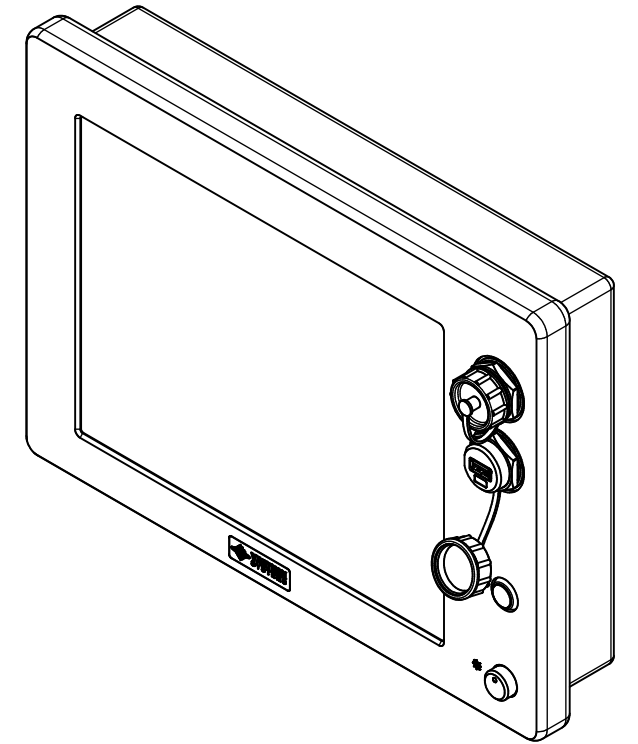
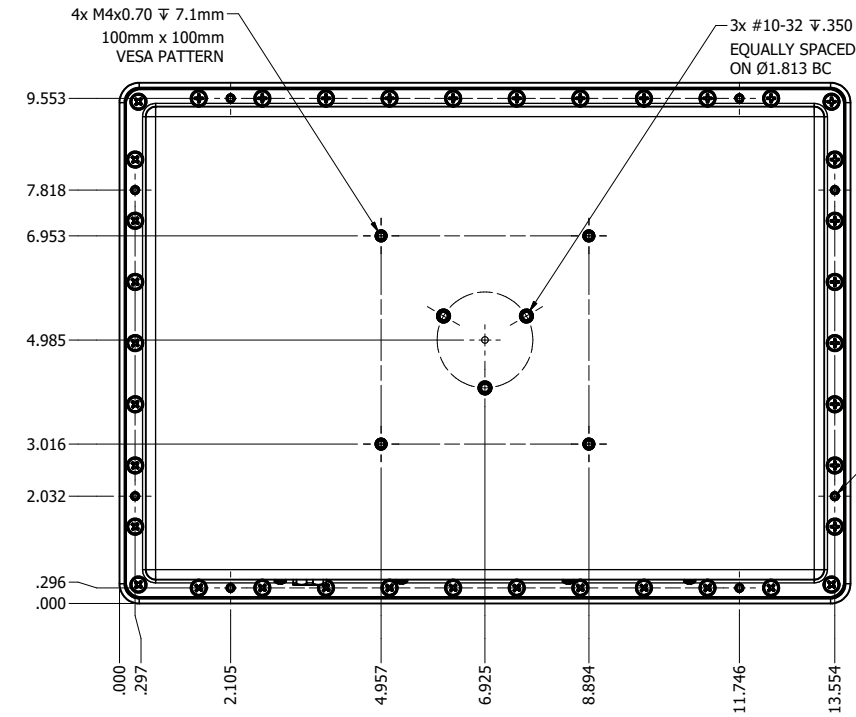
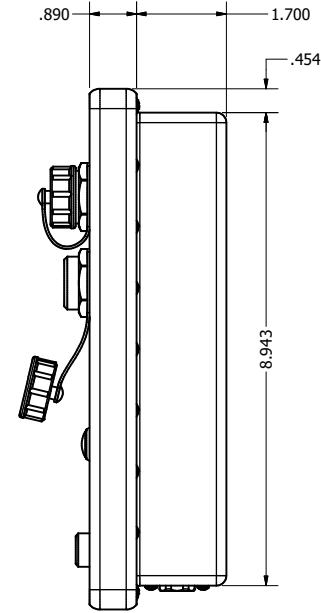
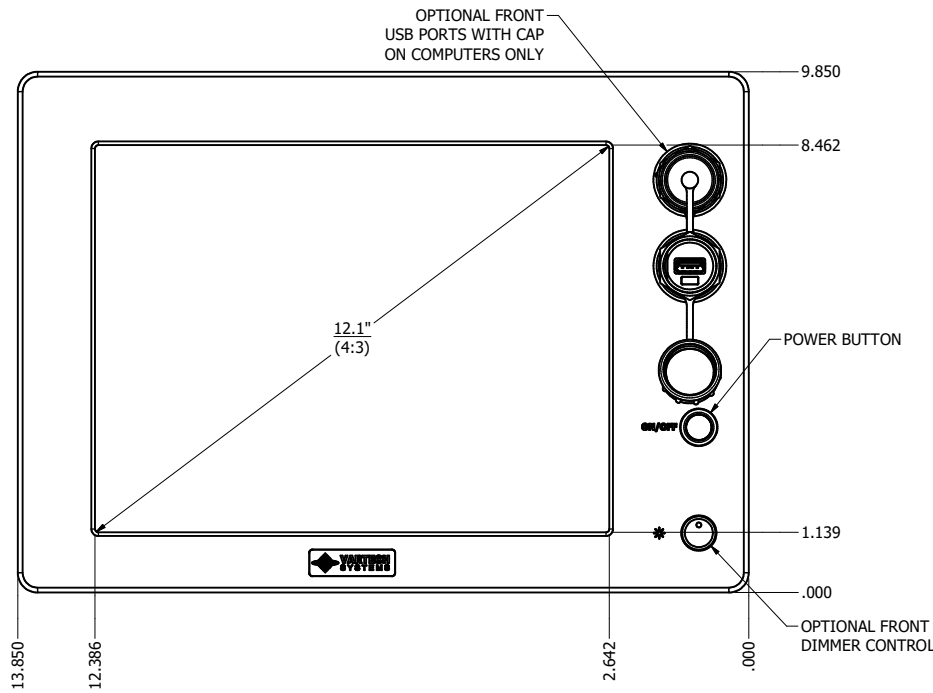


12.1" AW4 DIVERSE MOUNTING (Computer)

PRELIMINARY DRAWING  
DIMENSIONS ARE SUBJECT TO CHANGE

REVISION HISTORY			
REV	DATE	INITIALS	DESCRIPTION
0	4/12/2021	maw	INITIAL RELEASE

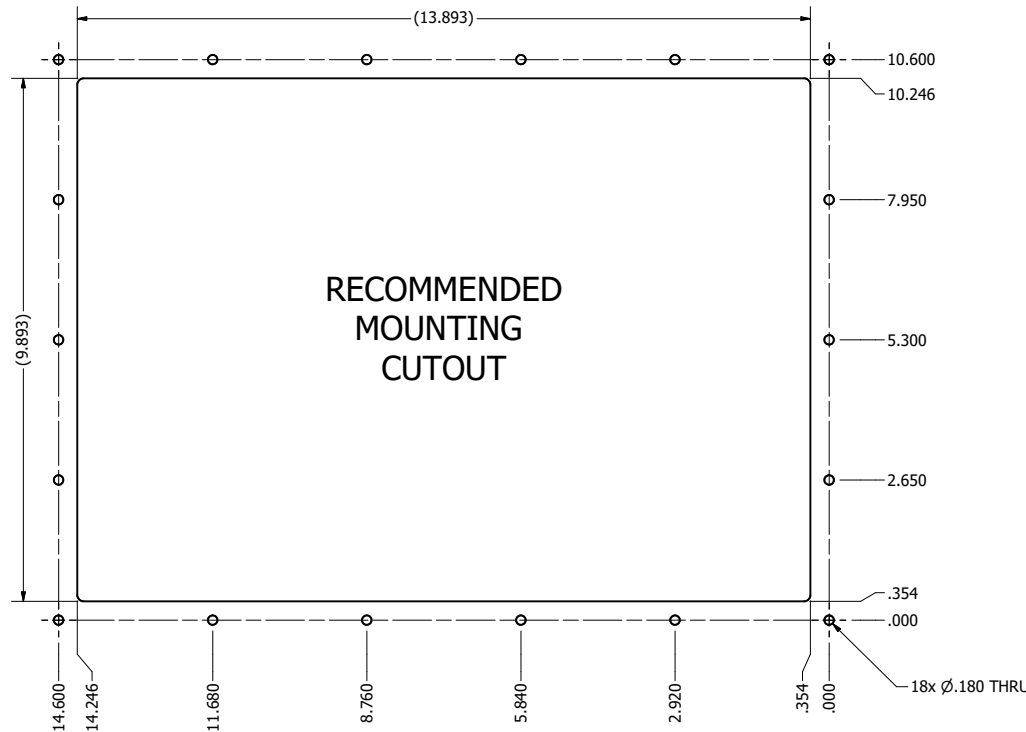
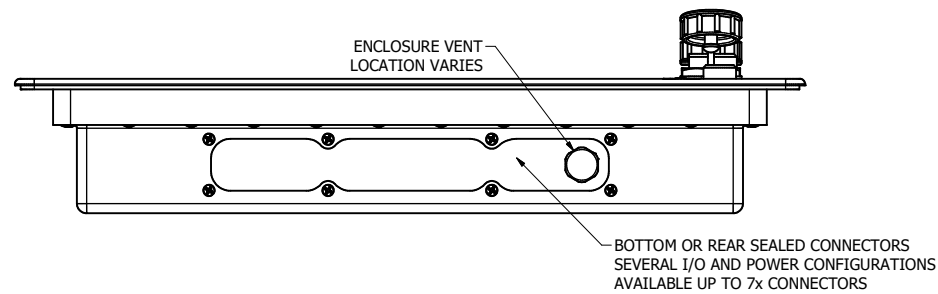
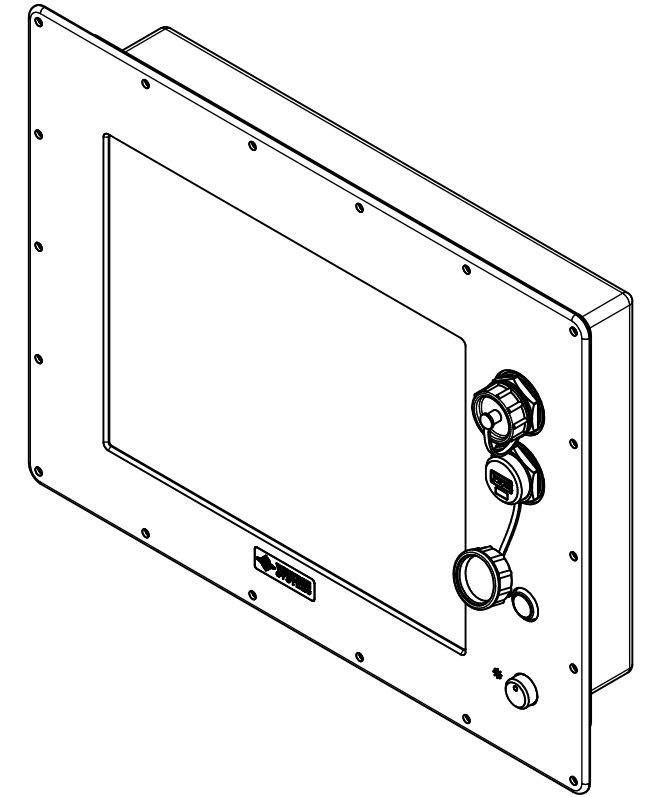
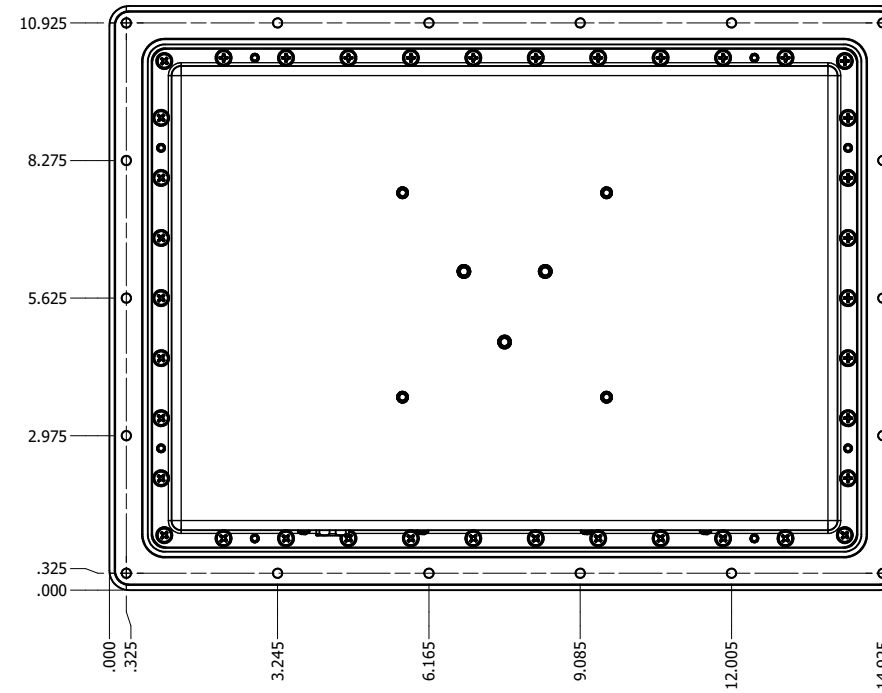
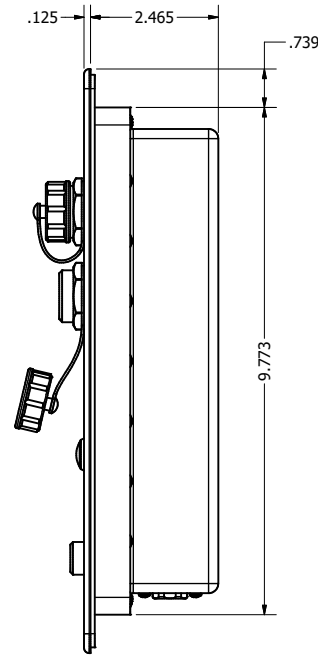
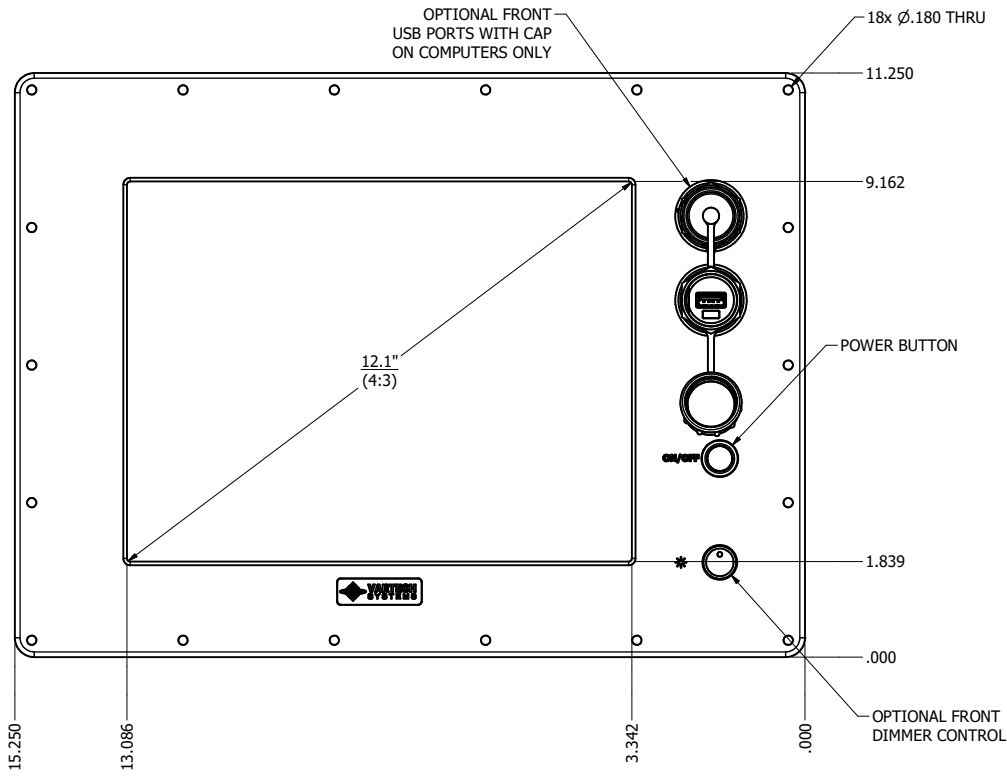
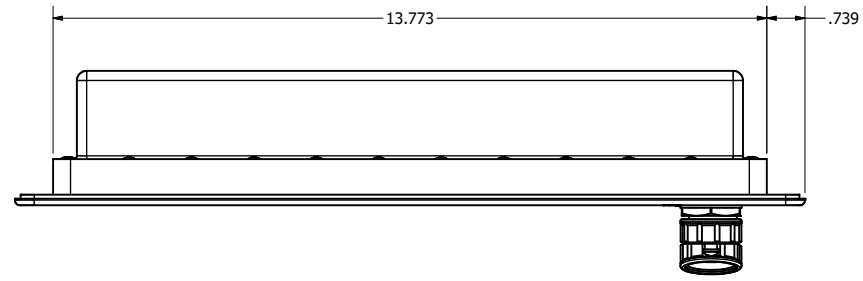


DRAWN BY: mwitham		4/22/2021		
USE WITH PRODUCT NUMBER				
TITLE				<b>OUTLINE DRAWING</b> ALL-WEATHER - GEN 4
MATERIAL & FINISH				
SHEET	SIZE	PART NUMBER	REV	
1 of 4	D	VTAW4C121aADA	0	
TOLERANCES: .XX=.01 .XXX=.005				

12.1" AW4 CONSOLE MOUNT EXTREME (Computer)

PRELIMINARY DRAWING  
DIMENSIONS ARE SUBJECT TO CHANGE

REVISION HISTORY			
REV	DATE	INITIALS	DESCRIPTION
0	4/12/2021	maw	INITIAL RELEASE



DRAWN BY: mwitham		4/12/2021	
USE WITH PRODUCT NUMBER			
TITLE			
MATERIAL & FINISH			
SHEET	SIZE	PART NUMBER	REV
3 OF 4	D	VTAW4C121aCXA	0
TOLERANCES: .XX=-.01 .XXX=-.005			



OUTLINE DRAWING  
ALL-WEATHER - GEN 4