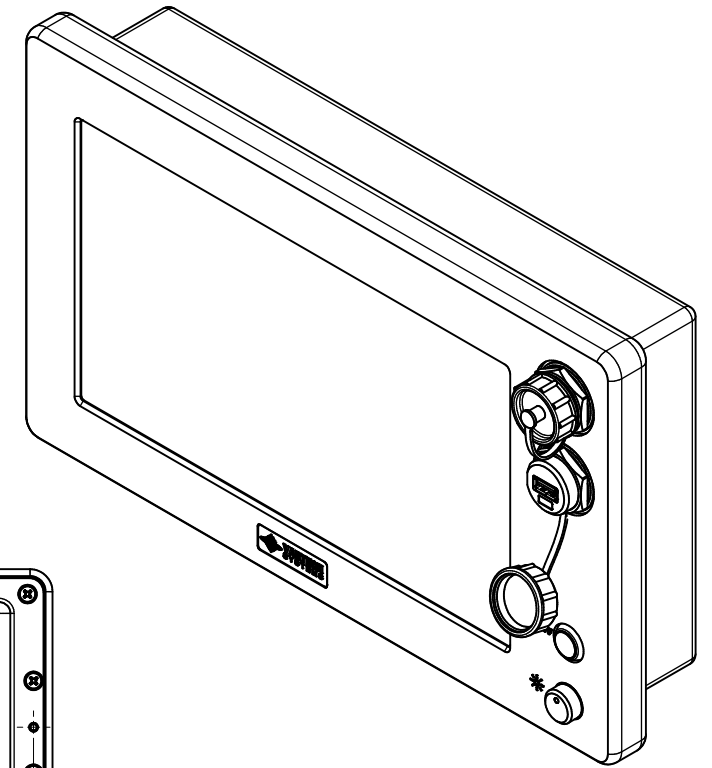
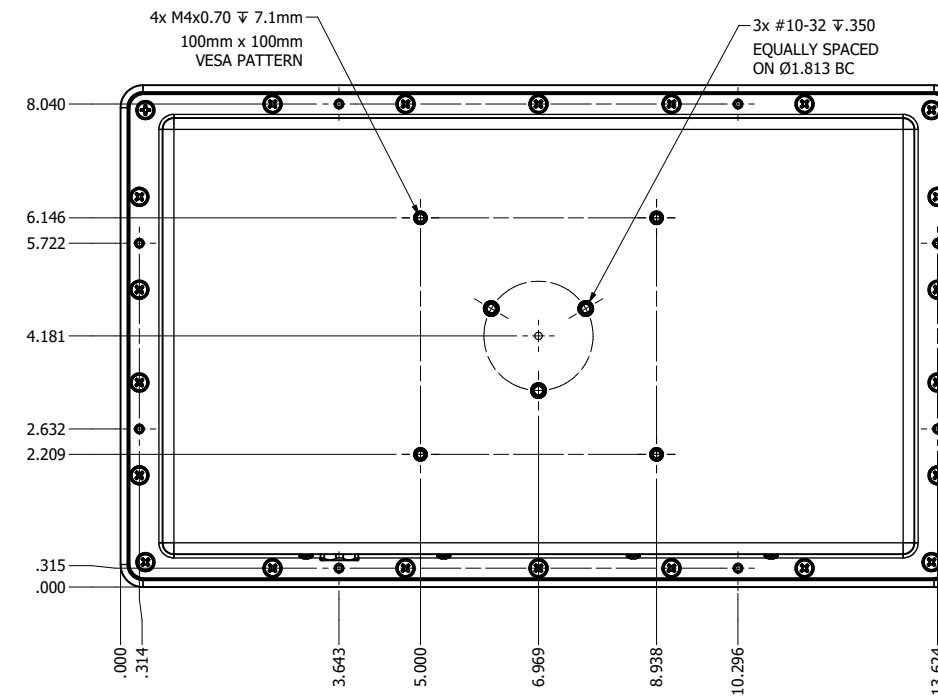
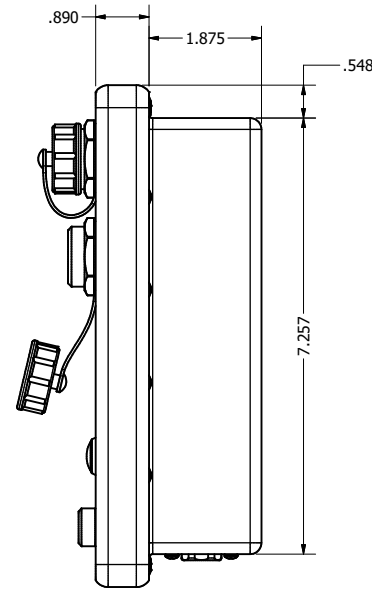
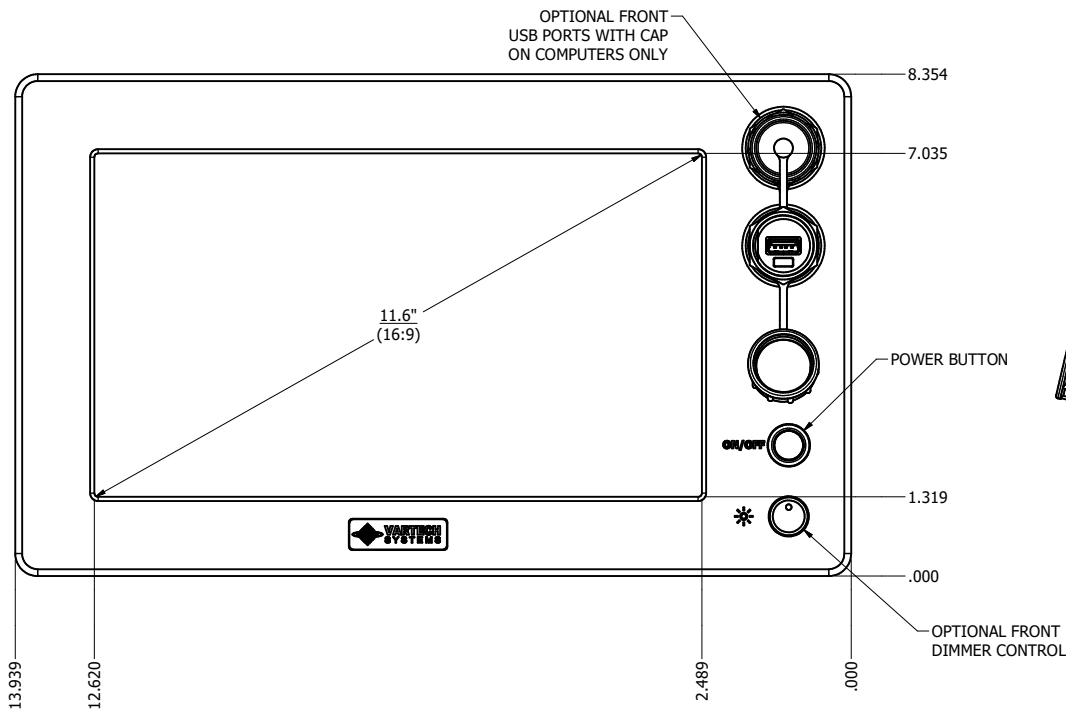
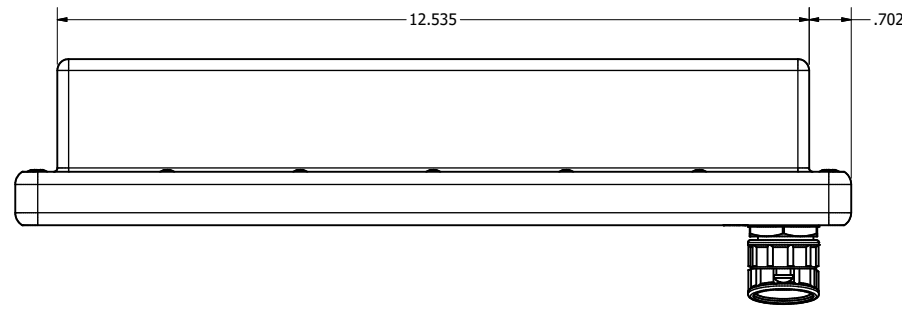


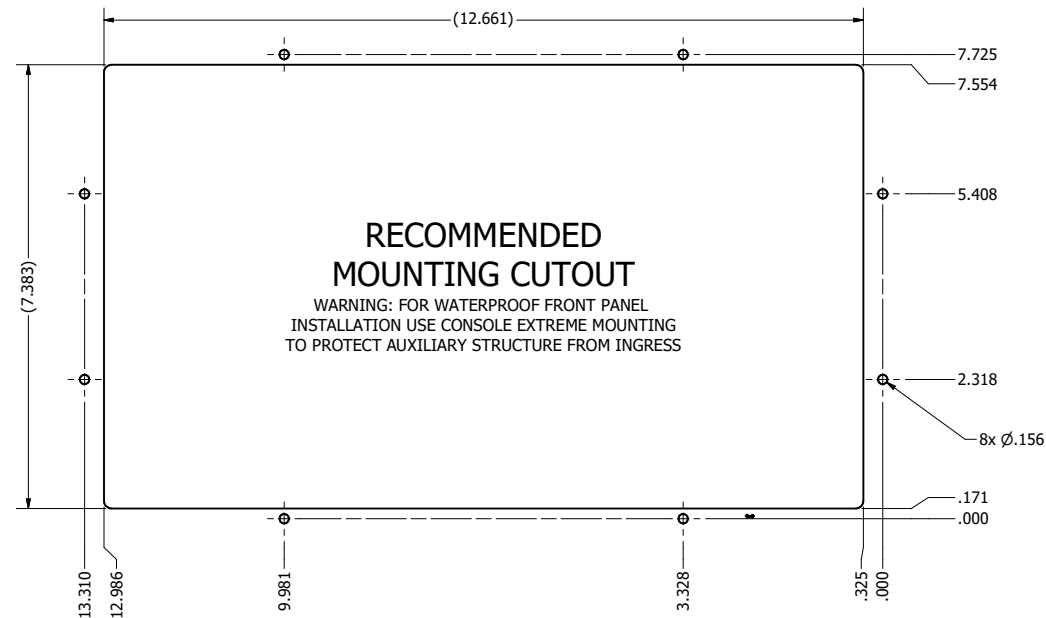
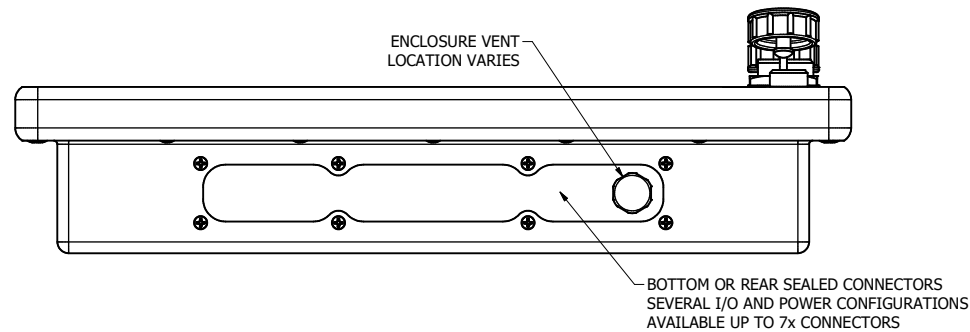
11.6" AW4 DIVERSE MOUNTING (Computer)

PRELIMINARY DRAWING
DIMENSIONS ARE SUBJECT TO CHANGE

REVISION HISTORY				
REV	DATE	INITIALS	DESCRIPTION	
0	4/12/2021	maw	INITIAL RELEASE	



8x #6-32 7.44
FOR ALL-WEATHER STYLE PANEL MOUNT



DRAWN BY: mwitham		4/12/2021	
USE WITH PRODUCT NUMBER			
MATERIAL & FINISH			
TOLERANCES: .XX=.01 .XXX=.005			

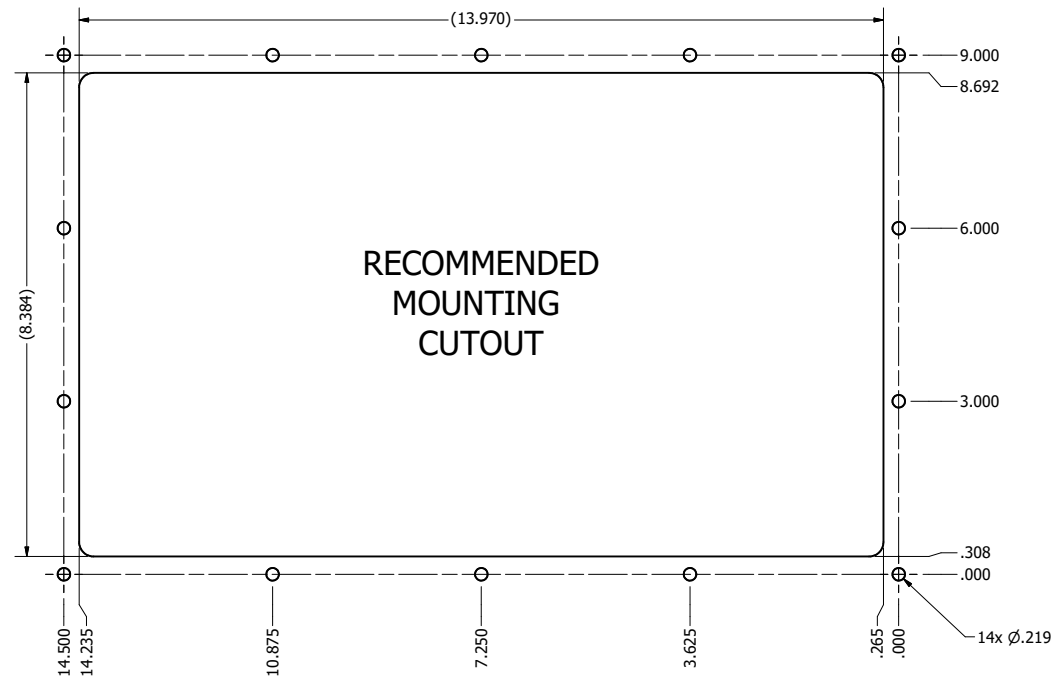
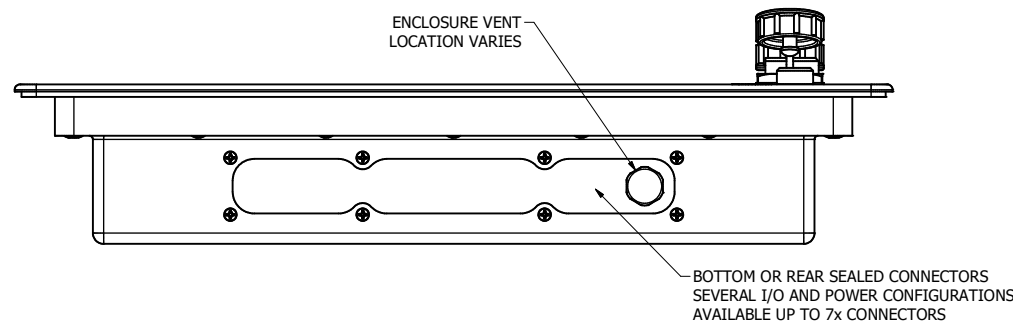
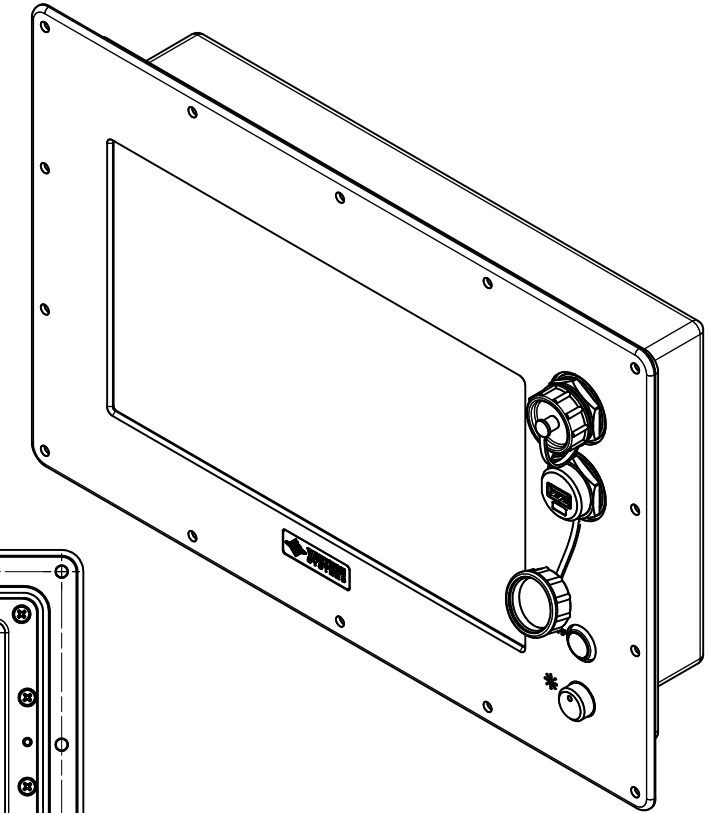
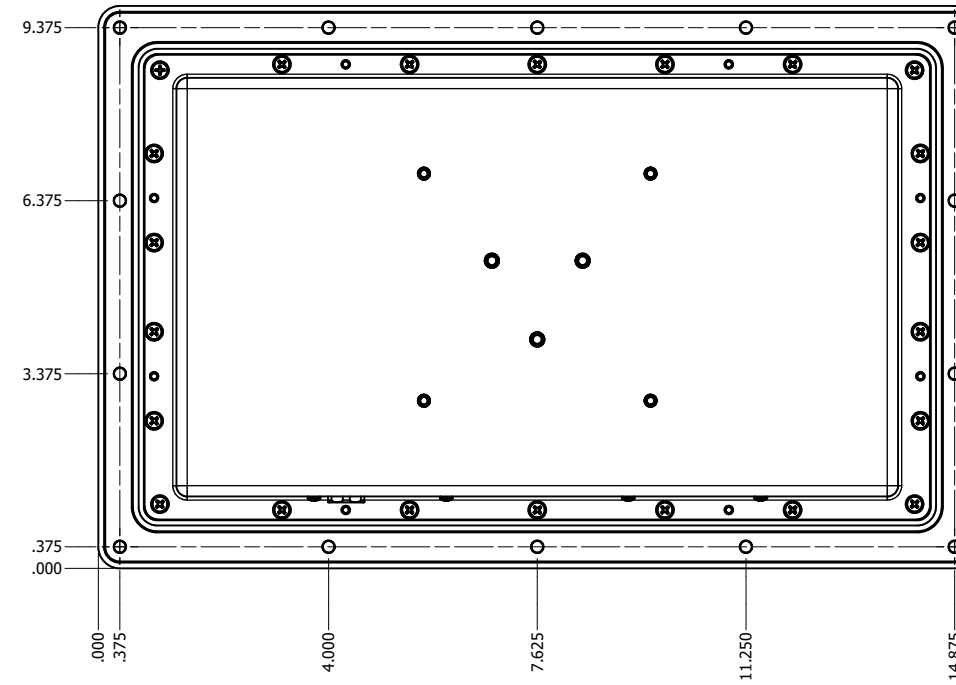
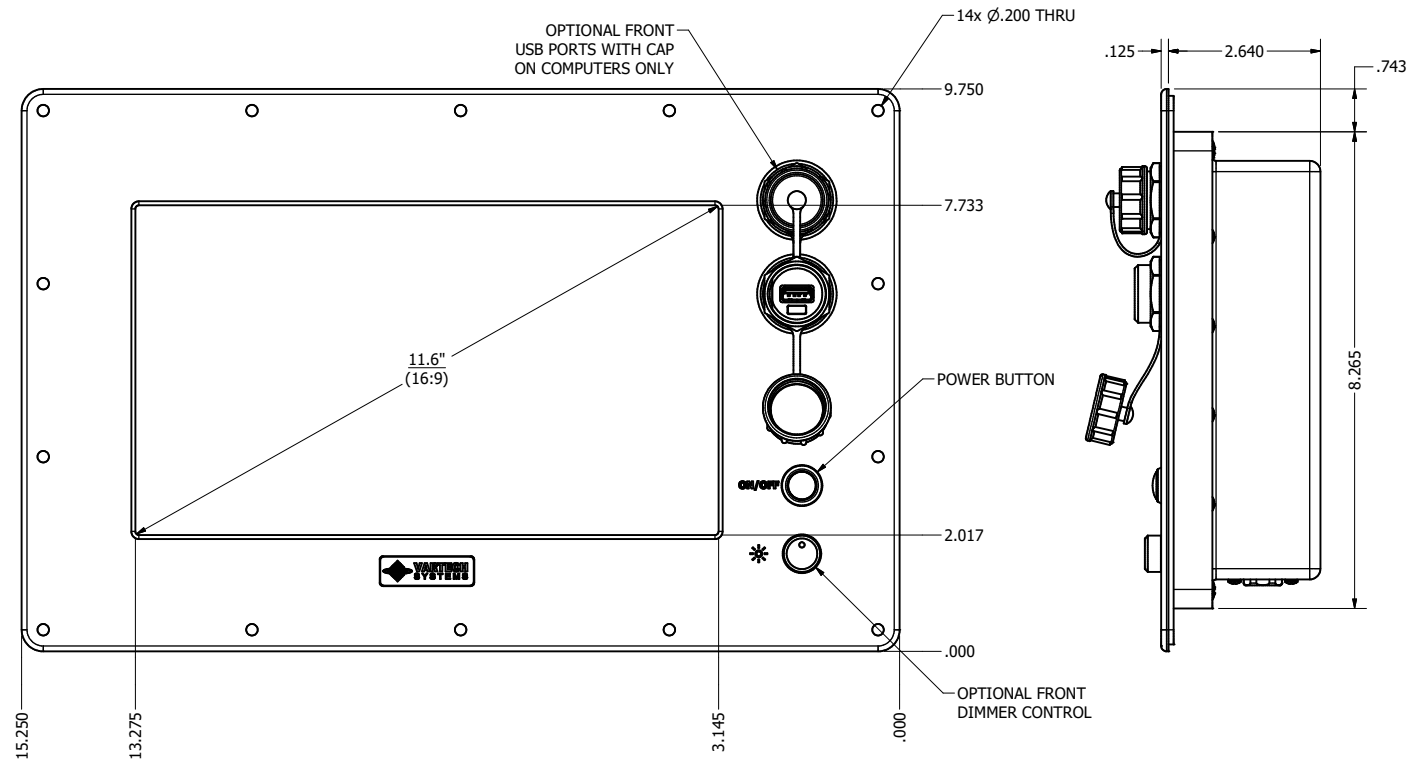
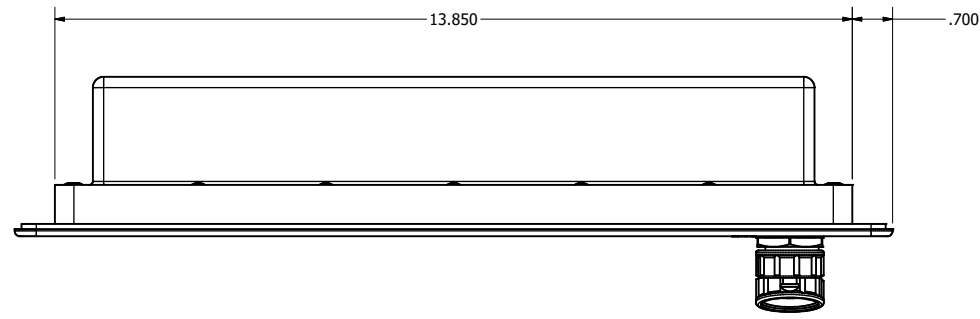


TITLE			
OUTLINE DRAWING ALL-WEATHER - GEN 4			
SHEET	SIZE	PART NUMBER	REV
1 OF 4	D	VTAW4C116bADA	0

11.6" AW4 CONSOLE MOUNT EXTREME (Computer)

PRELIMINARY DRAWING
DIMENSIONS ARE SUBJECT TO CHANGE

REVISION HISTORY			
REV	DATE	INITIALS	DESCRIPTION
0	4/12/2021	maw	INITIAL RELEASE



DRAWN BY: mwitham		4/12/2021	
USE WITH PRODUCT NUMBER			
MATERIAL & FINISH			
TOLERANCES: .XX=.01 .XXX=.005			

TITLE			
<p align="center">OUTLINE DRAWING ALL-WEATHER - GEN 4</p>			
SHEET	SIZE	PART NUMBER	REV
3 OF 4	D	VTAW4C116bCXA	0