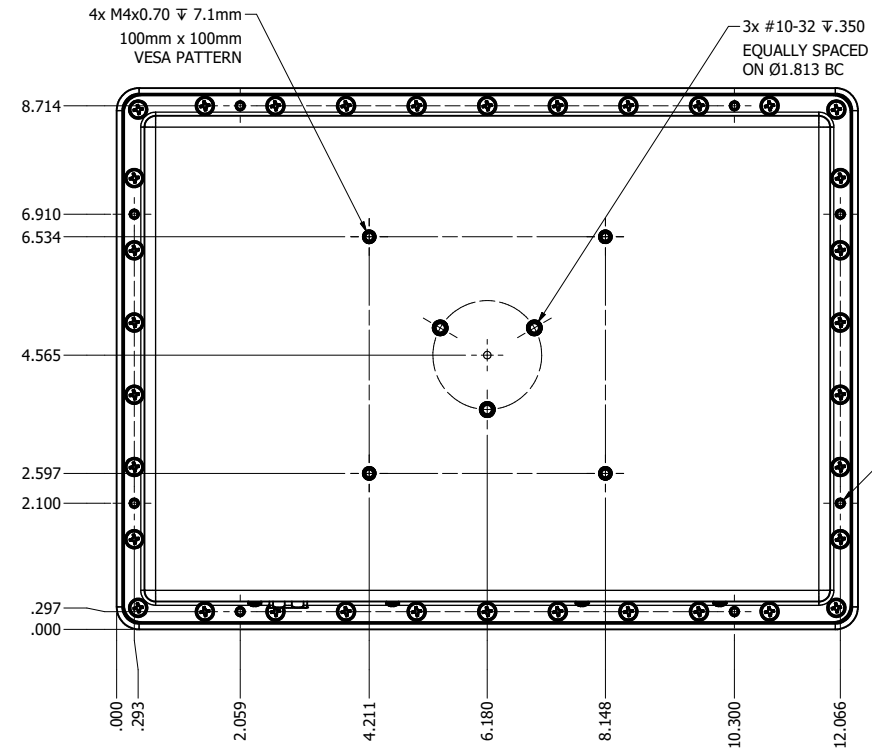
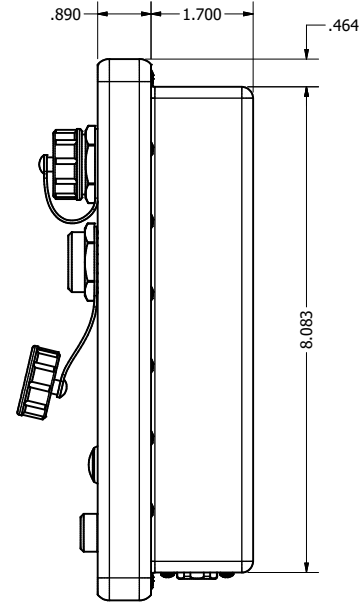
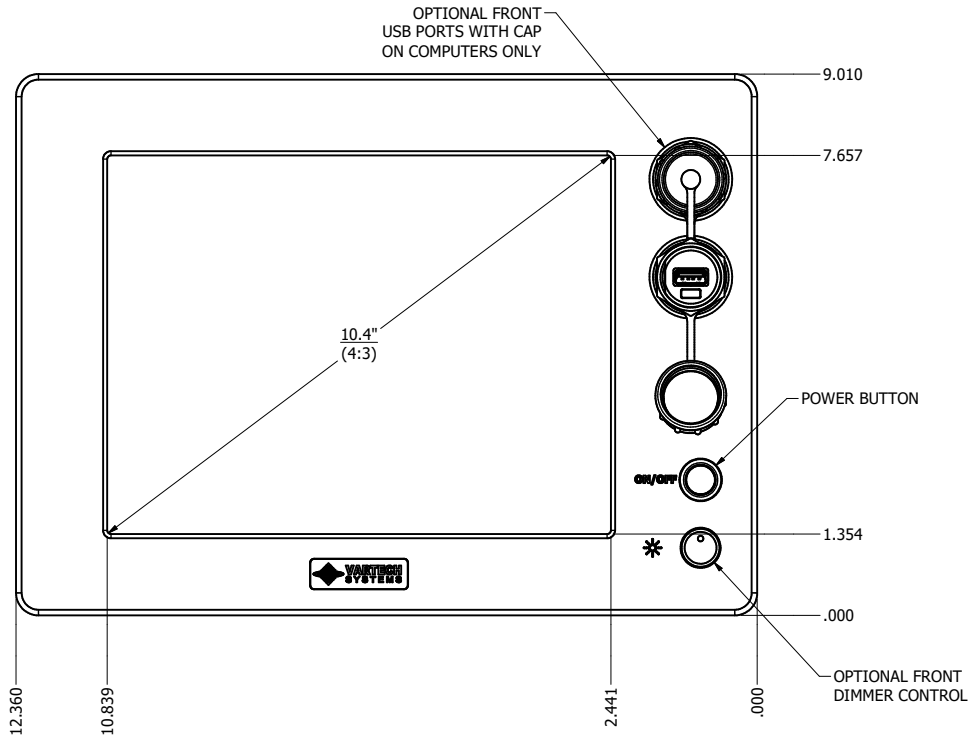
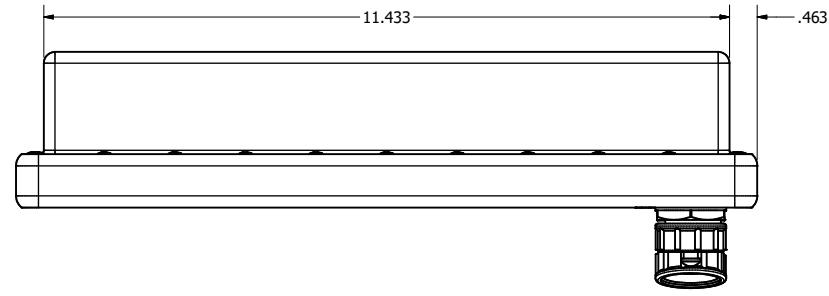


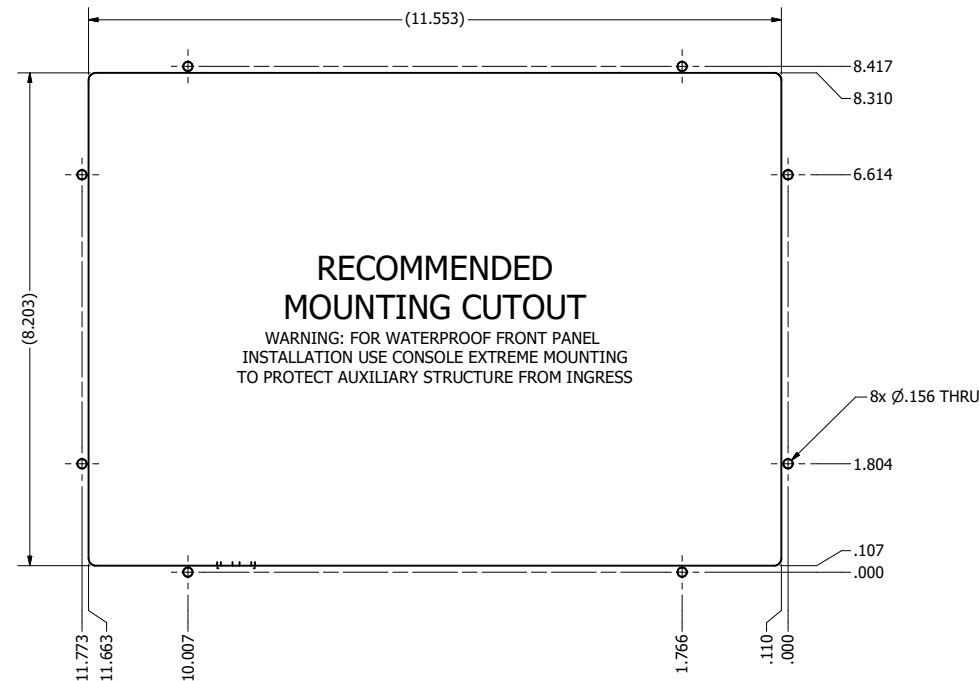
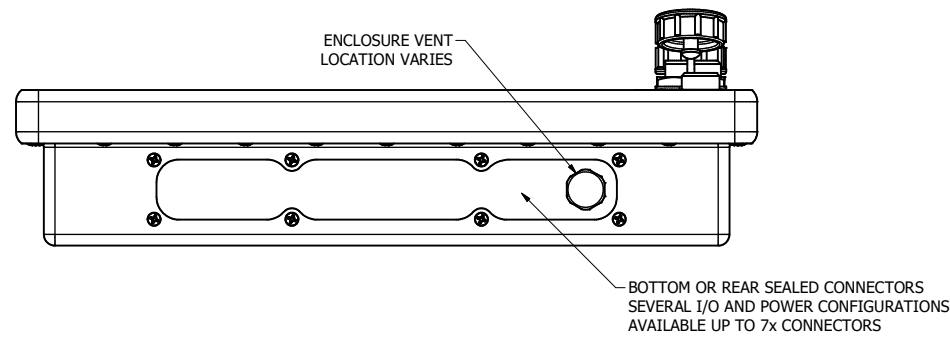
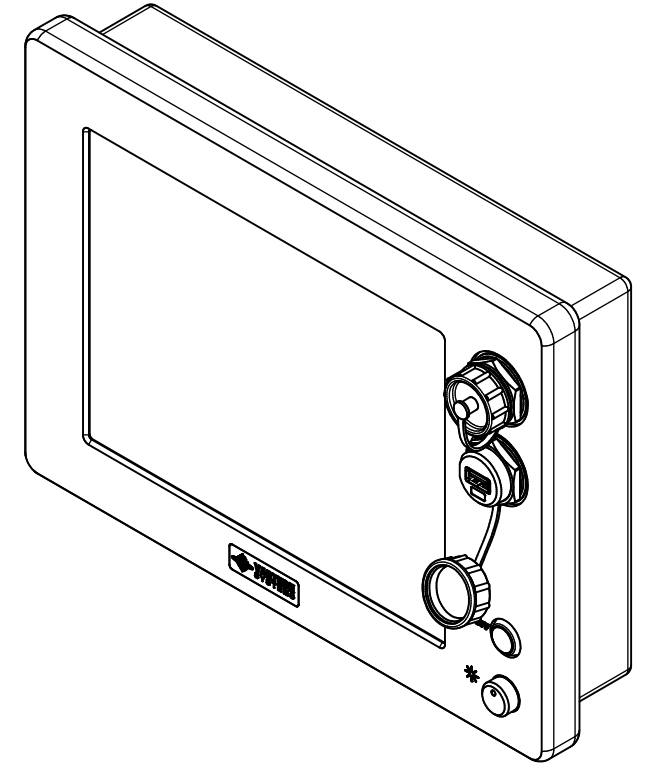
10.4" AW4 DIVERSE MOUNTING (Computer)

PRELIMINARY DRAWING
DIMENSIONS ARE SUBJECT TO CHANGE

REVISION HISTORY			
REV	DATE	INITIALS	DESCRIPTION
0	4/12/2021	maw	INITIAL RELEASE



8x #6-32 7.44
FOR ALL-WEATHER STYLE PANEL MOUNT

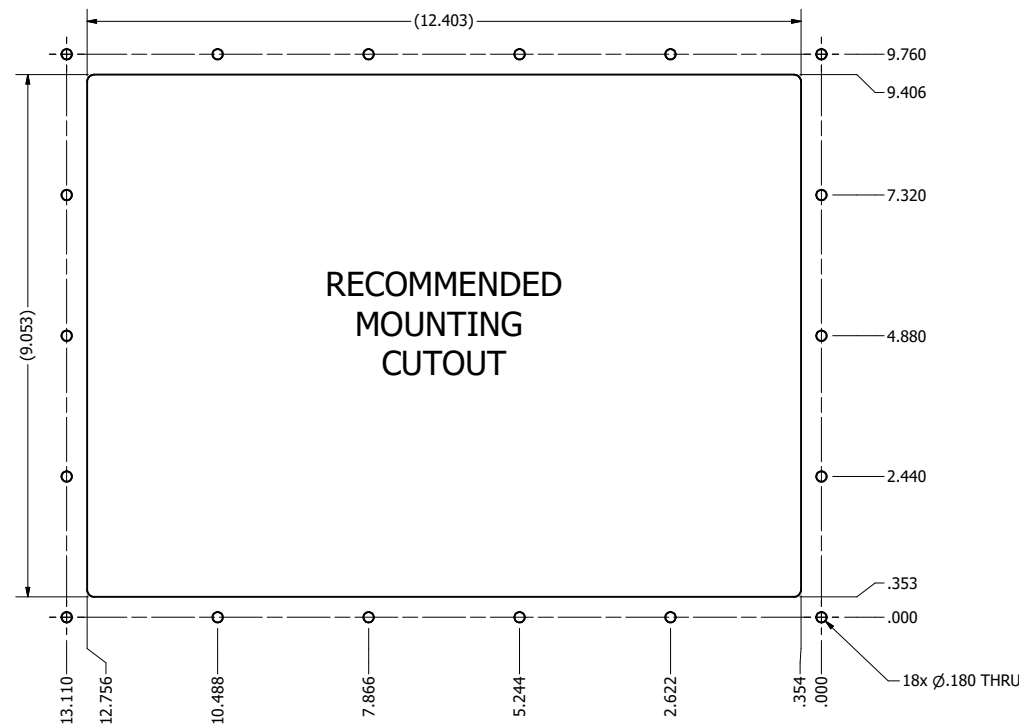
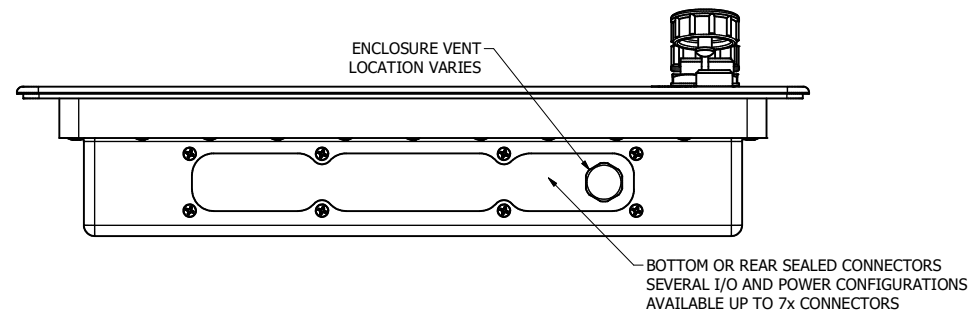
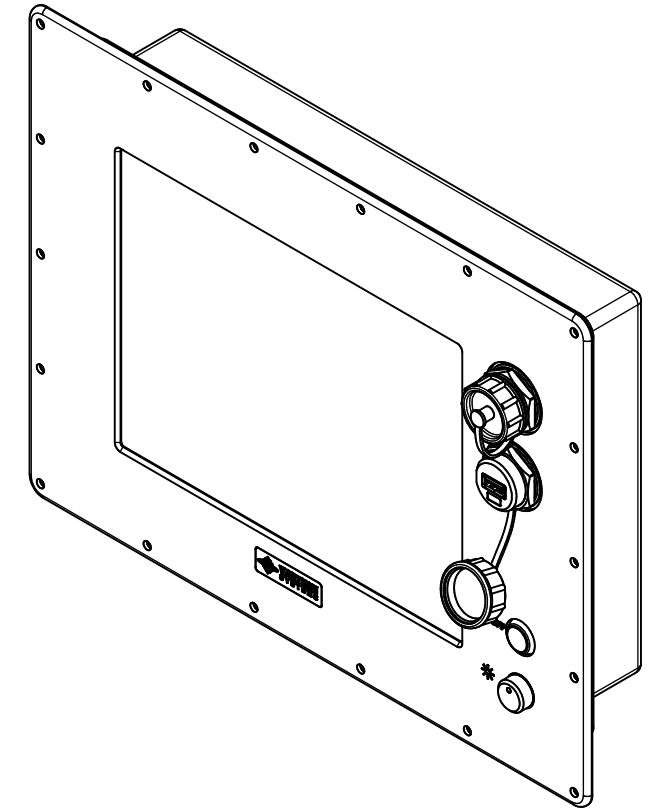
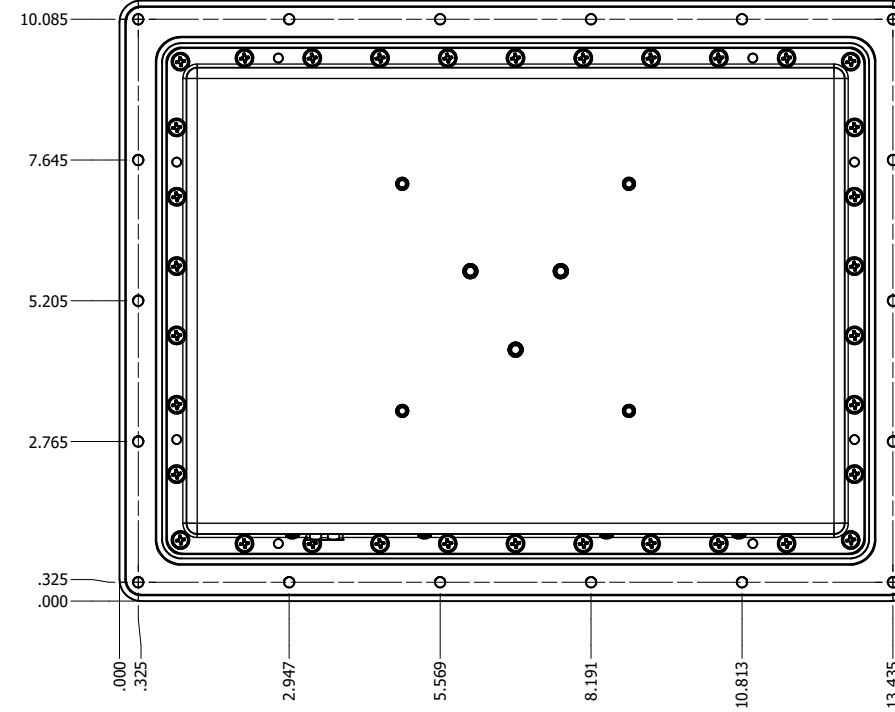
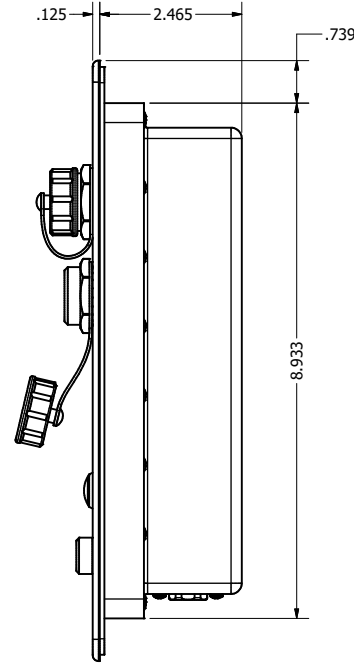
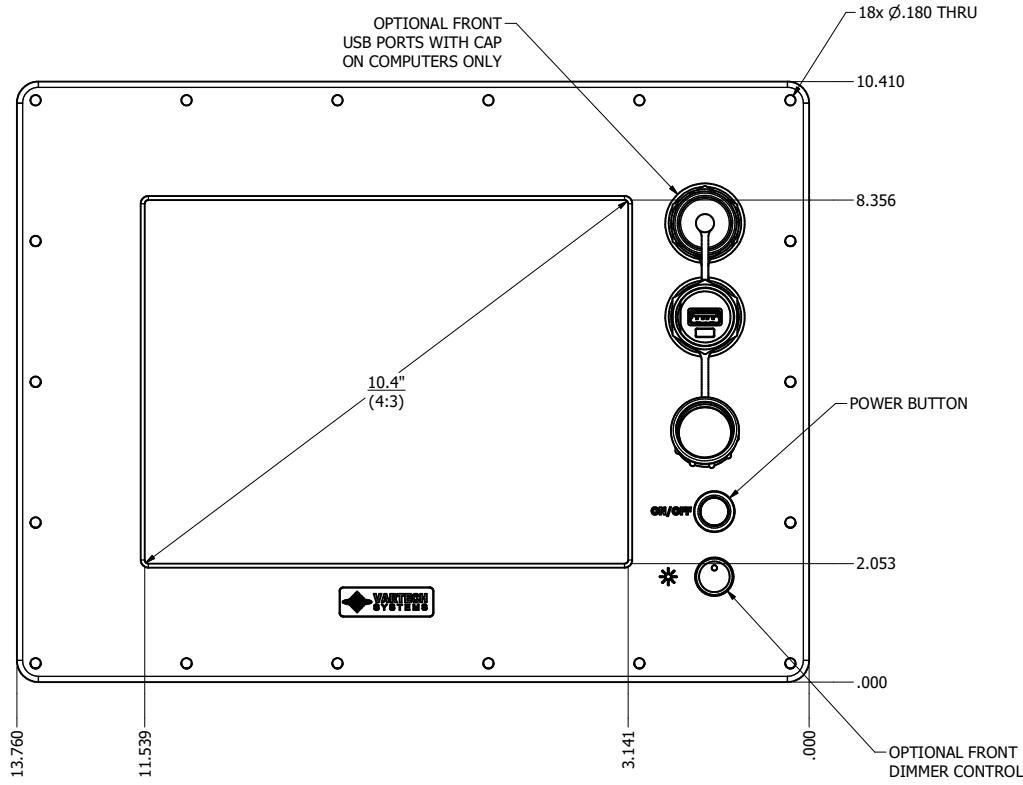
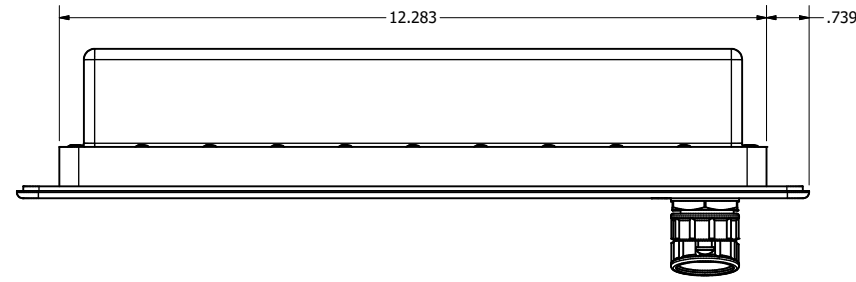


DRAWN BY: mwitham		4/27/2021		
USE WITH PRODUCT NUMBER				
MATERIAL & FINISH				TITLE
				OUTLINE DRAWING ALL-WEATHER - GEN 4
SHEET	SIZE	PART NUMBER	REV	
1 of 4	D	VTAW4C104aADA	0	
TOLERANCES: .XX=.01 .XXX=.005				

10.4" AW4 CONSOLE MOUNT EXTREME (Computer)

PRELIMINARY DRAWING
DIMENSIONS ARE SUBJECT TO CHANGE

REVISION HISTORY			
REV	DATE	INITIALS	DESCRIPTION
0	4/12/2021	maw	INITIAL RELEASE



DRAWN BY: mwitham		4/27/2021	
USE WITH PRODUCT NUMBER			
MATERIAL & FINISH			
TOLERANCES: .XX=.01 .XXX=.005			

 VARTECH SYSTEMS INC.			
OUTLINE DRAWING ALL-WEATHER - GEN 4			
SHEET	SIZE	PART NUMBER	REV
3 of 4	D	VTAW4C104aCXA	0