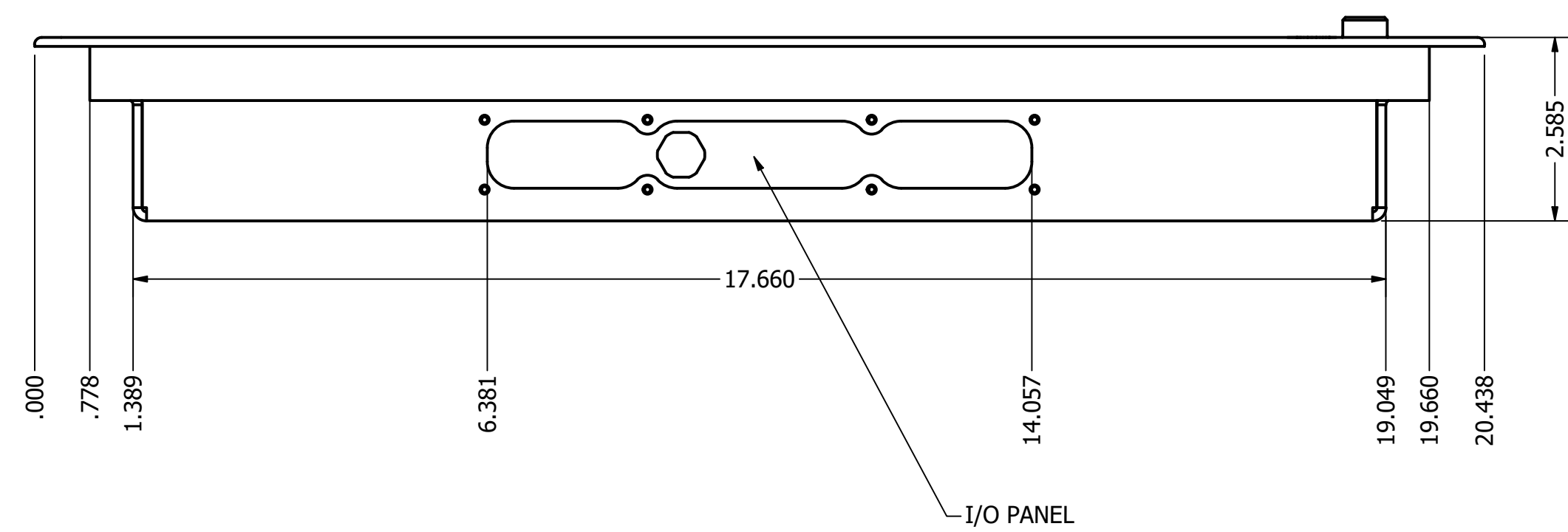
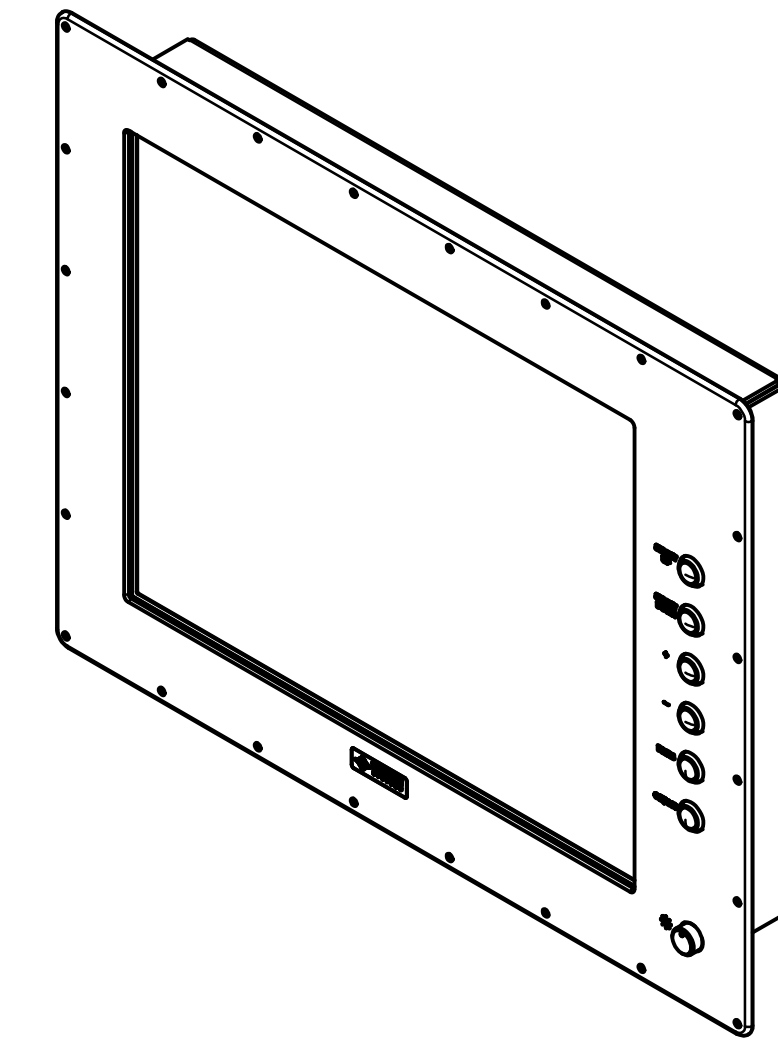
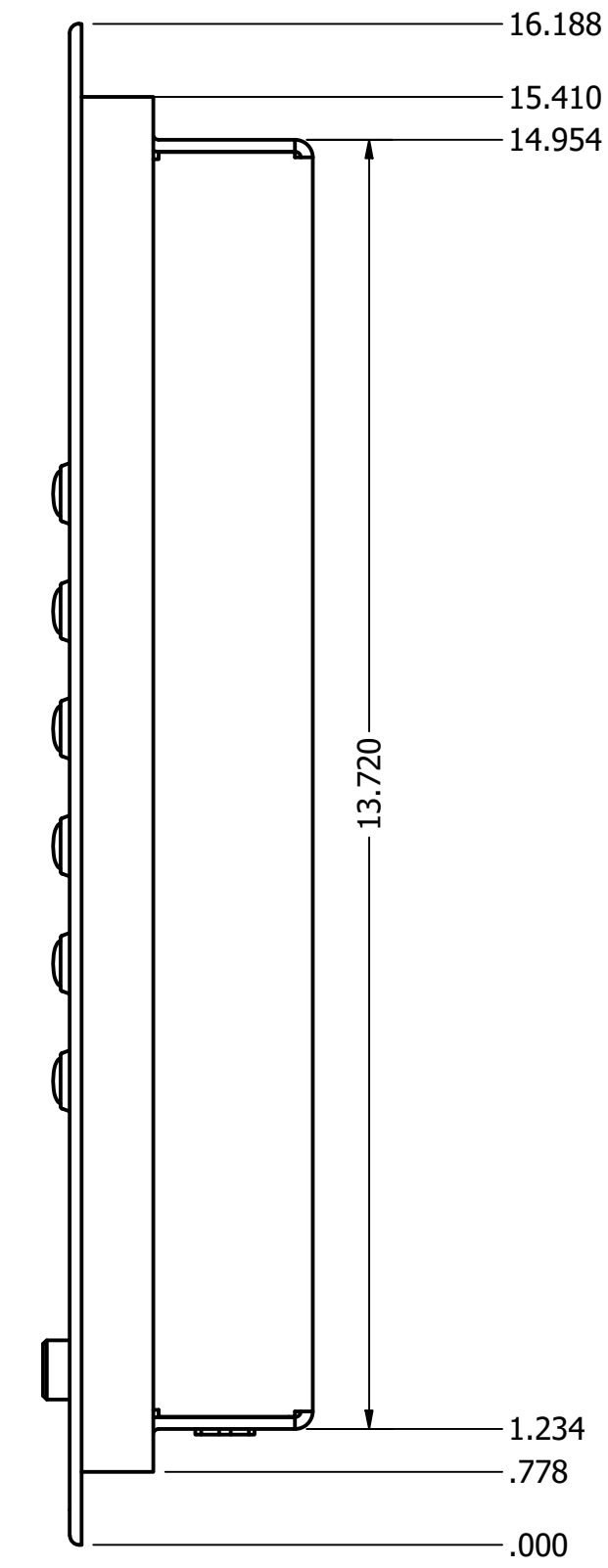
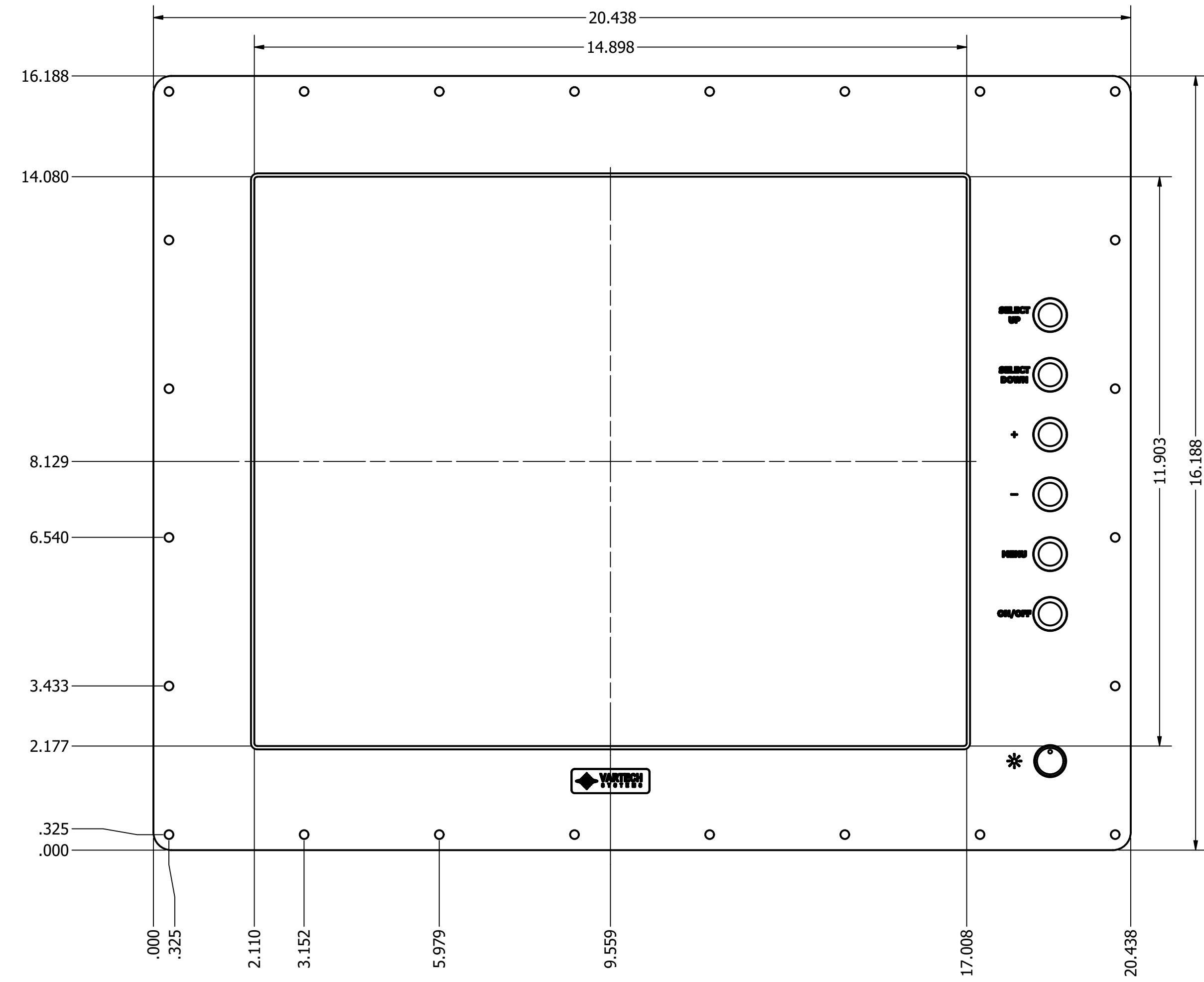


REVISION HISTORY			
REV	DATE	INITIAL	DESCRIPTION
0	12/5/18	TAK	INITIAL RELEASE



DRAWN	TAK	12/5/2018	VARTECH SYSTEMS			
CHECKED						
QA			DISPLAY, BOTTOM EXIT CONNECTORS, CONSOLE MOUNT EXTREME ALL WEATHERVT190XB4-FM			
MFG						
APPROVED			SIZE	TOLERANCES:	DWG NO	REV
USED ON	MATERIAL:		D	.XX = .01 .XXX = .005	555-0002-003	0
APPLICATION	Generic		FINISH:			