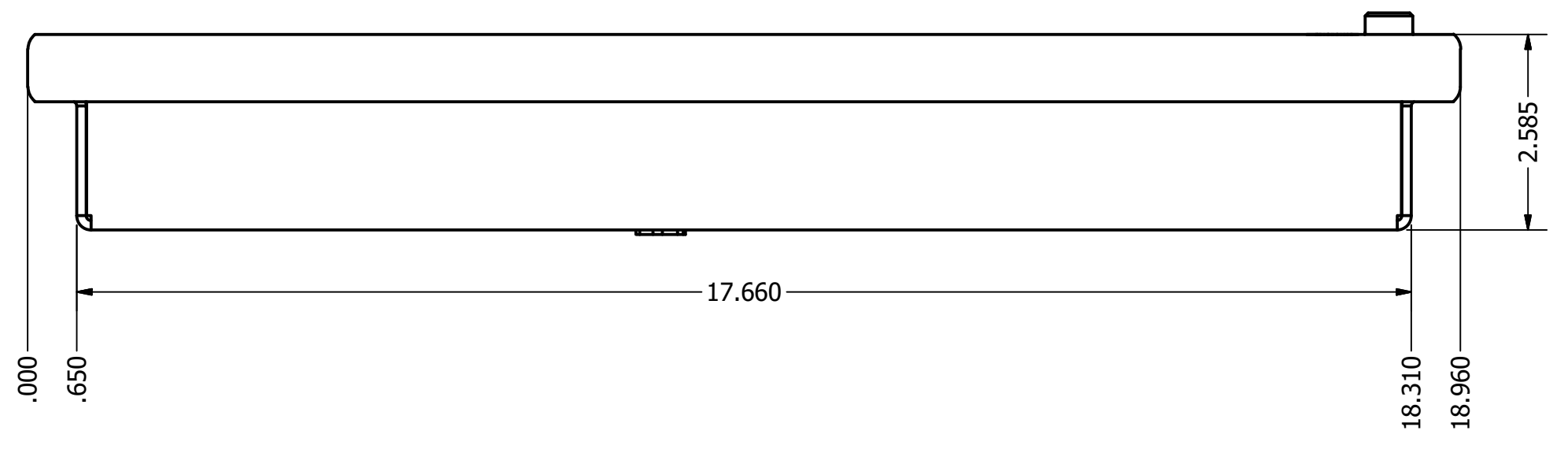
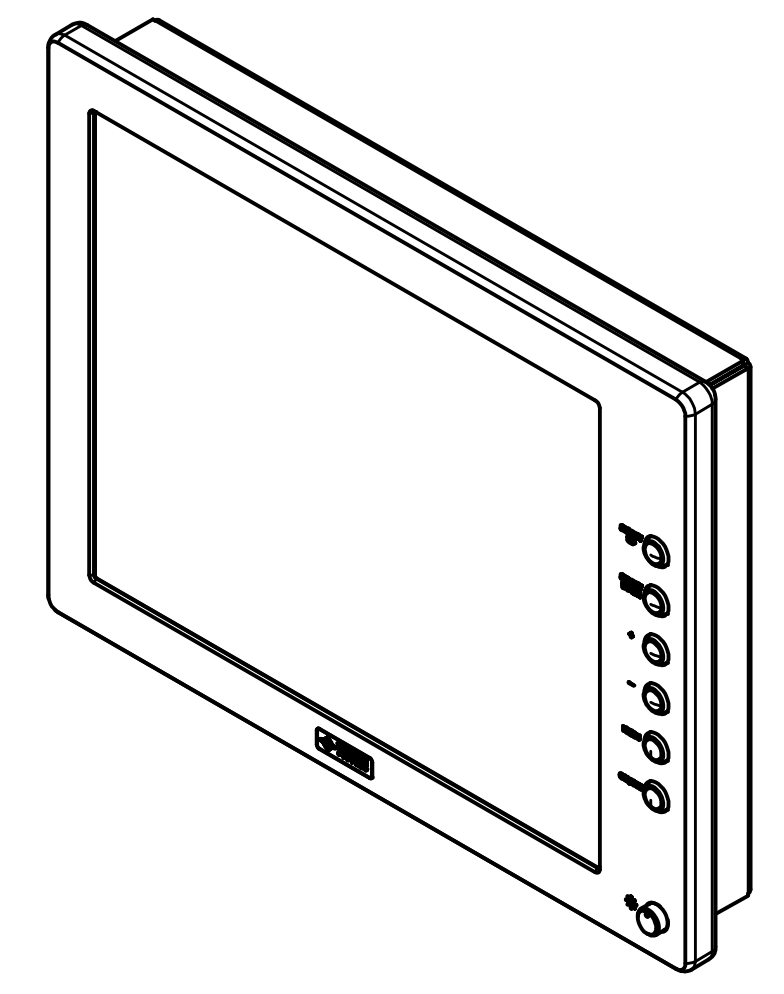
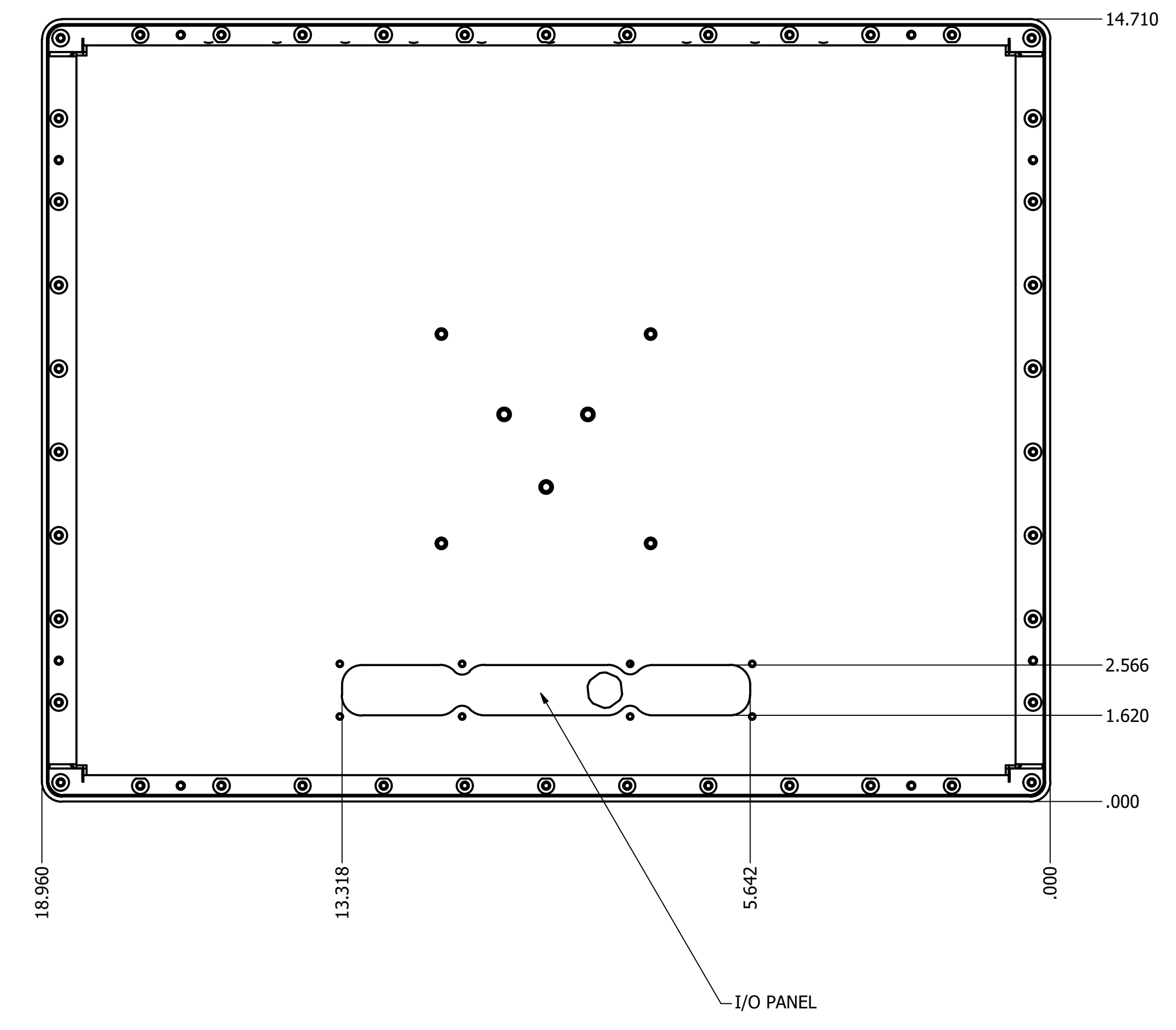
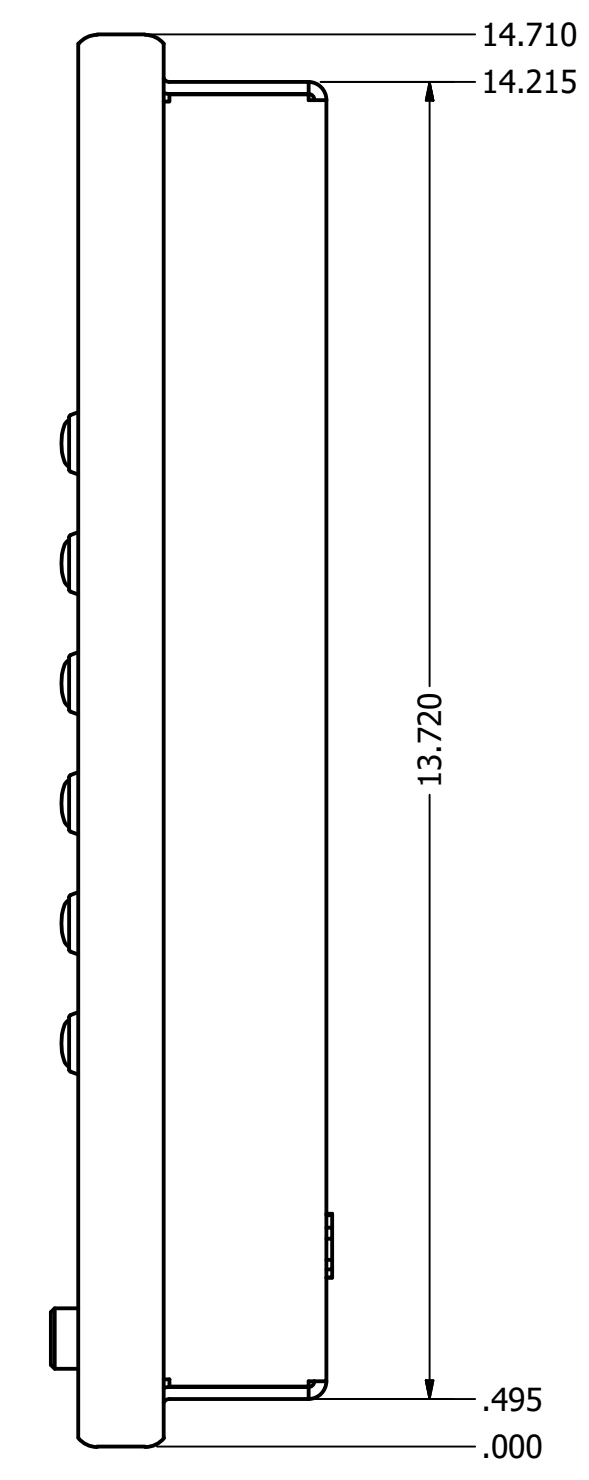
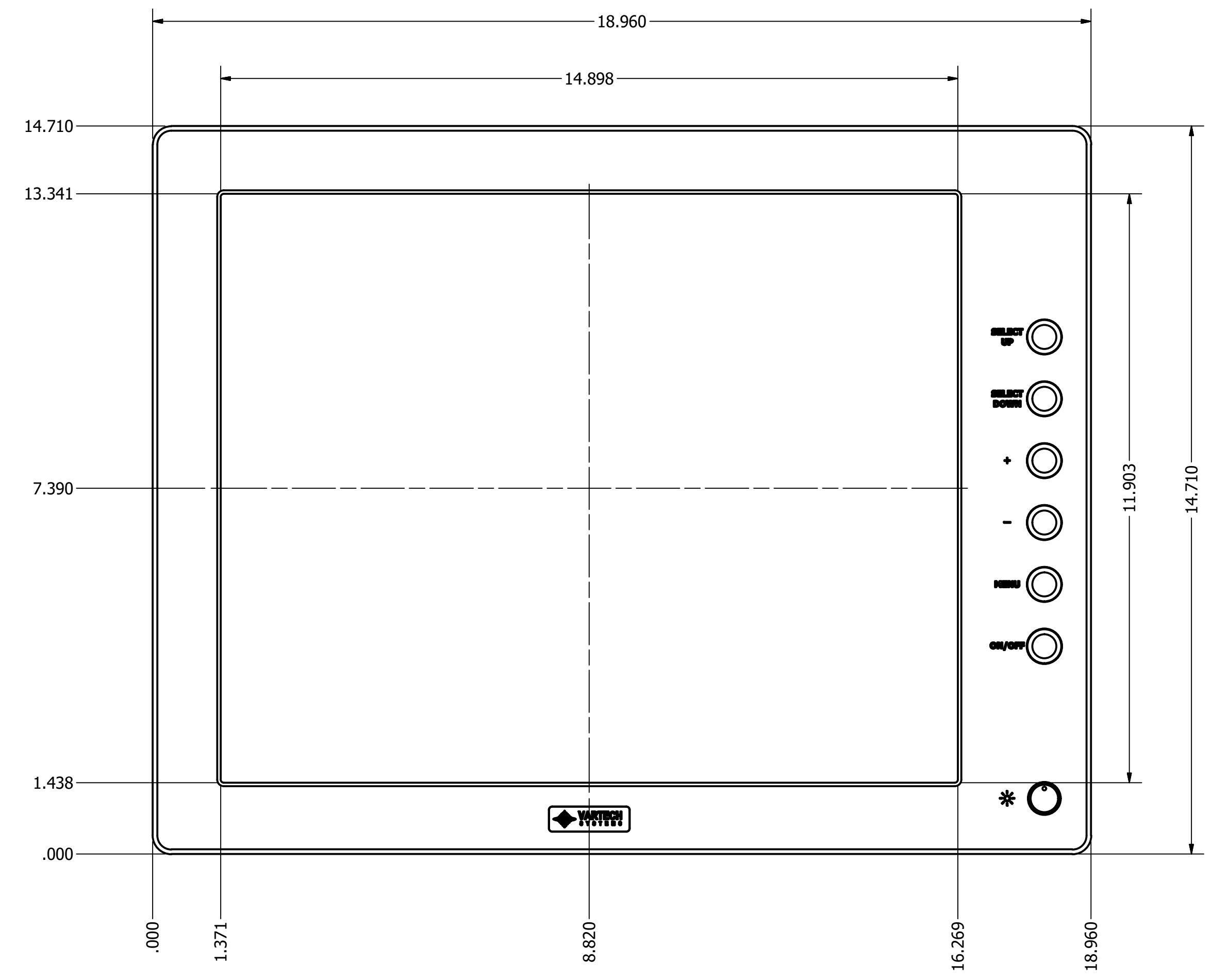


| REVISION HISTORY | | | |
|------------------|------------|---------|-----------------|
| REV | DATE | INITIAL | DESCRIPTION |
| 0 | 11/27/2018 | TAK | INITIAL RELEASE |



| | | | | | |
|-------------|-------------------|------------|-------------------------------|------------------------------------|--------------|
| DRAWN | TAK | 11/27/2018 | | | |
| CHECKED | | | | | |
| QA | | | | | |
| MFG | | | | | |
| APPROVED | | | TITLE | | |
| USED ON | | | DISPLAY, REAR EXIT CONNECTORS | | |
| APPLICATION | MATERIAL: Generic | | SIZE D | TOLERANCES: .XX = .01, .XXX = .005 | |
| | | | DWG NO 555-0002-002 | REV 0 | |
| | | | | FINISH: | SHEET 1 OF 1 |