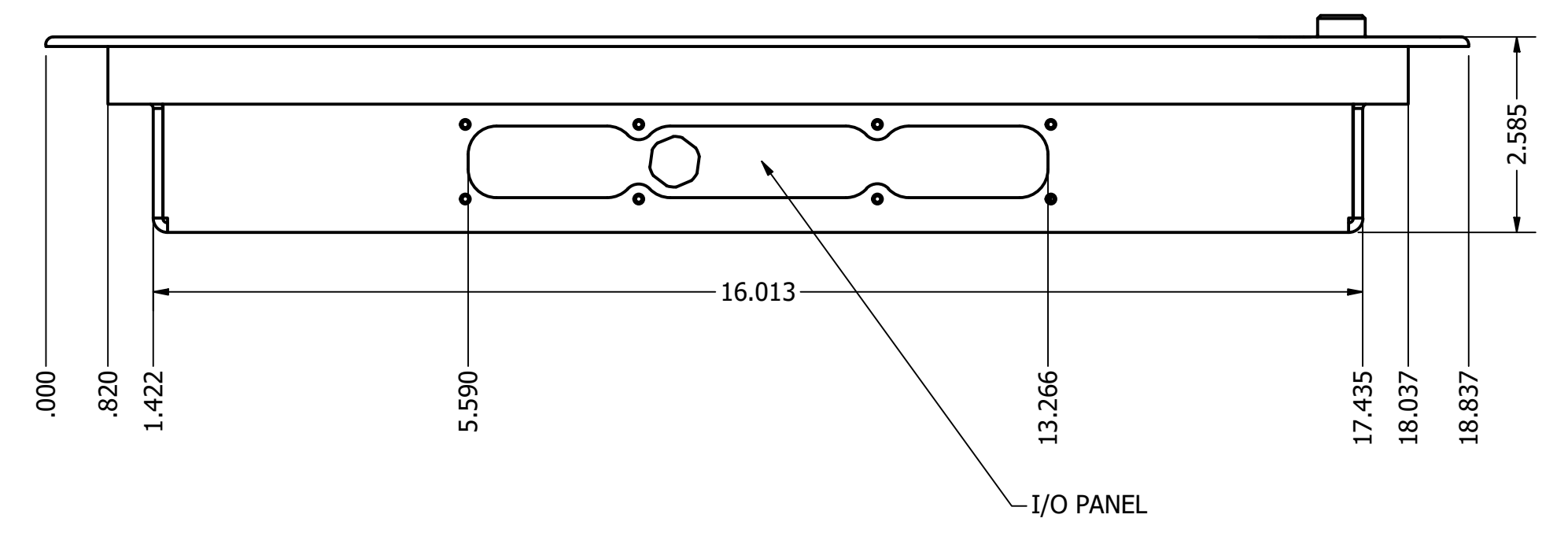
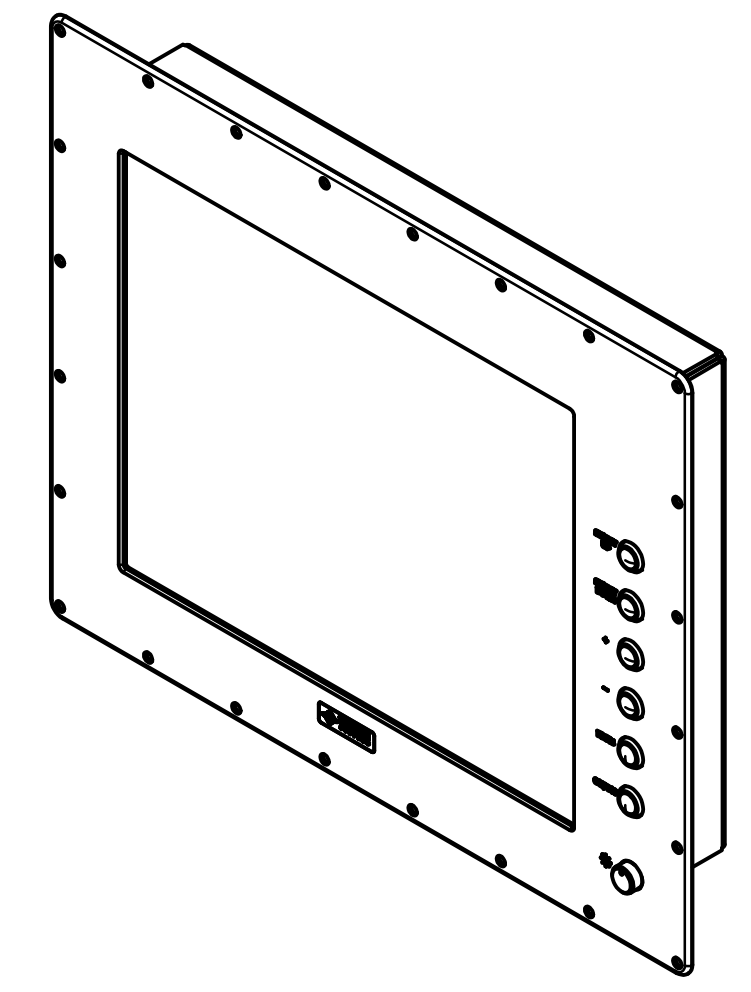
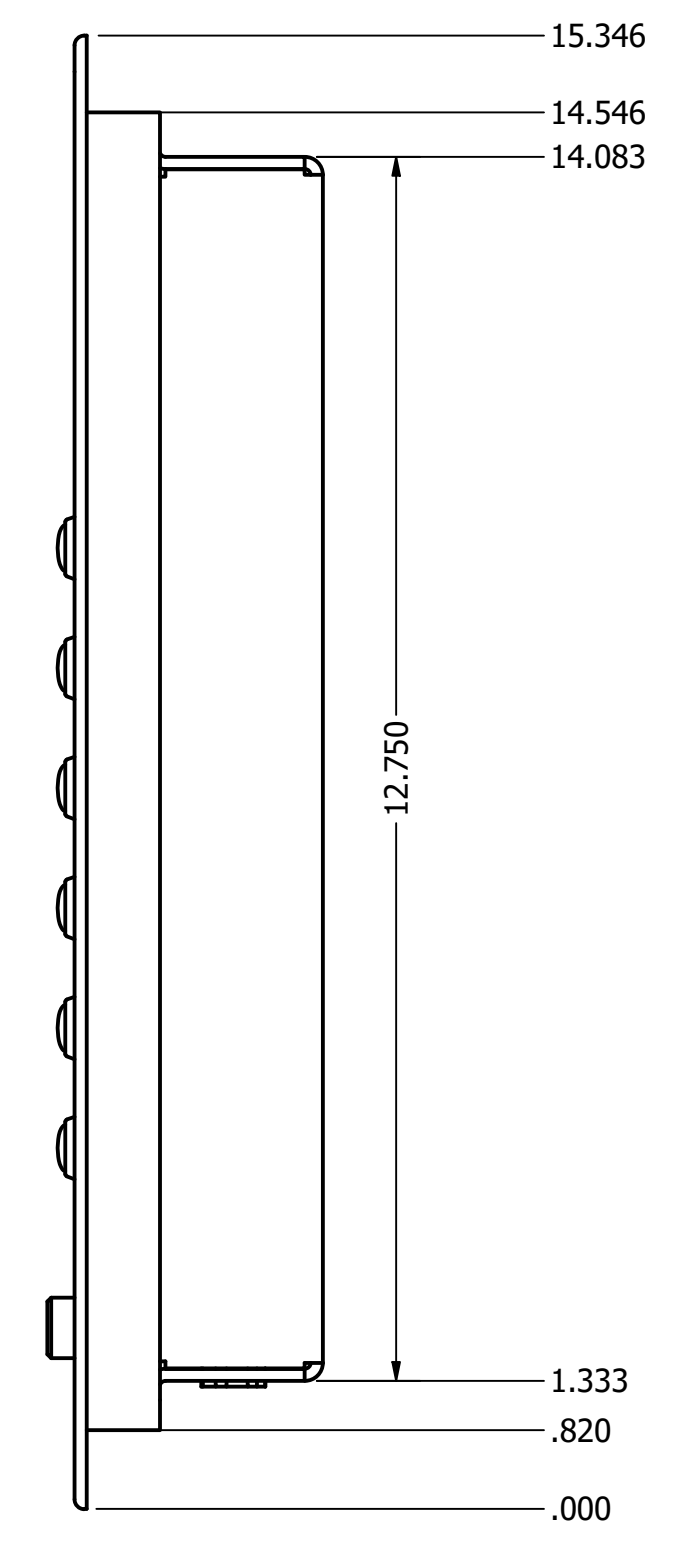
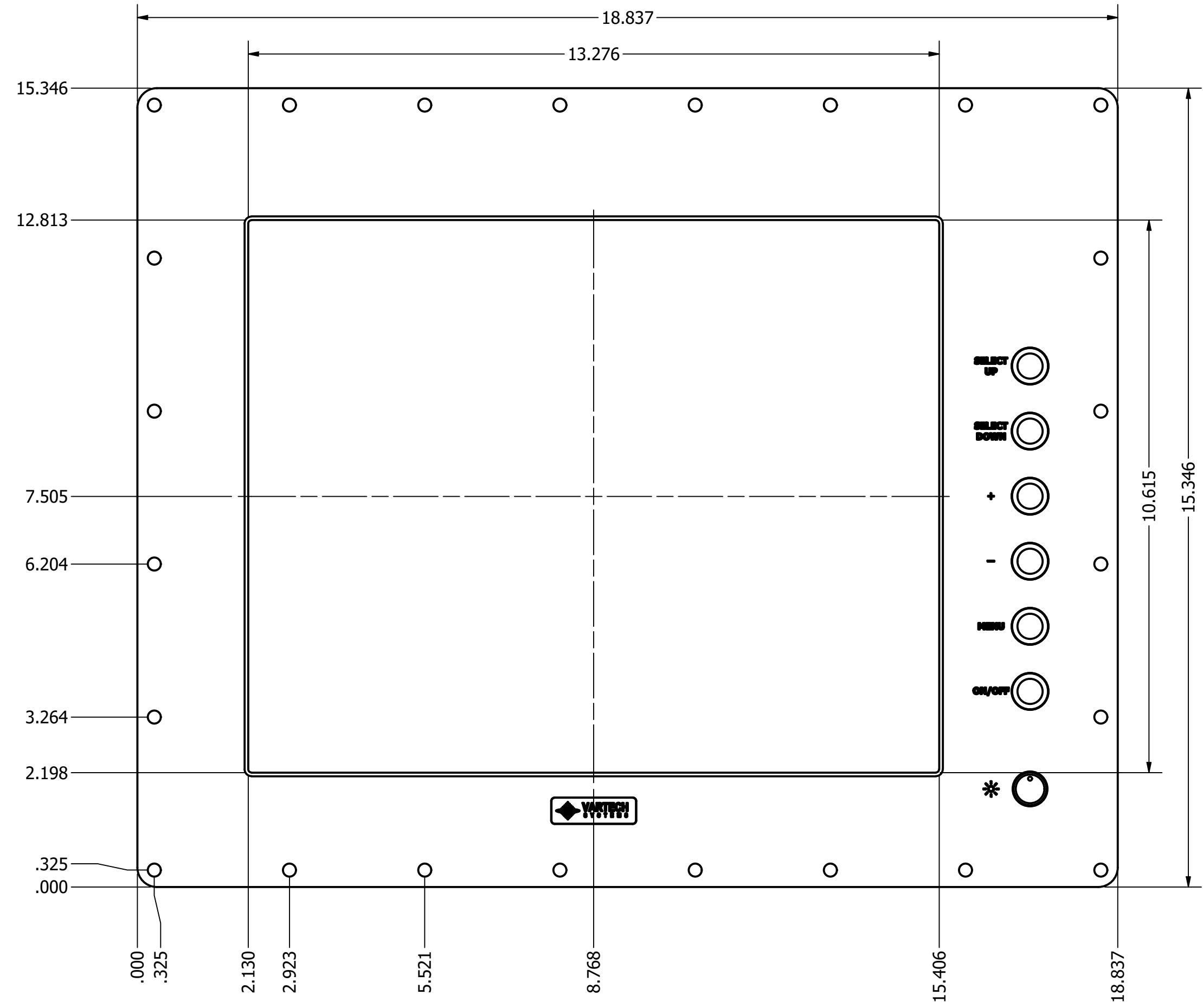


REVISION HISTORY			
REV	DATE	INITIAL	DESCRIPTION
0	11/14/2018	TAK	INITIAL RELEASE



DRAWN	TAK	12/14/2018	 <b>VARTECH SYSTEMS</b>			
CHECKED						
QA						
MFG						
APPROVED			TITLE <b>DISPLAY, BOTTOM EXIT CONNECTORS,          CONSOLE MOUNT EXTREME</b> ALL WEATHERVT170XB4			
USED ON	MATERIAL: Generic		SIZE D	TOLERANCES: .XX = .01 .XXX = .005	DWG NO <b>555-0003-003</b>	REV 0
APPLICATION			FINISH:			SHEET 1 OF 1