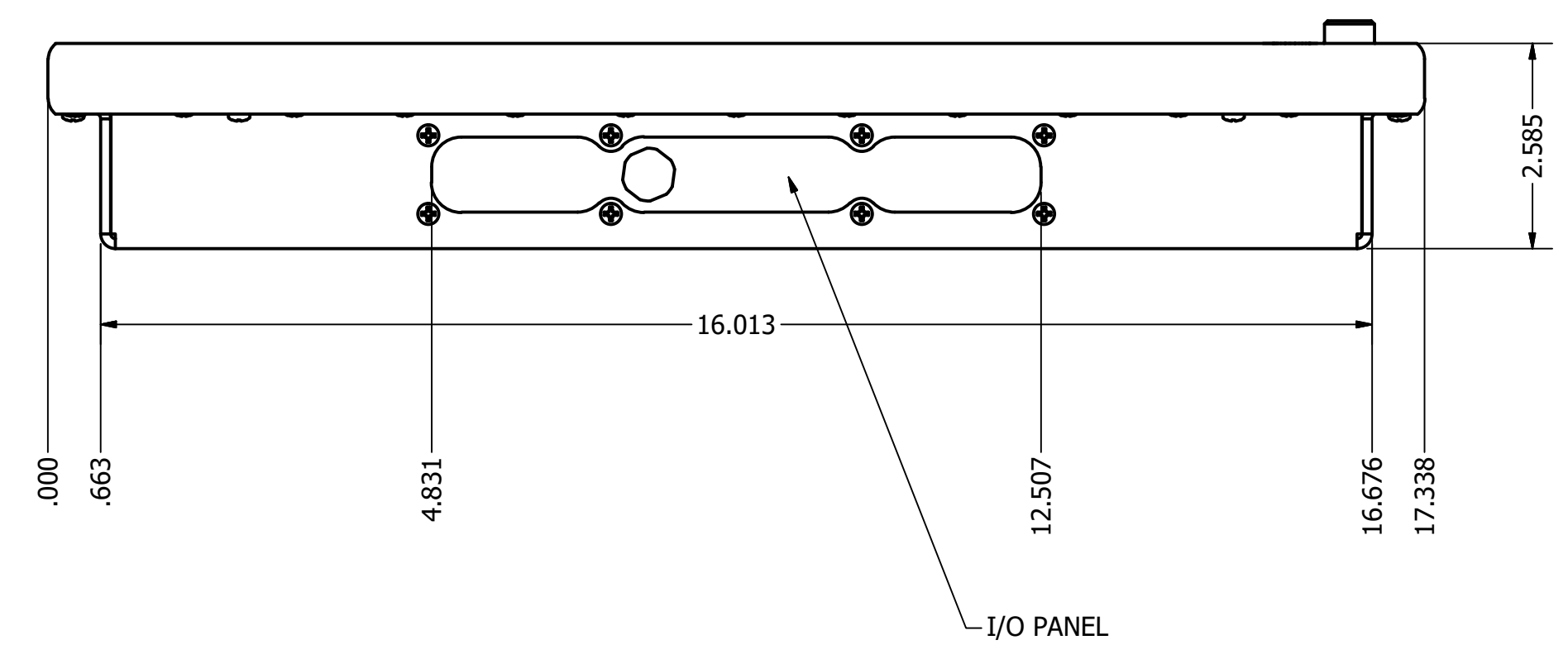
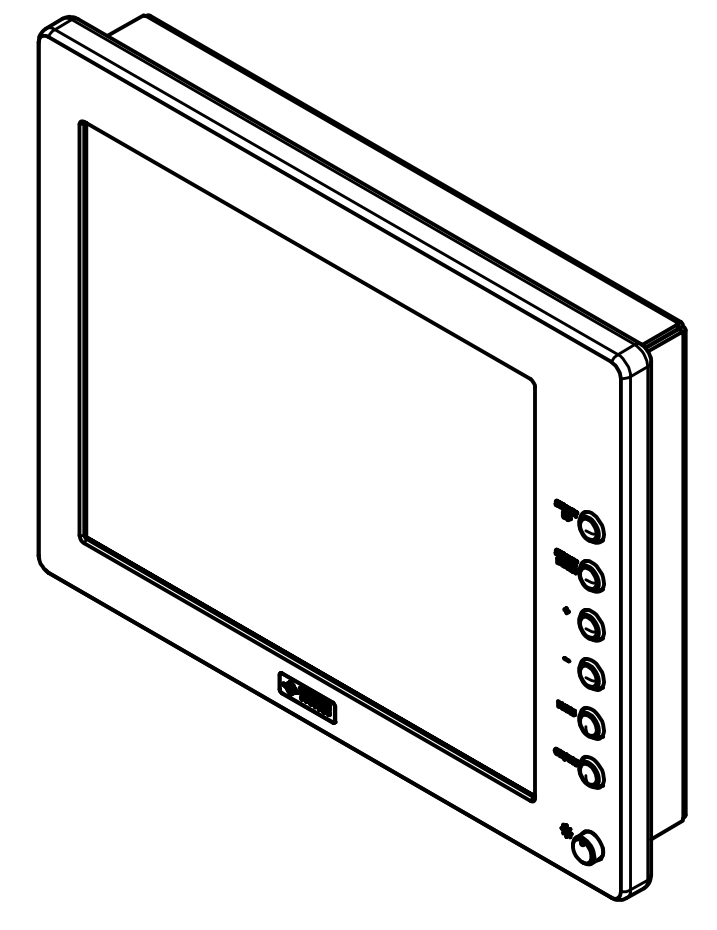
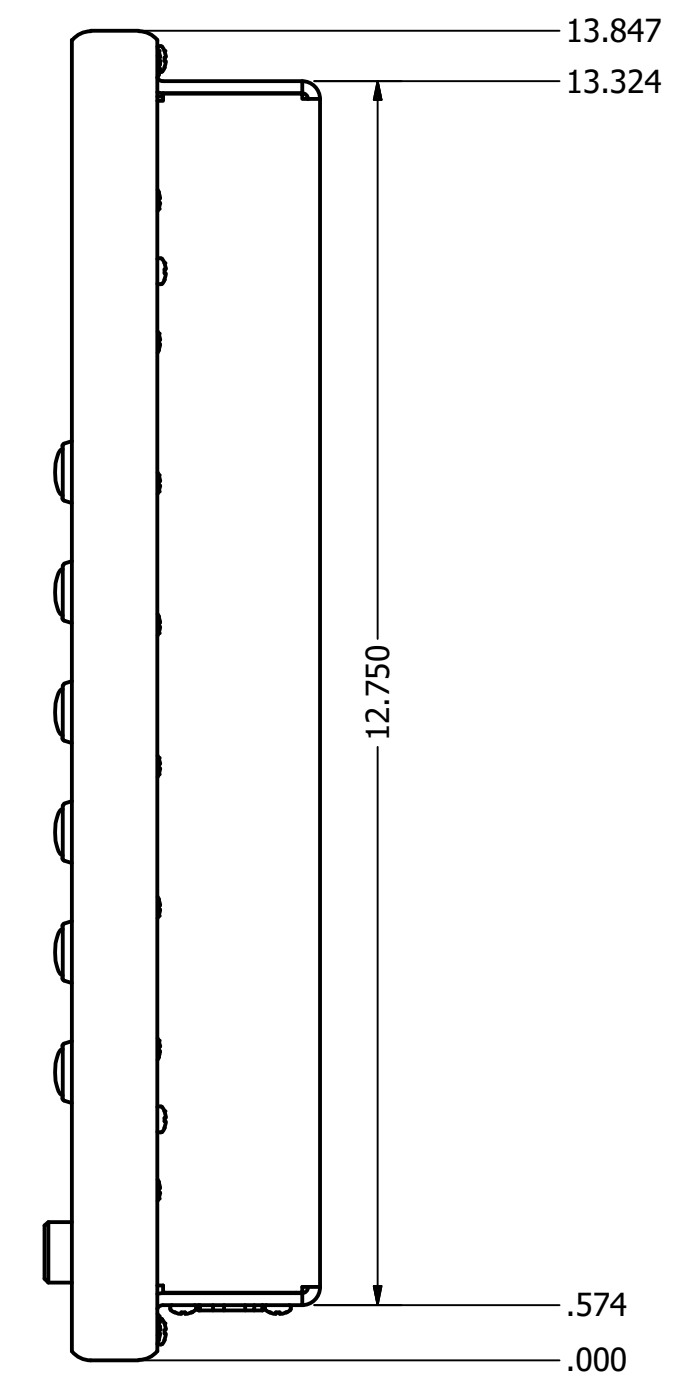
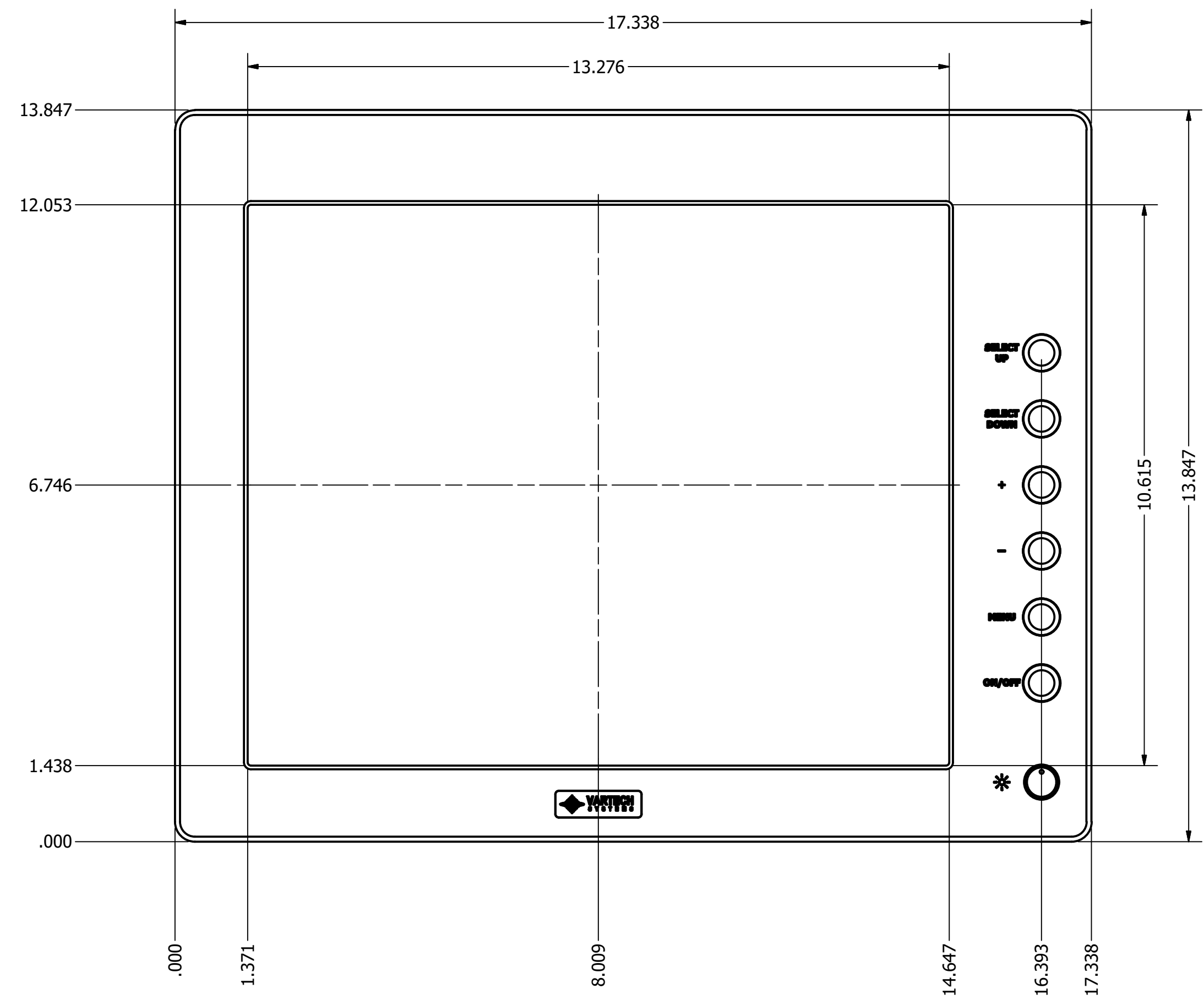



REVISION HISTORY			
REV	DATE	INITIAL	DESCRIPTION
0	11/21/2018	TAK	INITIAL RELEASE



DRAWN	TAK	11/21/2018	 VARTECH SYSTEMS			
CHECKED						
QA			DISPLAY ALL WEATHER VT170XB4			
MFG						
APPROVED						
USED ON	MATERIAL:		SIZE	TOLERANCES:	DWG NO	REV
APPLICATION	Generic		D	.XX = .01 .XXX = .005	555-0003-001 (VT170XB4)	0
FINISH:						SHEET 1 OF 1