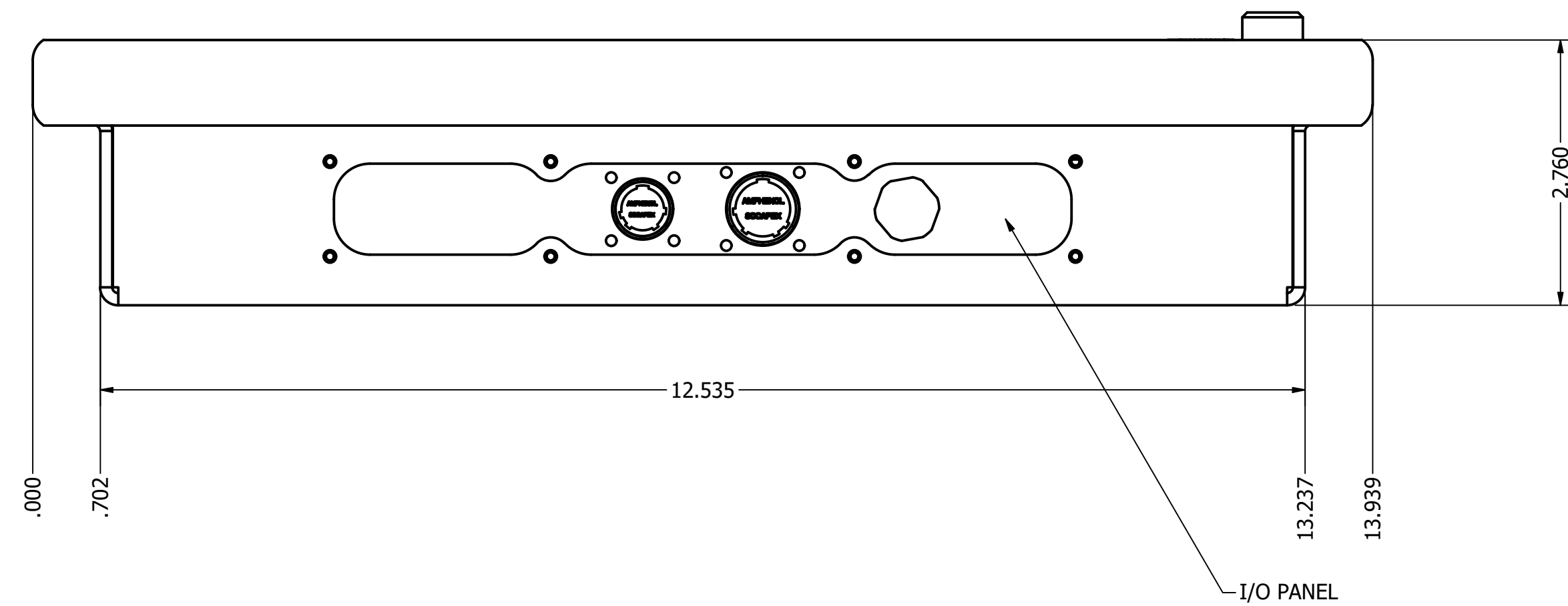
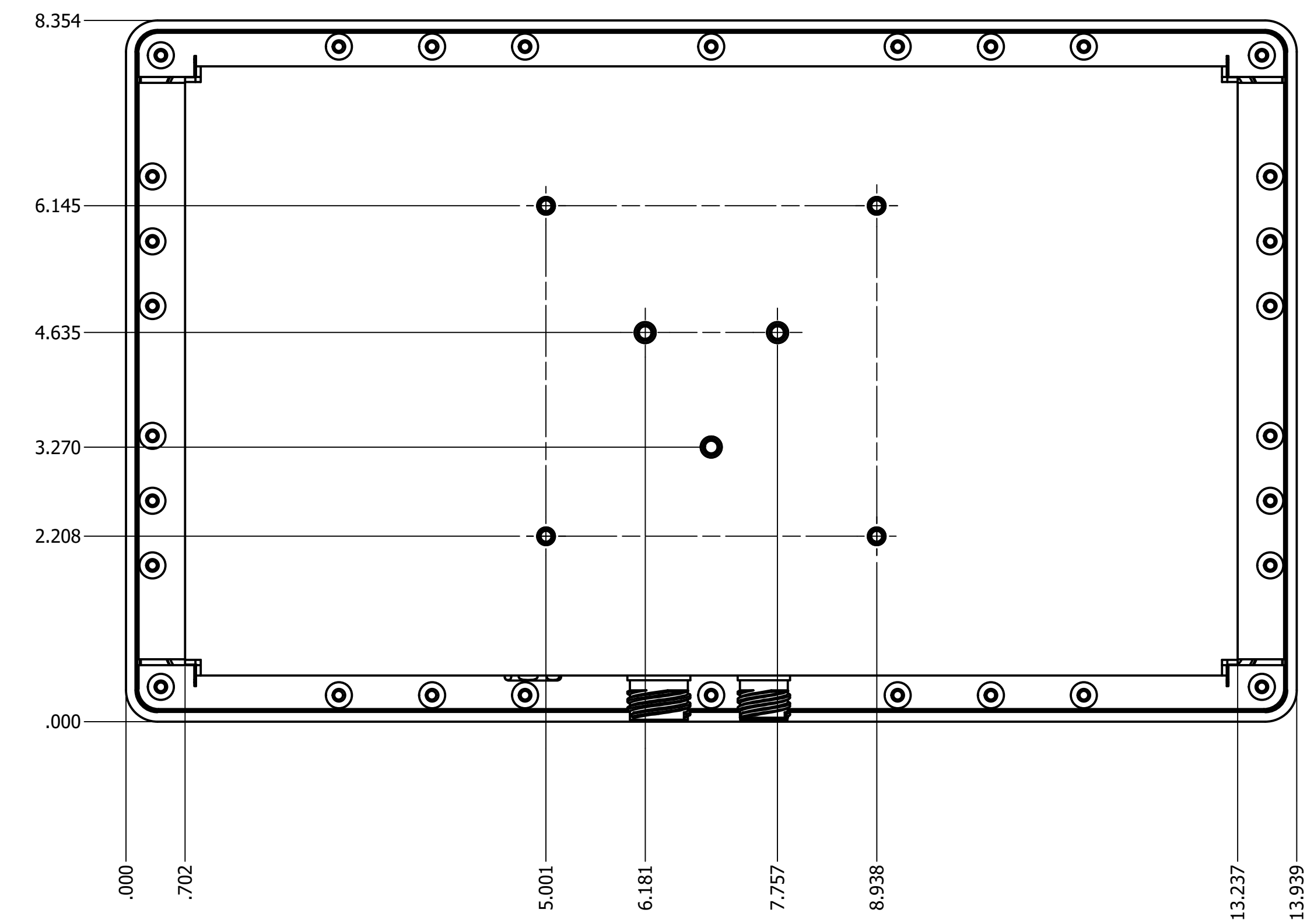
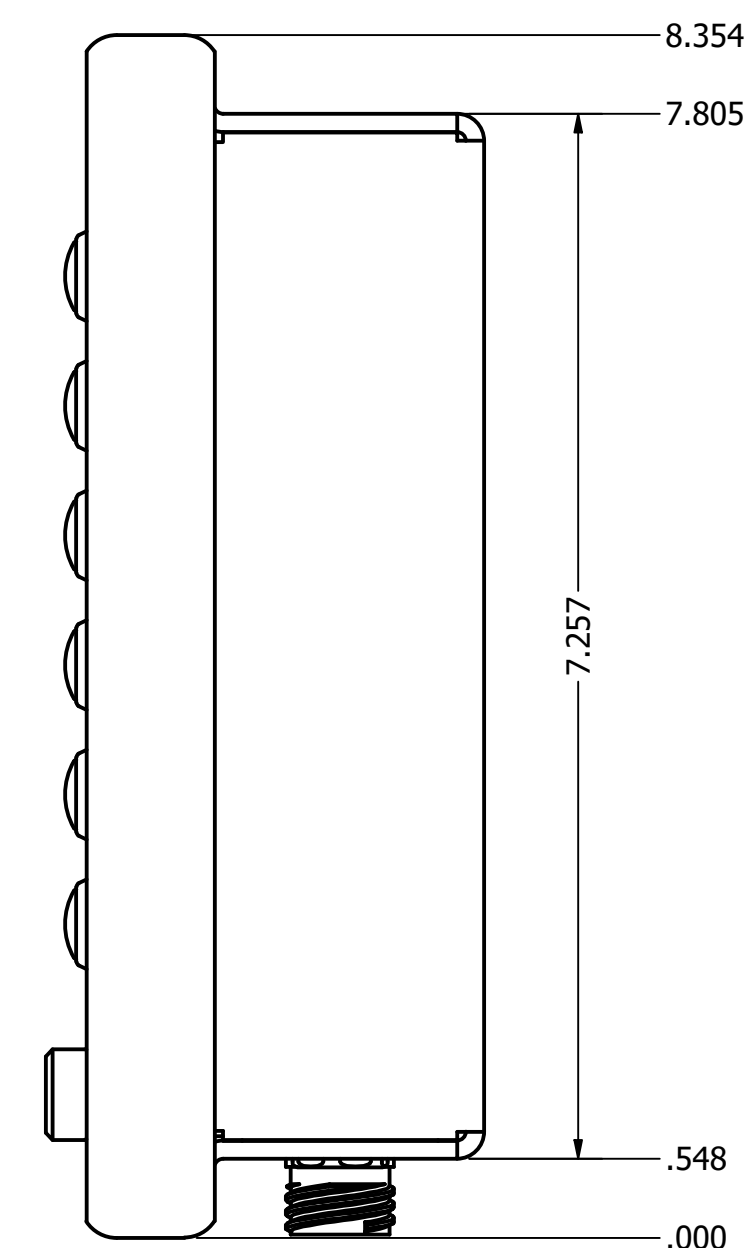
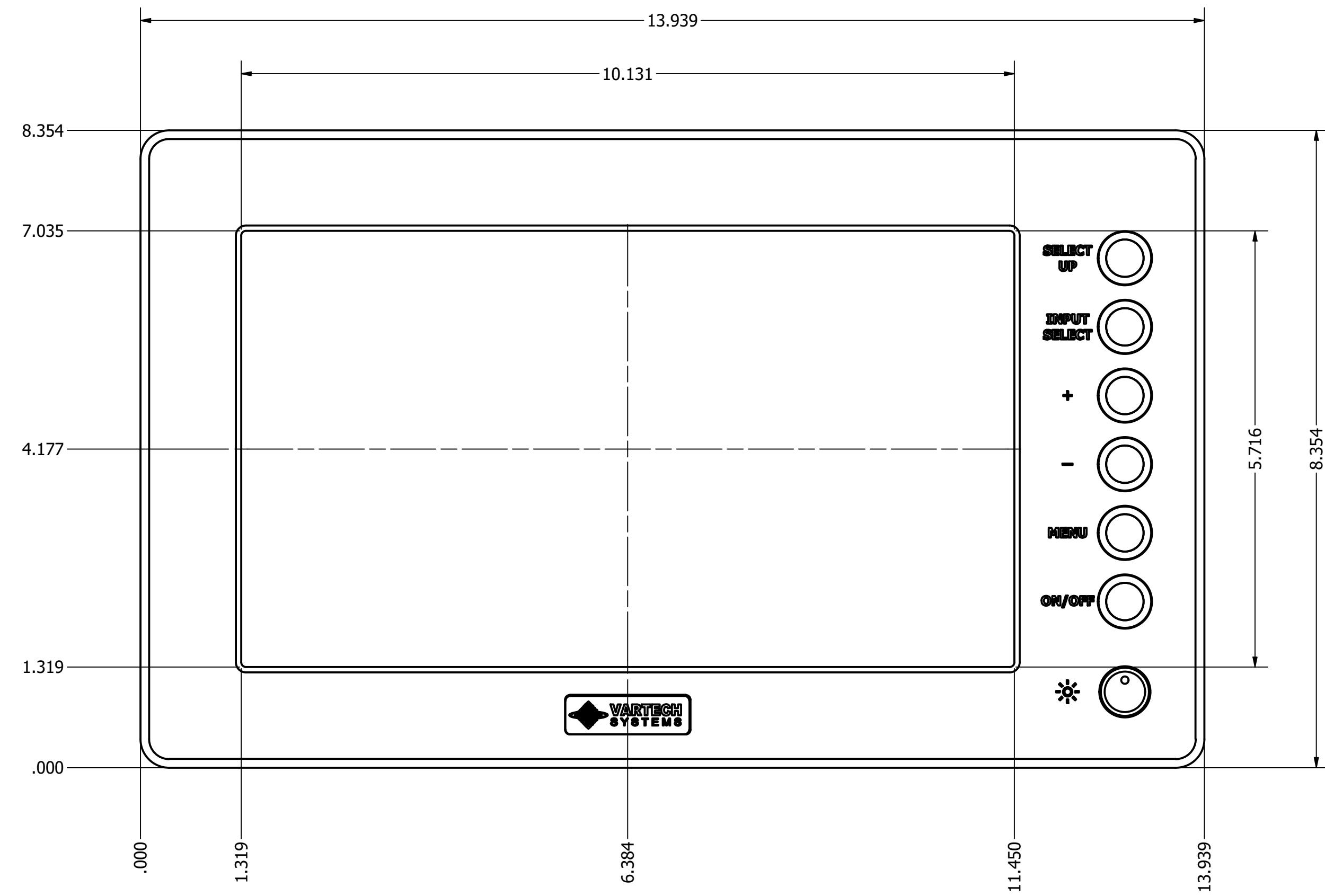
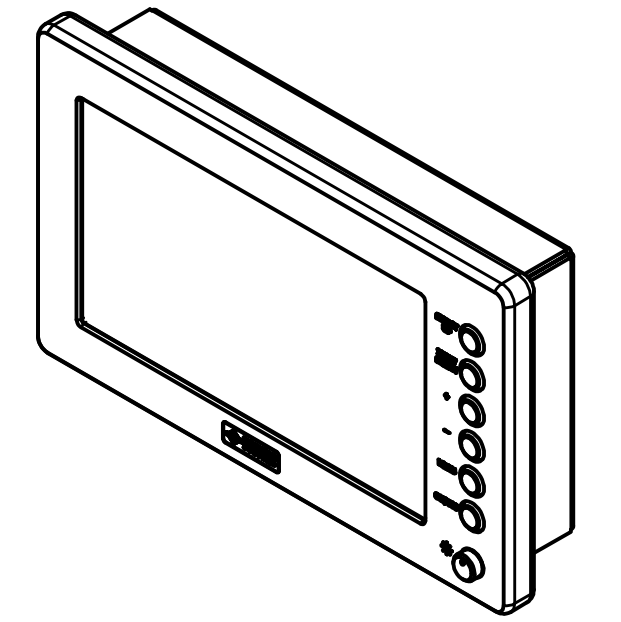


REVISION HISTORY			
REV	DATE	INITIALS	DESCRIPTION
0	11/8/19	TAK	RELEASED



NOTES:  
1.

DRAWN BY: TAK		10/9/2019			
USE WITH PRODUCT NUMBER					
MATERIAL & FINISH				TITLE	
				DISPLAY, BOTTOM EXIT CONNECTORS	
				ALL WEATHER, VT116XD4	
SHEET	SIZE	PART NUMBER	REV		
1 of 1	D	482-0759-001	0		
TOLERANCES: .XX=.01 .XXX=.005					