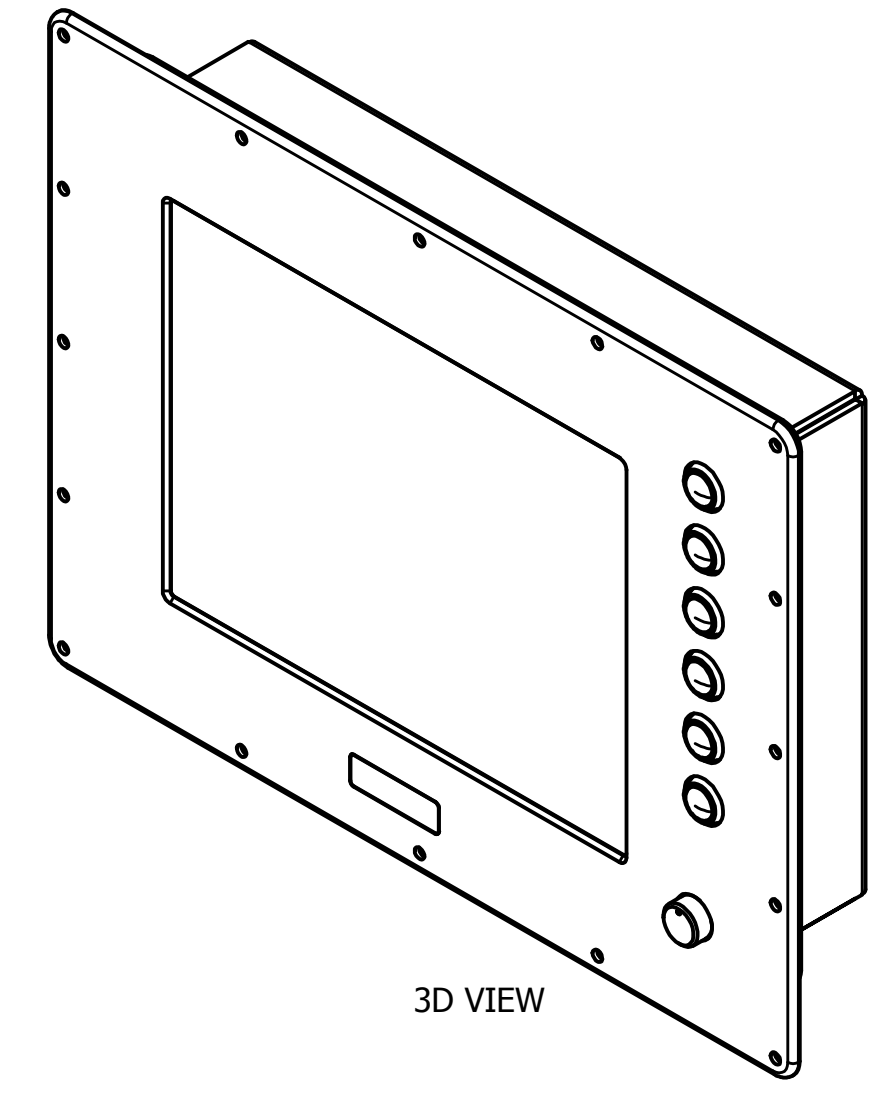
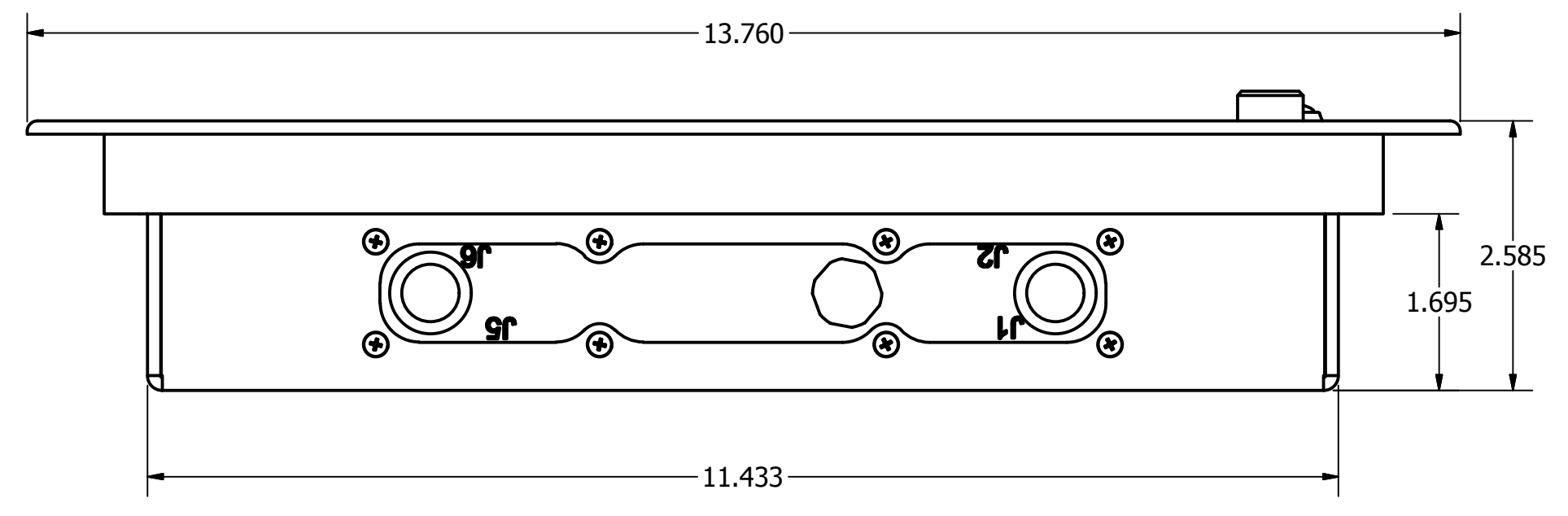
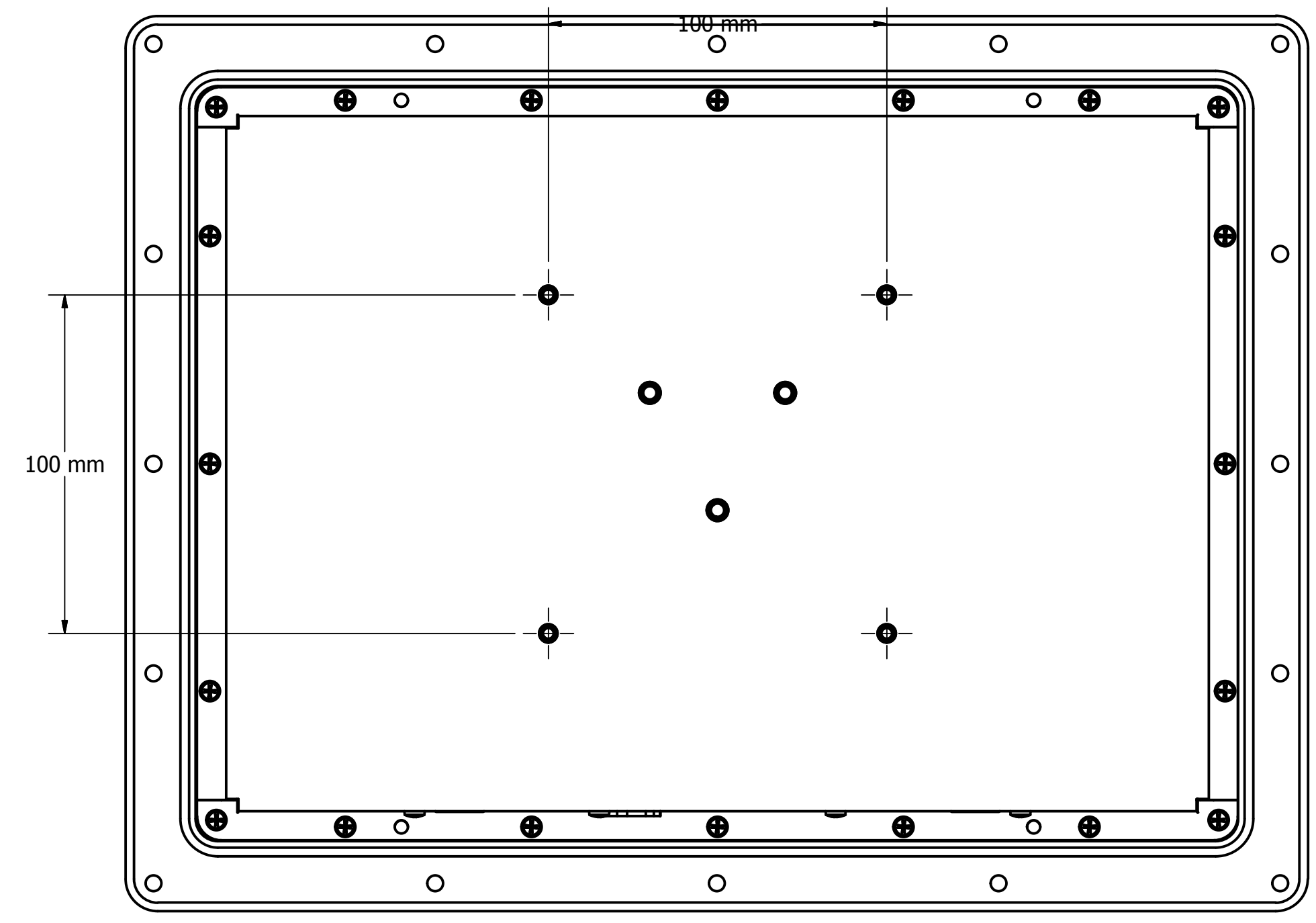
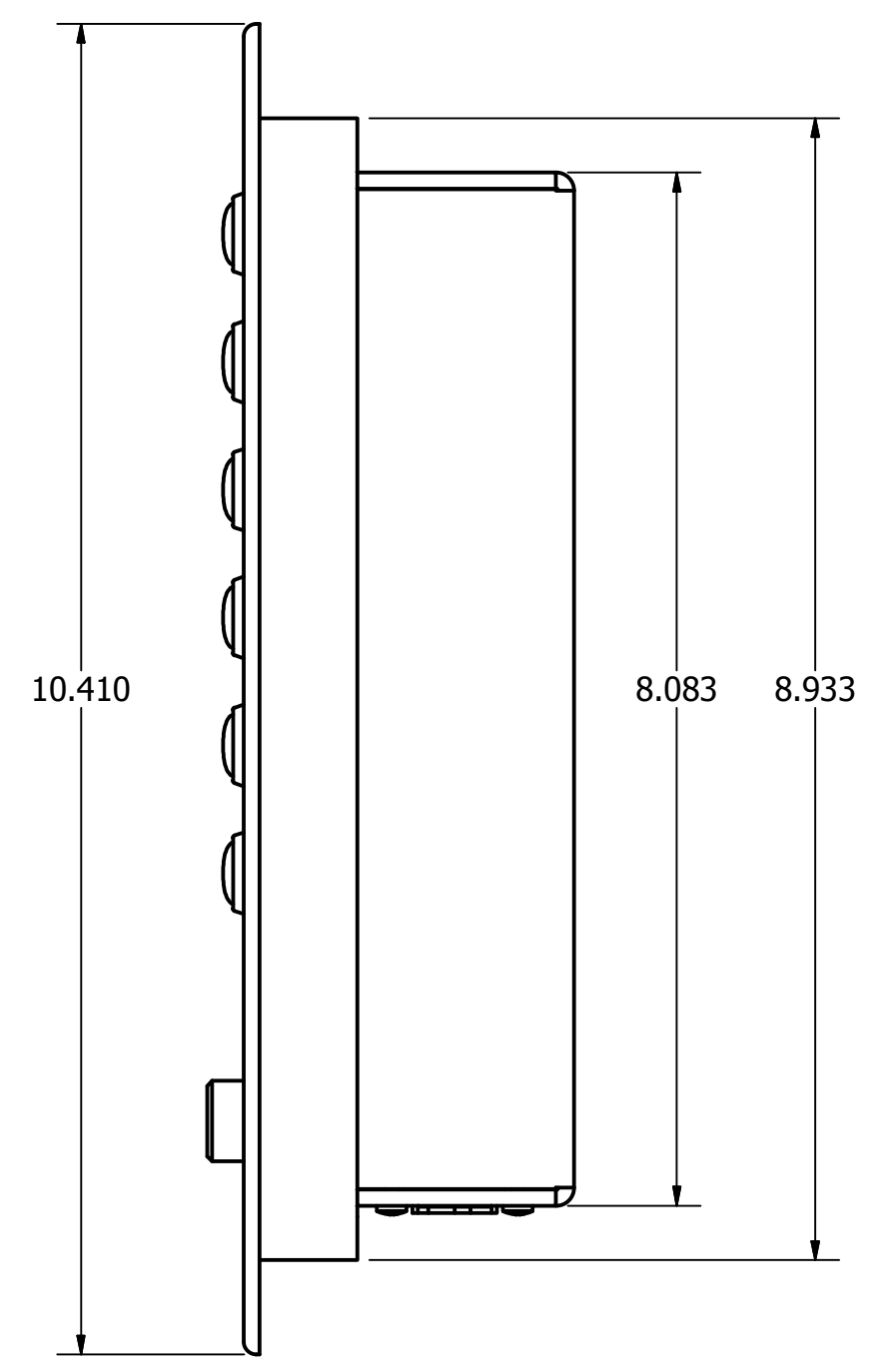
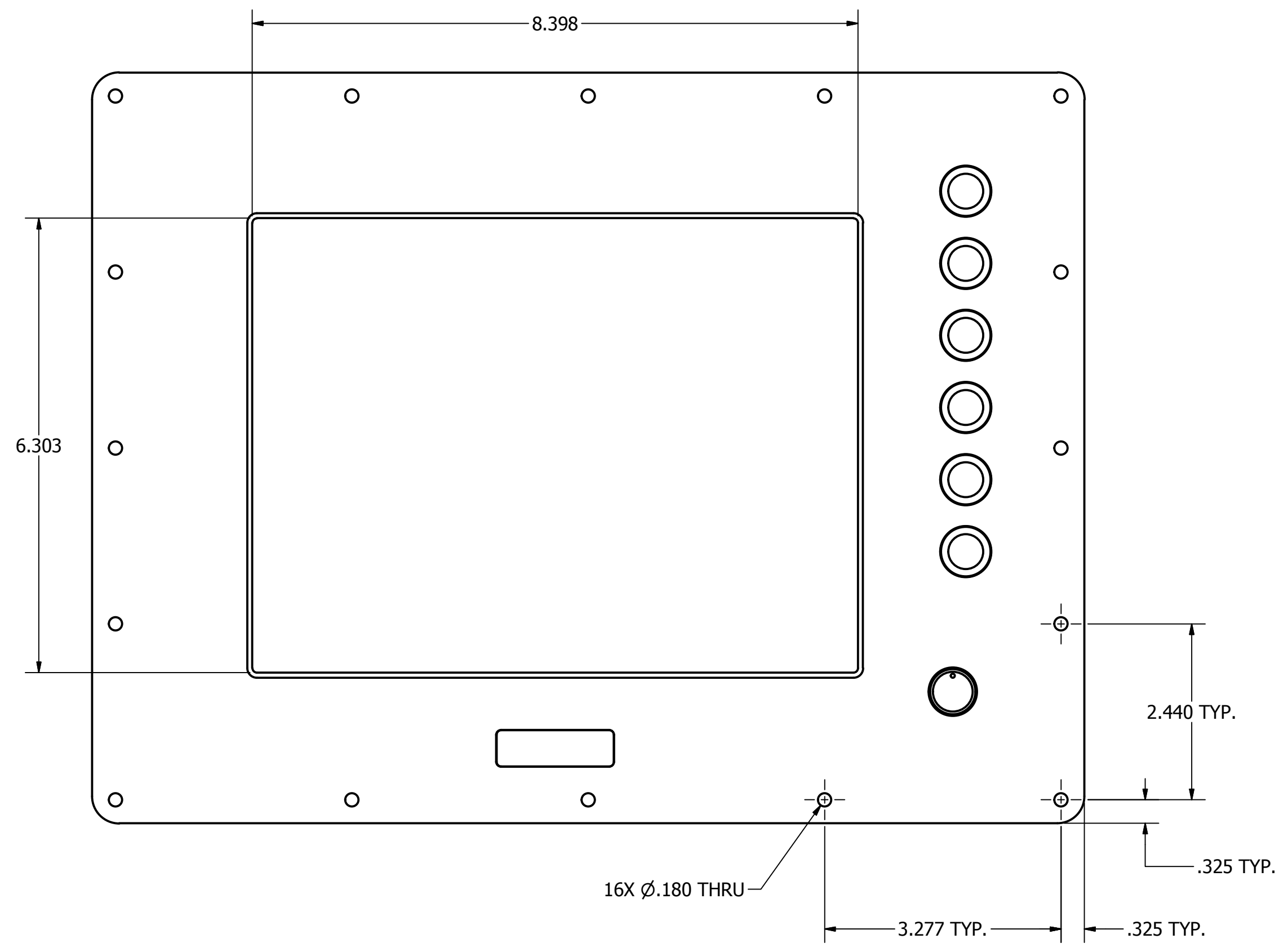


REVISION HISTORY			
REV	DESCRIPTION	INITIAL	DATE
1	NEW RELEASE	JAC	5/27/2010



DRAWN	ACarlton	5/27/2010	 VARTECH SYSTEMS			
CHECKED						
QA			TITLE			
MFG			OUTLINE DRAWING, AW, 10.4"			
APPROVED			SIZE	TOLERANCES:	DWG NO	REV
USED ON	MATERIAL:		D	.XX = .01 .XXX = .005	482-0073-00	1
APPLICATION			FINISH:			SHEET 1 OF 1