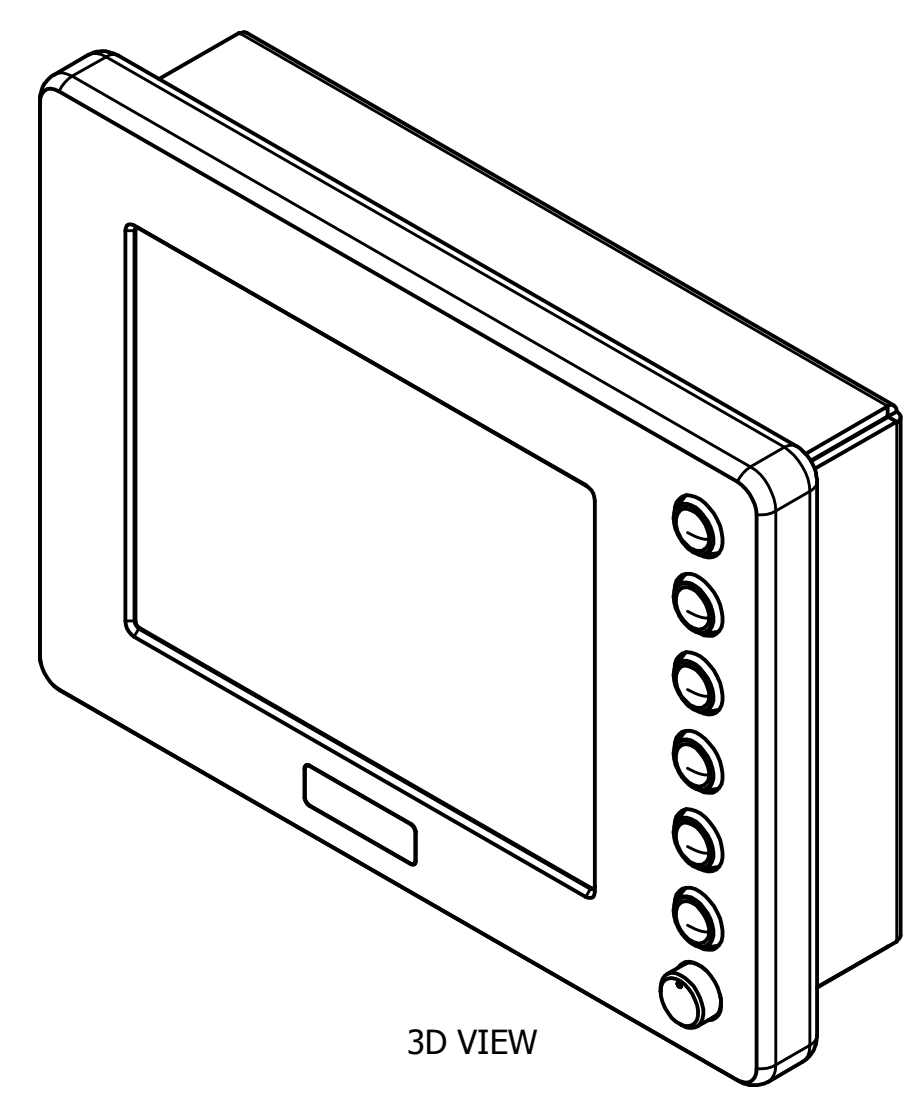
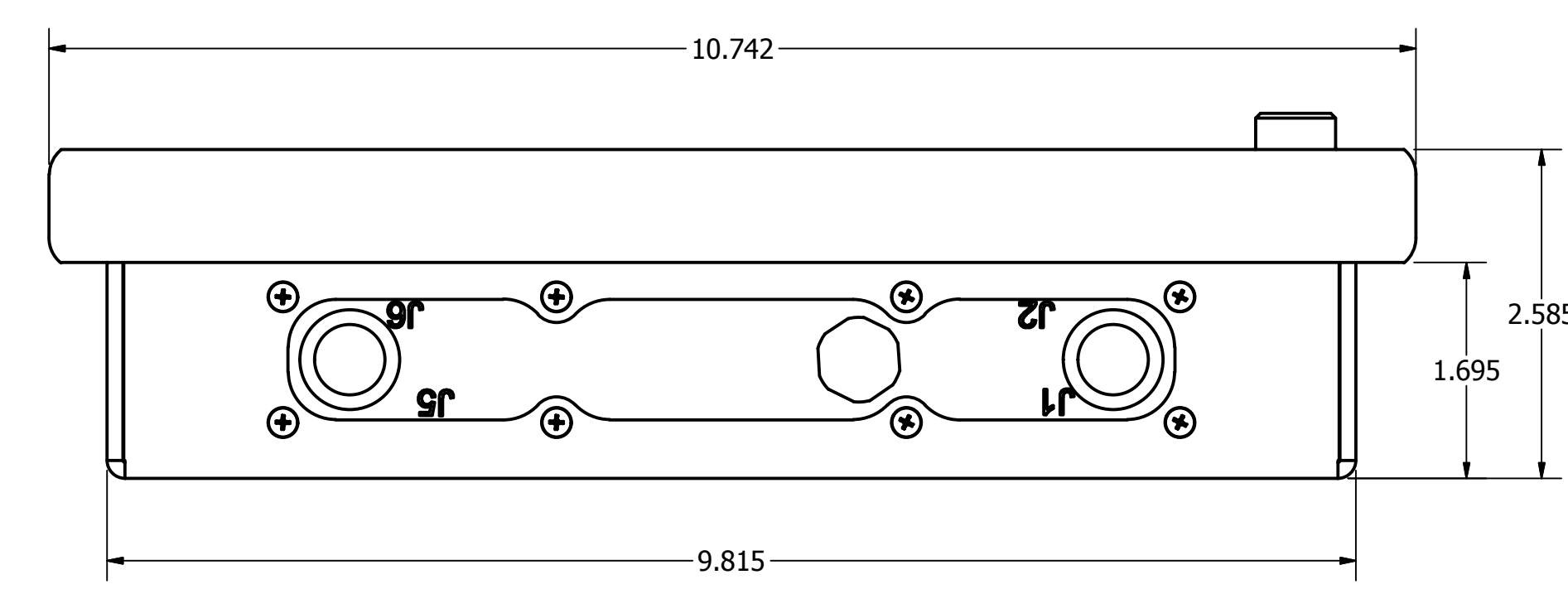
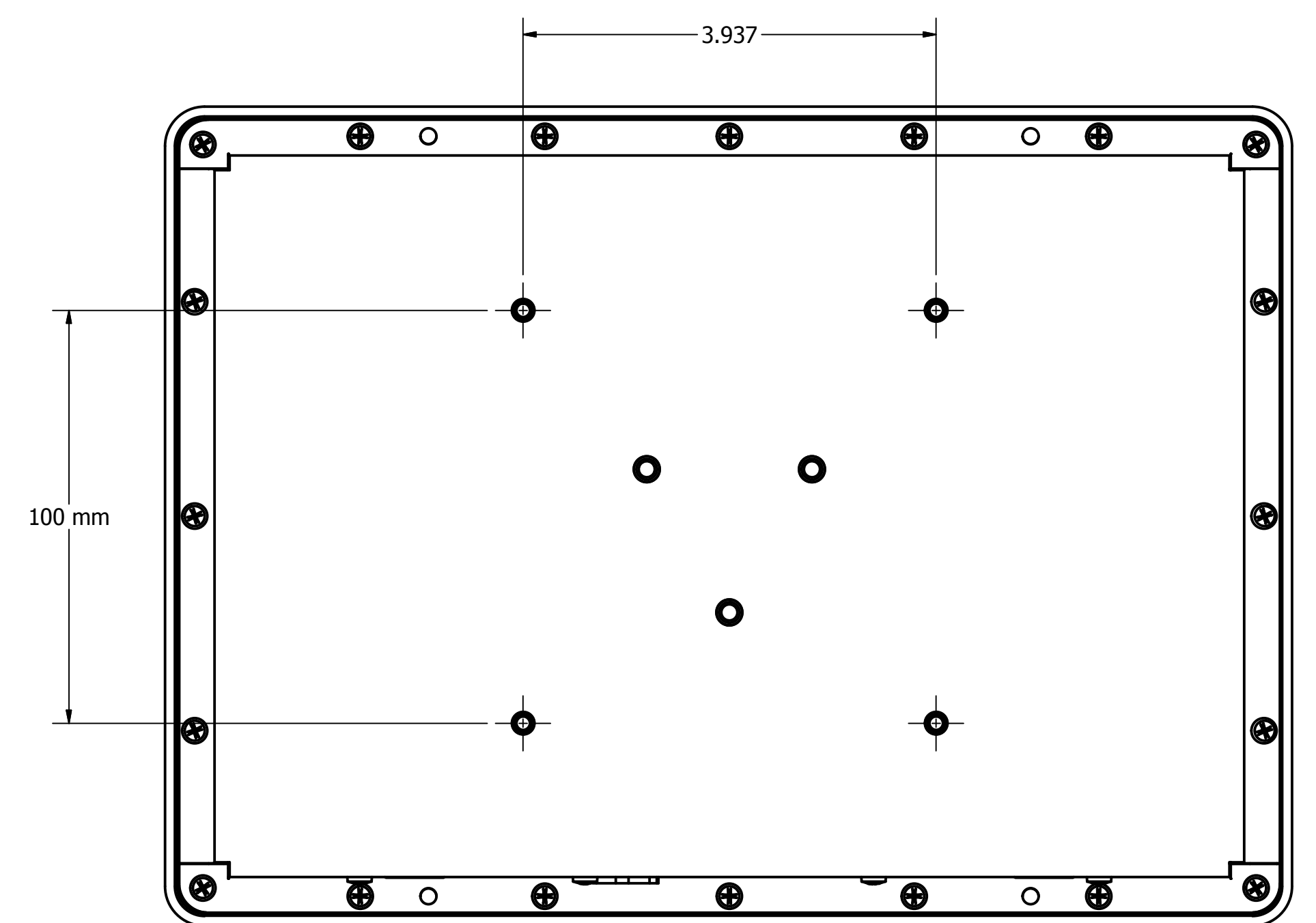
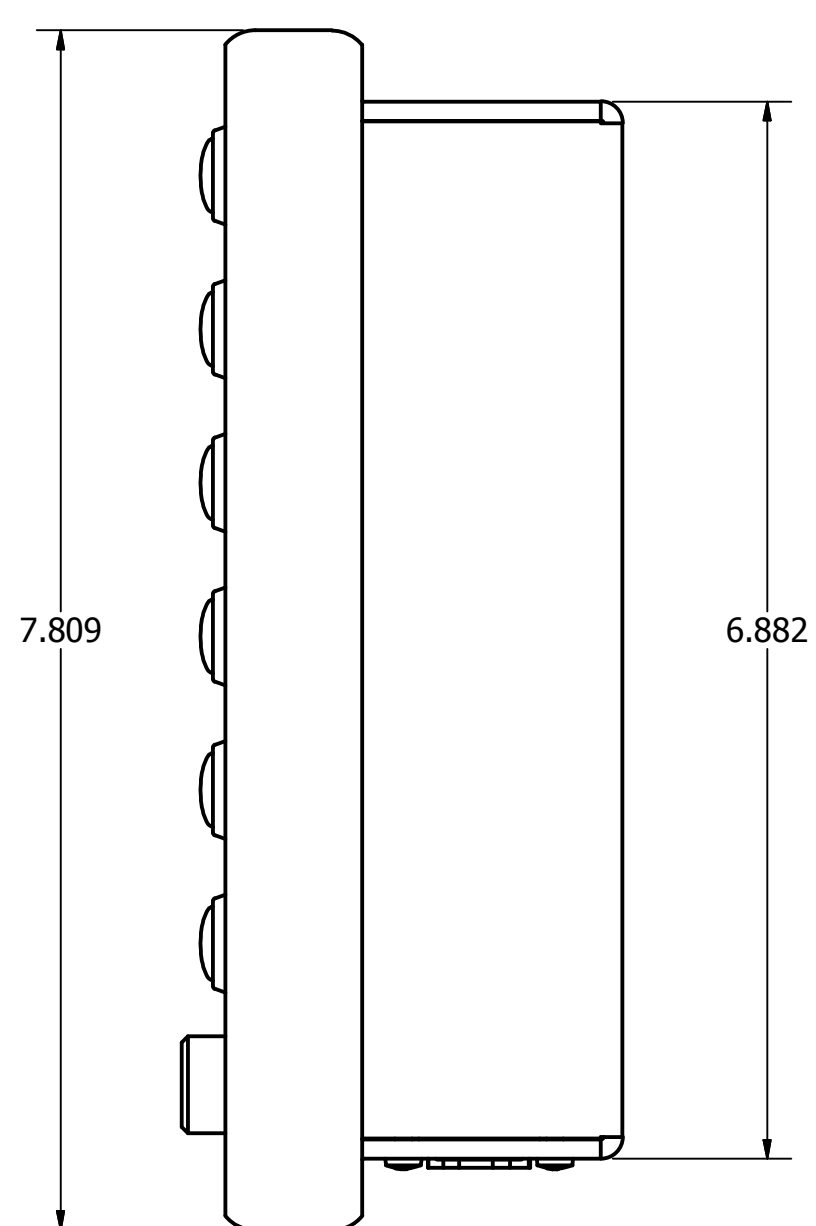
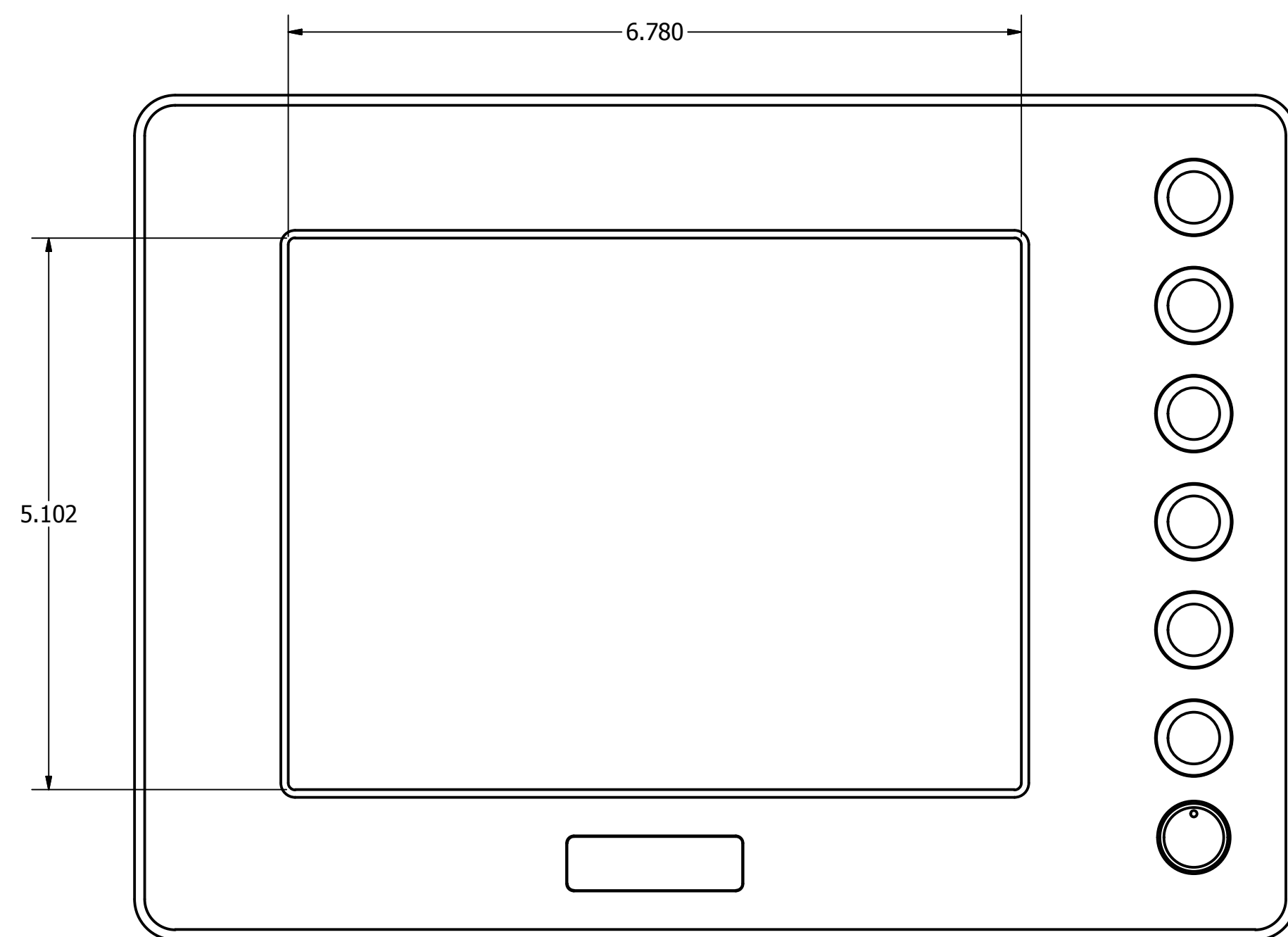


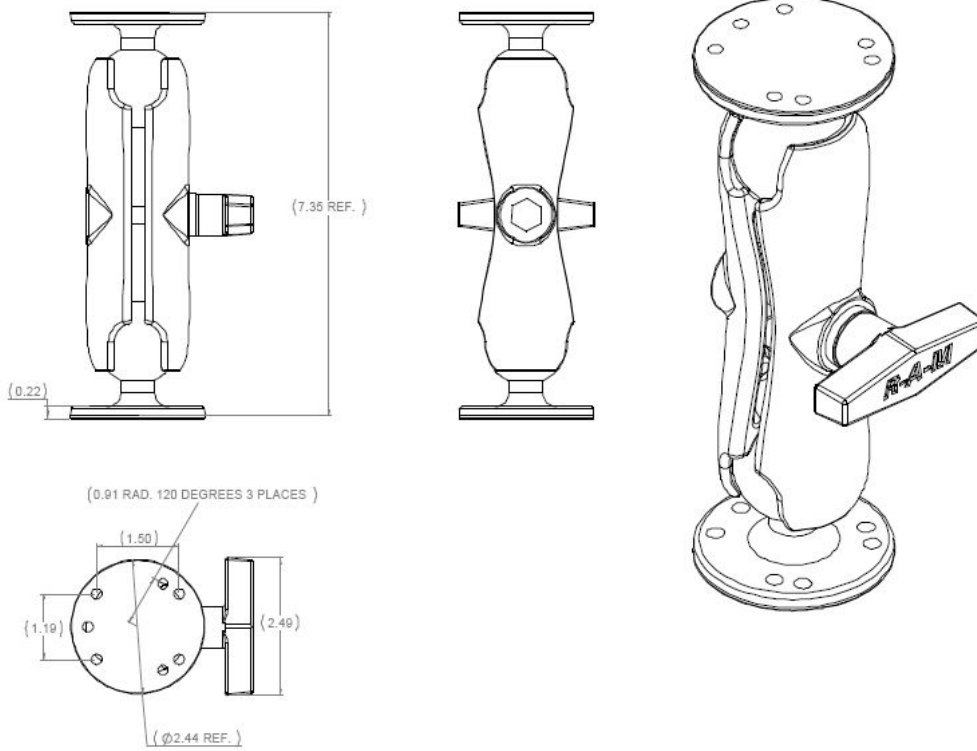
REVISION HISTORY			
REV	DESCRIPTION	INITIAL	DATE
1	NEW RELEASE	JAC	5/27/2010



3D VIEW

DRAWN	A Carlton	5/27/2010	 VARTECH SYSTEMS			
CHECKED						
QA			TITLE			
MFG			OUTLINE DRAWING, AW, 8.4"			
APPROVED			SIZE	TOLERANCES	DWG NO	REV
USED ON	MATERIAL:		D	.XX = .01 .XXX = .005	482-0066-00	1
APPLICATION			FINISH:			SHEET 1 OF 1

RAM Mount



Over 30 Years of Rugged HMI and Industrial Computer Manufacturing Experience