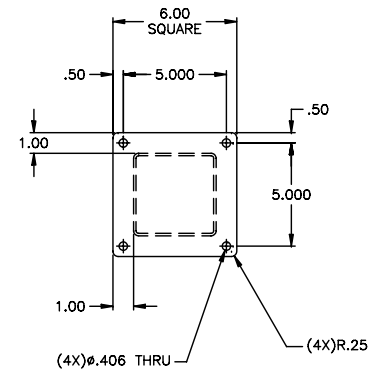
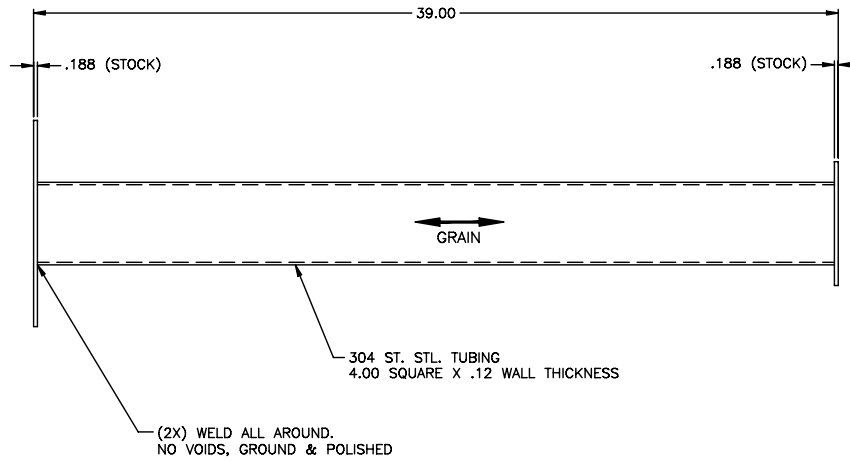
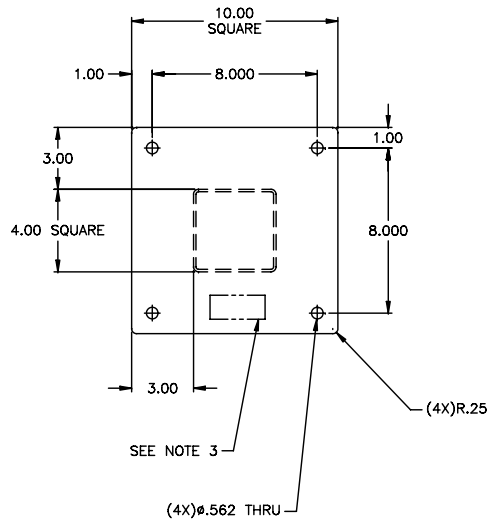


8 7 6 5 4 3 2 1

CHANGE HISTORY		
FILE INDEX	DESCRIPTION	APPROVAL INITIAL DATE
1	PRELIMINARY RELEASE	



NOTES:

- 1- REMOVE ALL BURRS AND SHARP EDGES, NO STEP NOTCH MARKS. ALL EXPOSED EDGES TO BE BROKEN.
- 2- FINISH: ALL WELDING TO BE FREE OF VOIDS AND GROUND & POLISHED. #3 GRAINED & POLISHED FINISH AS SHOWN. PASSIVATE
- 3- MARK COMPLETE PART NO. & LATEST REV LEVEL NEARSIDE (210-0998-001 REV 1).

ITEM	QTY	MFR. PT.NO.	DESCRIPTION	SYM/NOTE
LIST OF MATERIALS				
UNLESS OTHERWISE SPECIFIED DIMENSIONS ARE IN INCHES AND APPLY BEFORE FINISH		DRAWN DATE		 VARTECH SYSTEMS
SURFACE ROUGHNESS .125/ TOLERANCE ON		RVJ 07/26/06		
FRACTIONS DECIMALS ANGLES		CHECKED		
± 1/2 ±.005 ± 1/2		DRAFTING		
MATERIAL		ENGINEER		PEDESTAL - SQUARE VT150WKS
304 ST STL		MANUF		
FINISH #3 GRAINED FINISH PASSIVATE		APPROVED		
VT150WKS	USED ON	APPLICATION	QA	REV 1
SCALE 1 : 3			DWG NO. 210-0998	SHEET 1 OF 1

8 7 6 5 4 3 2 1

FILE NUMBER: 2100998-R1