

VTPSA

Heavy Duty Swing Arm Display Mount

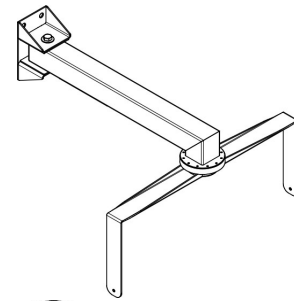
The VarTech manufactured heavy duty swing arm mount with a swivel gimbal mount.

Features:

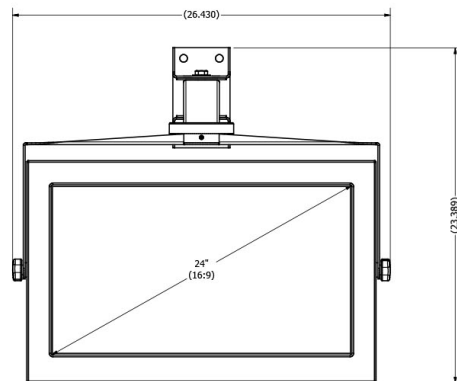
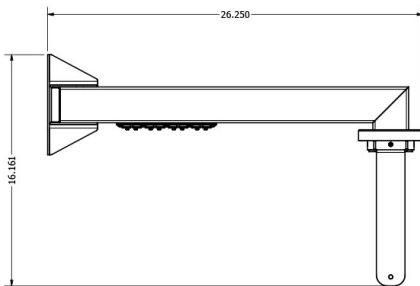
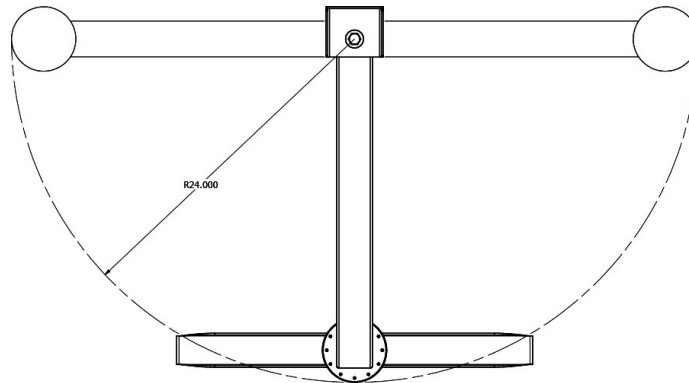
- The monitor arm is extremely durable, made of powder coated stainless steel
- Various arm lengths available
- Cable management keeps cables tucked beneath the monitor arm
- Monitor swing mechanism has range of 180 degrees
- Displays mounted with a swivel gimbal mount
- Gimbal mounts are available for various size displays



24" arm length shown with gimbal mount.



Mechanical Drawings:



Gimbal mount measurements shown for a 24" display.

Over 30 Years of Rugged HMI and Industrial Computer Manufacturing Experience